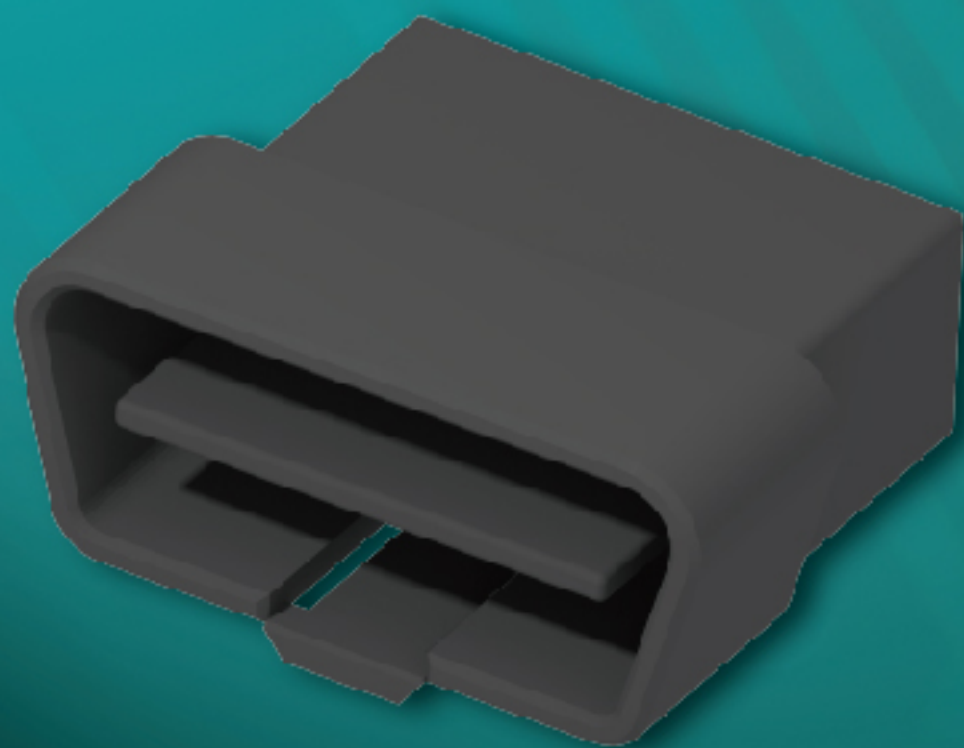


New Products

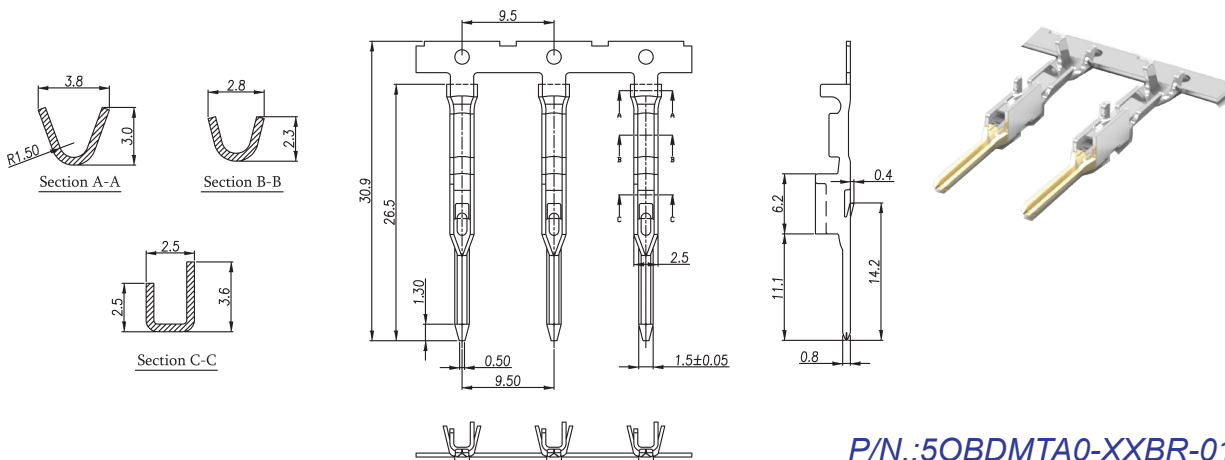
11-4~11-6

• OBD II Connectors



AMTEK Technology Co., Ltd

OBD II Crimp Terminal

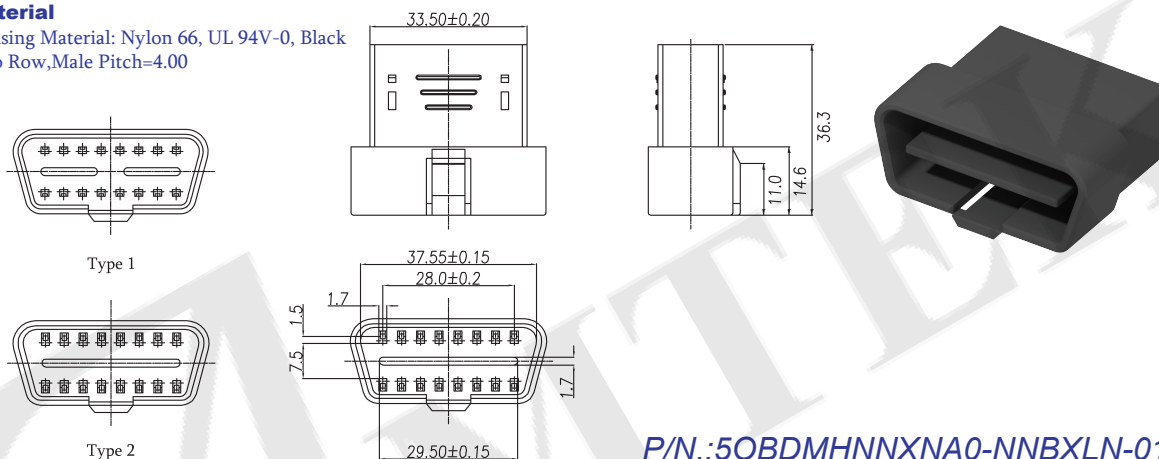


P/N.:5OBDMTA0-XXBR-01

OBD II Housing Crimp Type 16P

Material

Housing Material: Nylon 66, UL 94V-0, Black
Two Row, Male Pitch=4.00



P/N.:5OBDMHNNXNA0-NNBXLN-01

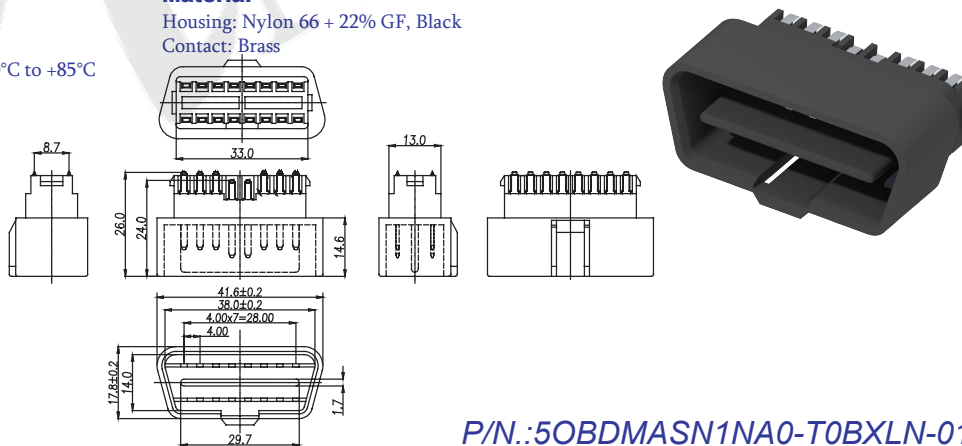
OBD II Solder Type Male 16P

Specifications

Current Rating: 4 AMP
Voltage: 30V
Operation Temperature: -40°C to +85°C

Material

Housing: Nylon 66 + 22% GF, Black
Contact: Brass



P/N.:5OBDMASN1NA0-T0BXLN-01

ORDER INFORMATION

5	O	B	D	M	T				A	0	-	X	X	B	R			-	0	1									
5	O	B	D	X	X	X	X	X	N	A	0	-	X	X	B	X	L	N	-	0	1								
MT: Male Terminal MH: Male Housing Only MA: Male With Terminal					1: Single Tongue 2: Dual Tongue					Series No.					NN: Non Plated S0: Selective Au SD: Selective Au 30u" T0: Tin Plated TM: Matte Tin					R: Tape & Reel X: Box					L: RoHS+Nylon 66				
										B: Brass For Terminal Only B: Black For Connector Only																			



OB
BD II

ROHS

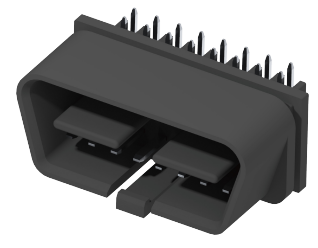
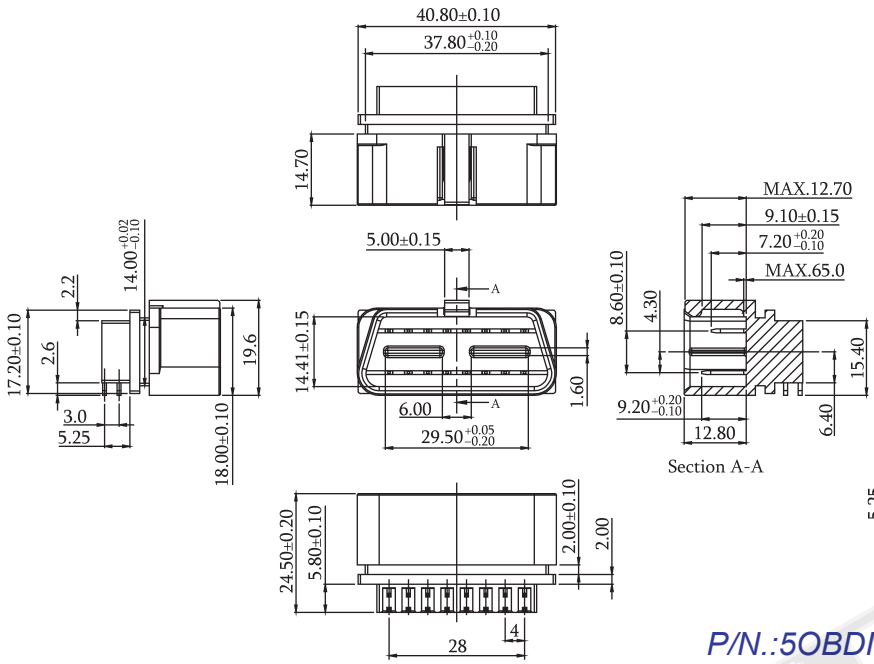
OBDD II Dip Right Angle Type Male 16P

Specifications

Operation Temperature: -40°C to +85°C

Material

Housing: PC EXL9330 Halogen Free (BK 1A068)
Contact: Brass



P/N.:5OBDMADR2LA0-T0BXLN-01

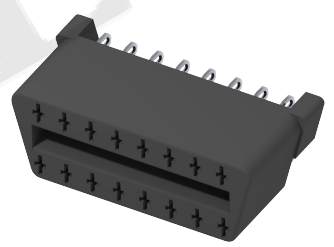
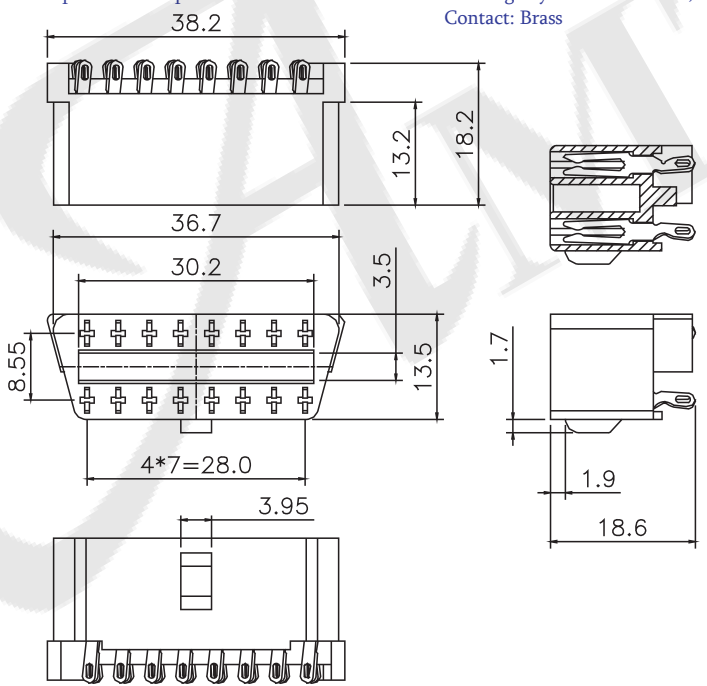
OBDD II Solder Type Female 16P

Specifications

Operation Temperature: -40°C to +85°C

Material

Housing: Nylon 66 + 15% GF, UL 94V-0, Black
Contact: Brass



P/N.:5OBDFASNNA0-T0BXLN-01

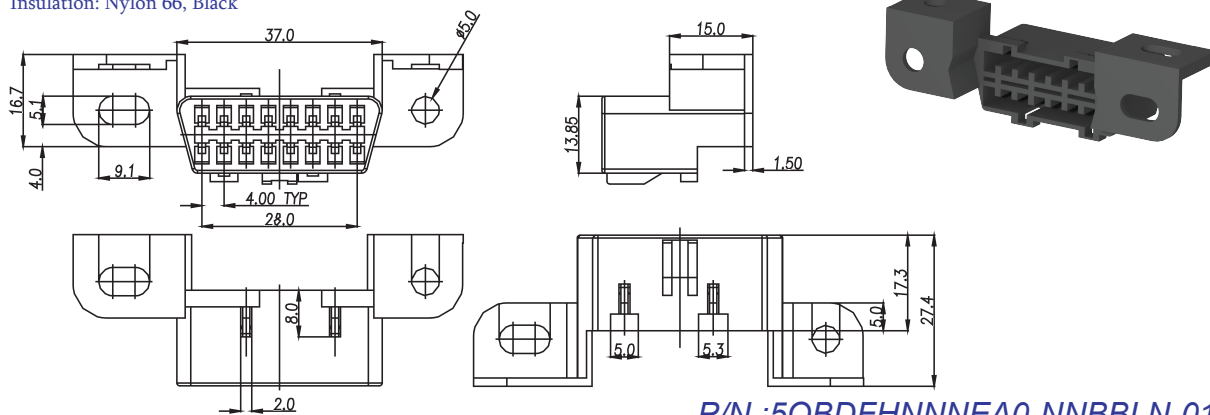
ORDER INFORMATION

5	O	B	D	X	X	X	X	X	X	A	0	-	T	0	B	X	L	N	-	0	1	
MA: Male With Terminal FA: Female With Terminal		N: W/O Tongue 2: Dual Tongue		Series No.		T0: Tin Plated		B:Black		X:Box		L:RoHS+Nylon 66										
DR: Dip R/A SN: Solder Type		N: Standard L: Housing With Latch																				

OB D II Housing Female Flags Mount Type 16P

Material

Insulation: Nylon 66, Black

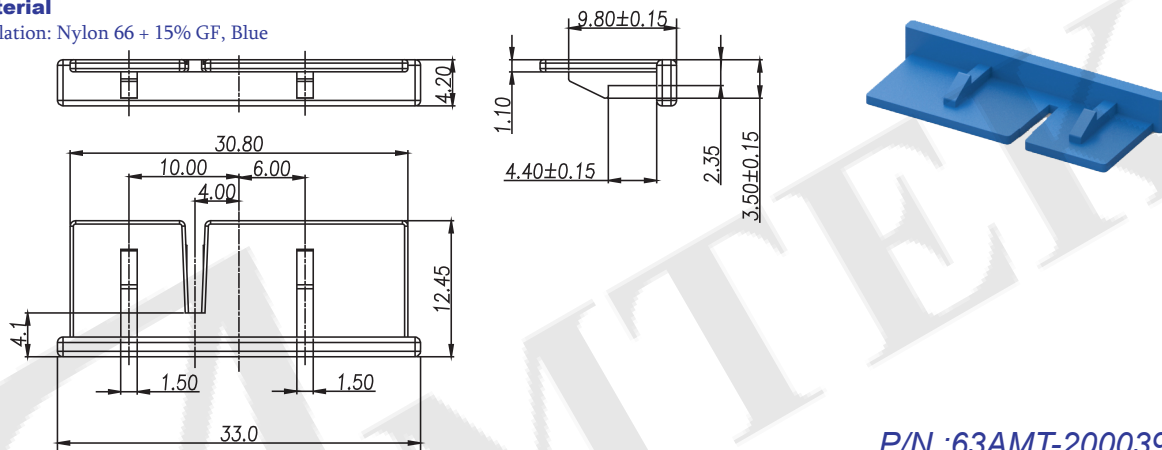


P/N.:50BDFHNNNEA0-NNBBLN-01

OB D II Positioning Pieces

Material

Insulation: Nylon 66 + 15% GF, Blue

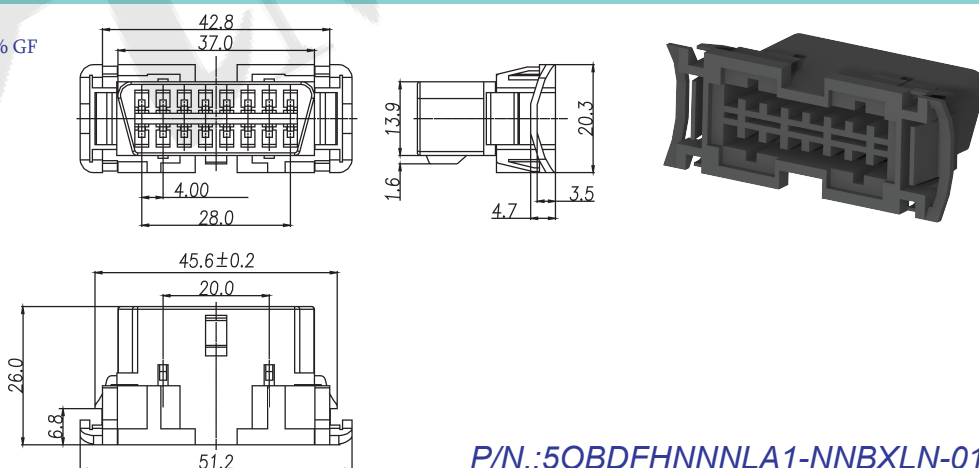


P/N.:63AMT-200039

OB D II Housing Female 16P

Material

Insulation: Nylon 66 + 15% GF



P/N.:50BDFHNNNLA1-NNBXLN-01

ORDER INFORMATION

5	0	B	D	F	H	N	N	N	X	A	X	-	N	N	B	X	L	N	-	0	1
FH: Female Housing					N: W/O Tongue			E: Female With Lock Hole L: Housing With Latch		Series No.		NN: Non Plated		B:Black	X:Box B:Bag		L:RoHS+Nylon 66				
NN: Housing Only																					