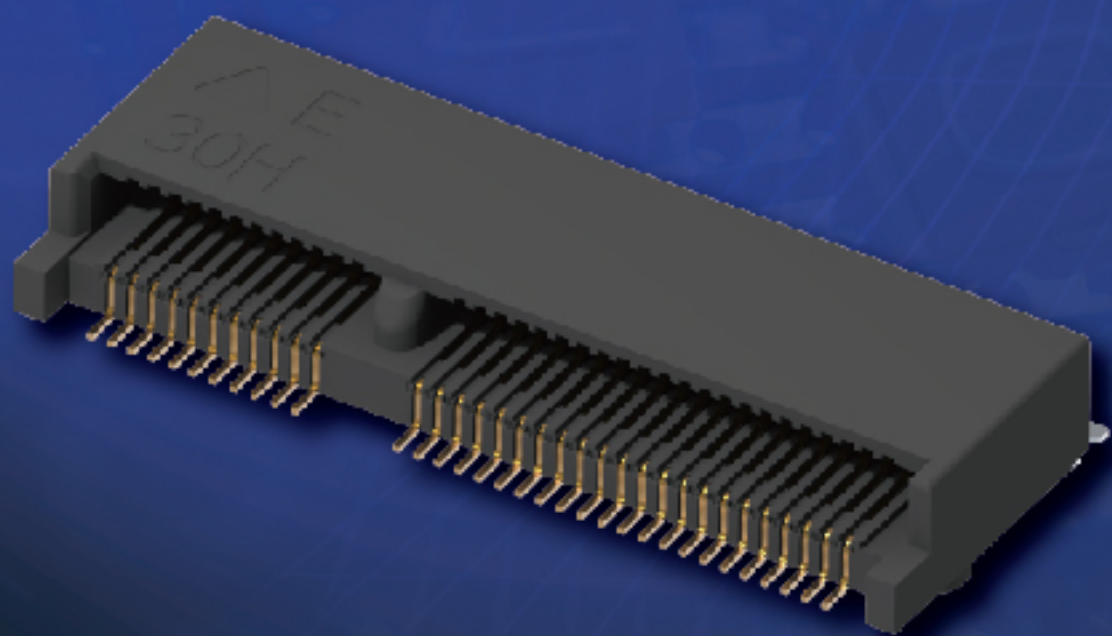


# M.2 Socket

---

7-12~7-15 • M.2 Socket



**AMTEK Technology Co., Ltd**

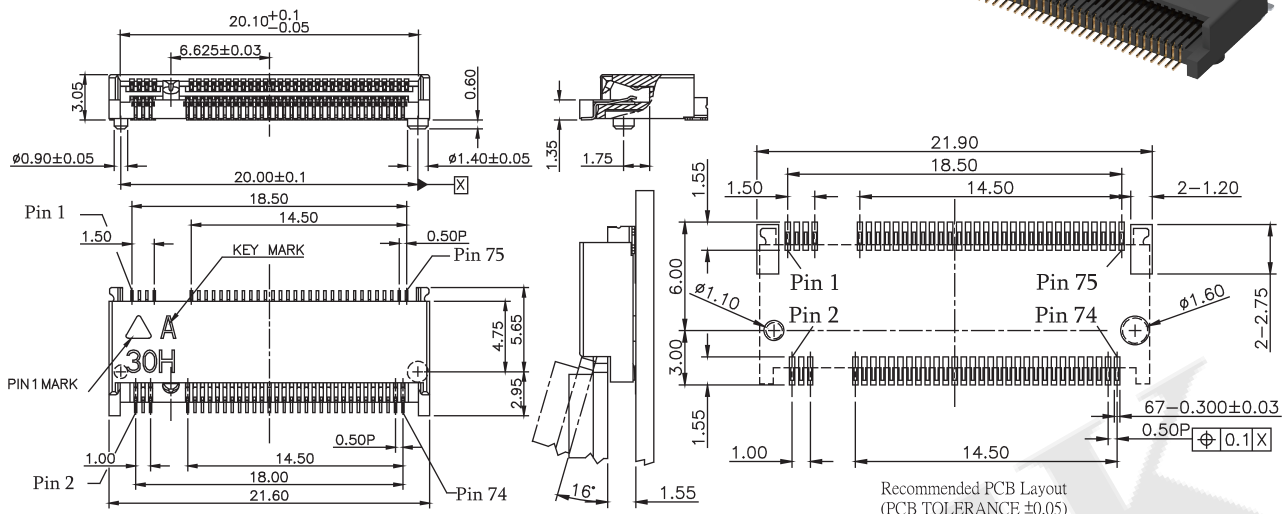
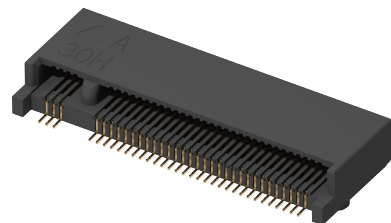
## M.2 Socket 0.5mm H=3.0mm A Key

### Specifications

Current Rating: 0.5 AMP  
 Contact Resistance: 50mΩ Max.  
 Insulation Resistance: 500MΩ Min.  
 Dielectric Voltage: 300V AC for one minute  
 Operation Temperature: -40°C to +80°C

### Material

Insulator: LCP, UL 94V-0, Black  
 Contact Pin: Phosphor Bronze



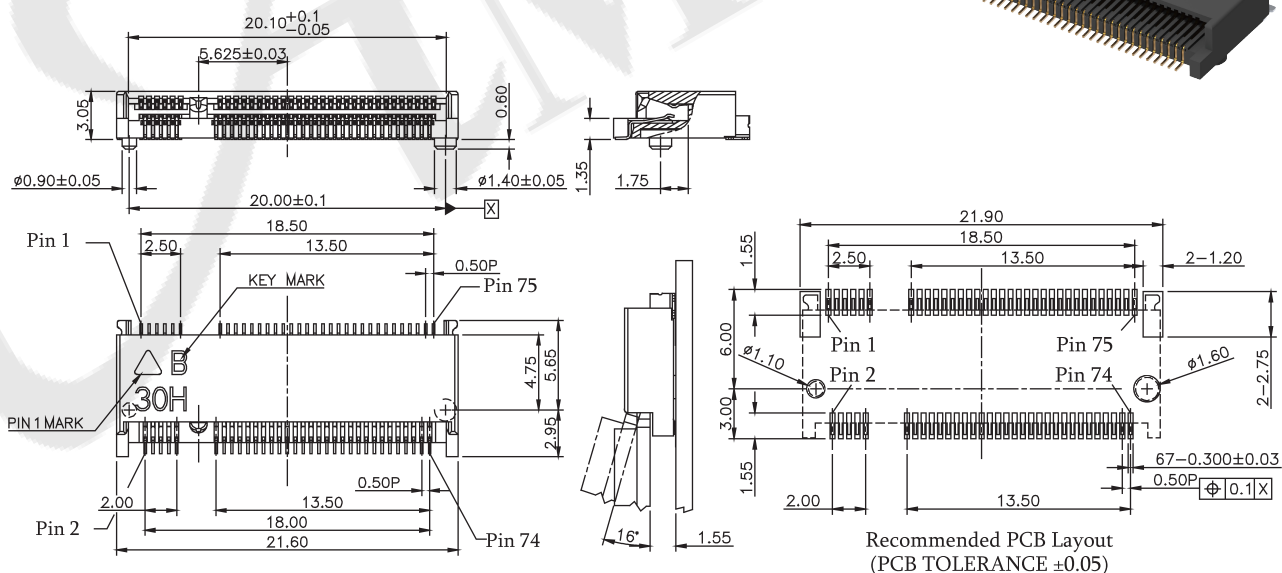
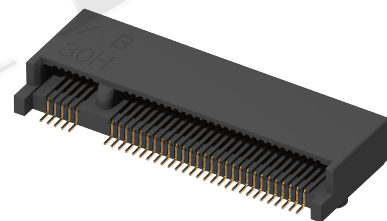
## M.2 Socket 0.5mm H=3.0mm B Key

### Specifications

Current Rating: 0.5 AMP  
 Contact Resistance: 50mΩ Max.  
 Insulation Resistance: 500MΩ Min.  
 Dielectric Voltage: 300V AC for one minute  
 Operation Temperature: -40°C to +80°C

### Material

Insulator: LCP, UL 94V-0, Black  
 Contact Pin: Phosphor Bronze



## ORDER INFORMATION

5	P	M	2	K	H	X	N	3	-	6	7	G	0	N	H	U	-	G	X
K: Pitch 0.5				H: SMT R/A		A: A Key B: B Key		Plastic Height 3:H=3.0mm		No. of Contacts		G0: Gold Flash		H: Tape & Reel, W/O Cap		U: RoHS + LCP		1: W/O Accessories 2: With Accessories	



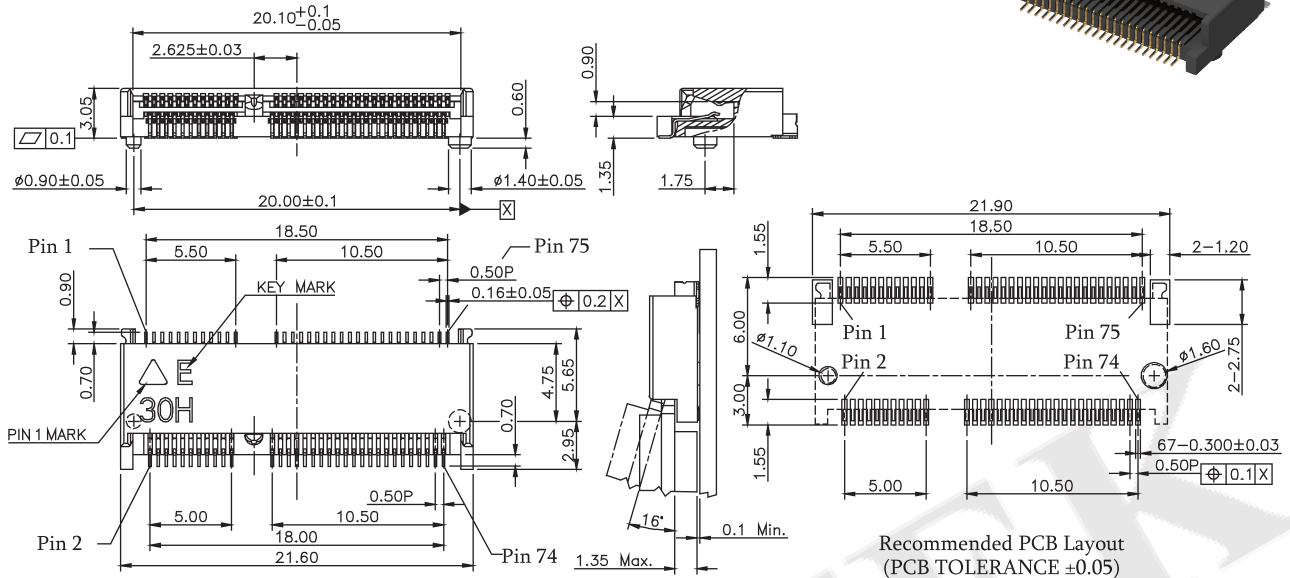
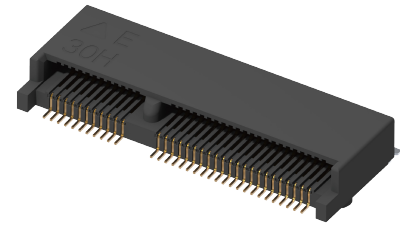
## M.2 Socket 0.5mm H=3.0mm E Key

### Specifications

Current Rating: 0.5 AMP  
 Contact Resistance: 50mΩ Max.  
 Insulation Resistance: 500MΩ Min.  
 Dielectric Voltage: 300V AC for one minute  
 Operation Temperature: -40°C to +85°C

### Material

Insulator: LCP, UL 94V-0, Black  
 Contact Pin: Phosphor Bronze



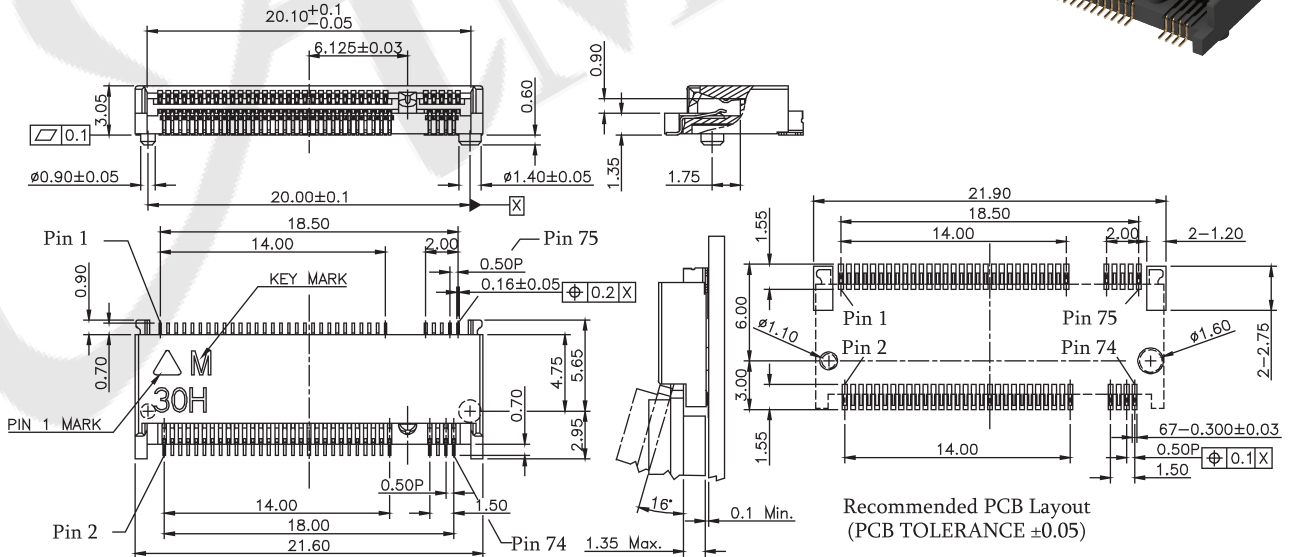
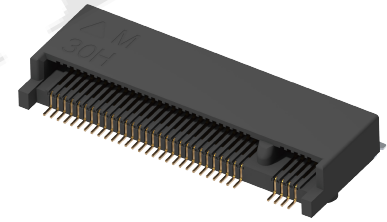
## M.2 Socket 0.5mm H=3.0mm M Key

### Specifications

Current Rating: 0.5 AMP  
 Contact Resistance: 50mΩ Max.  
 Insulation Resistance: 500MΩ Min.  
 Dielectric Voltage: 300V AC for one minute  
 Operation Temperature: -40°C to +85°C

### Material

Insulator: LCP, UL 94V-0, Black  
 Contact Pin: Phosphor Bronze



## ORDER INFORMATION

5	P	M	2	K	H	X	N	3	-	6	7	G	0	N	H	U	-	G	X
				K: Pitch 0.5	H: SMT R/A	E: E Key M: M Key		Plastic Height 3:H=3.0mm		No. of Contacts		G0: Gold Flash		H: Tape & Reel, W/O Cap		U: RoHS + LCP		1: W/O Accessories 2: With Accessories	

◎: Standard Recommended

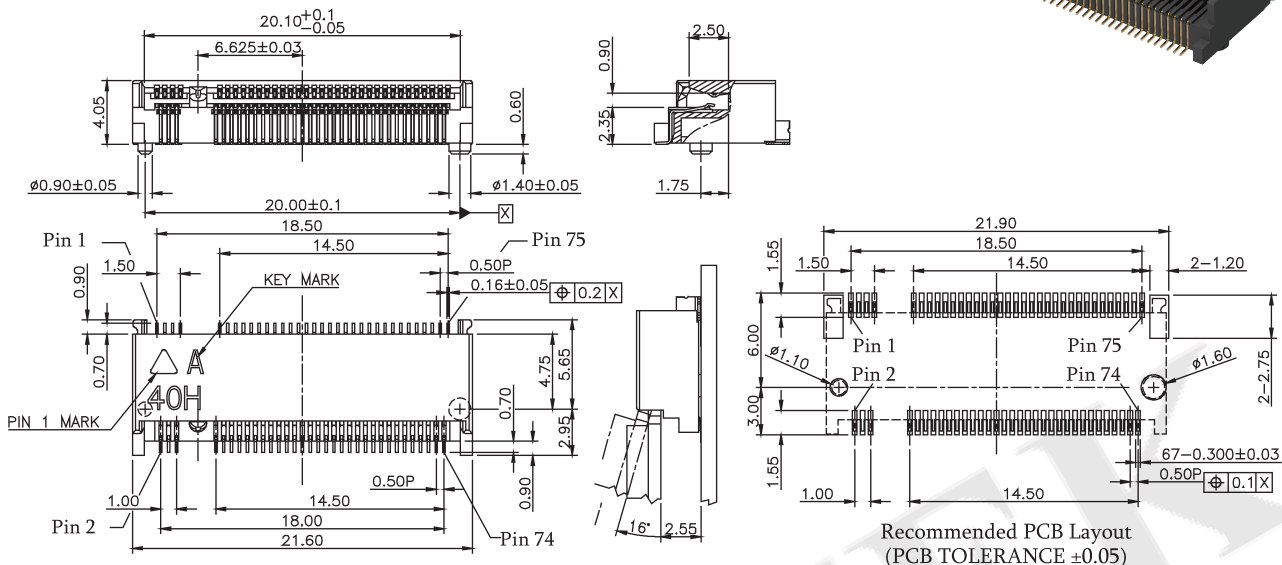
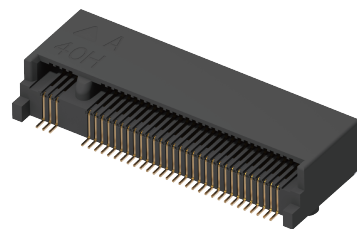
## M.2 Socket 0.5mm H=4.0mm A Key

### Specifications

Current Rating: 0.5 AMP  
 Contact Resistance: 50mΩ Max.  
 Insulation Resistance: 500MΩ Min.  
 Dielectric Voltage: 300V AC for one minute  
 Operation Temperature: -40°C to +85°C

### Material

Insulator: LCP, UL 94V-0, Black  
 Contact Pin: Phosphor Bronze



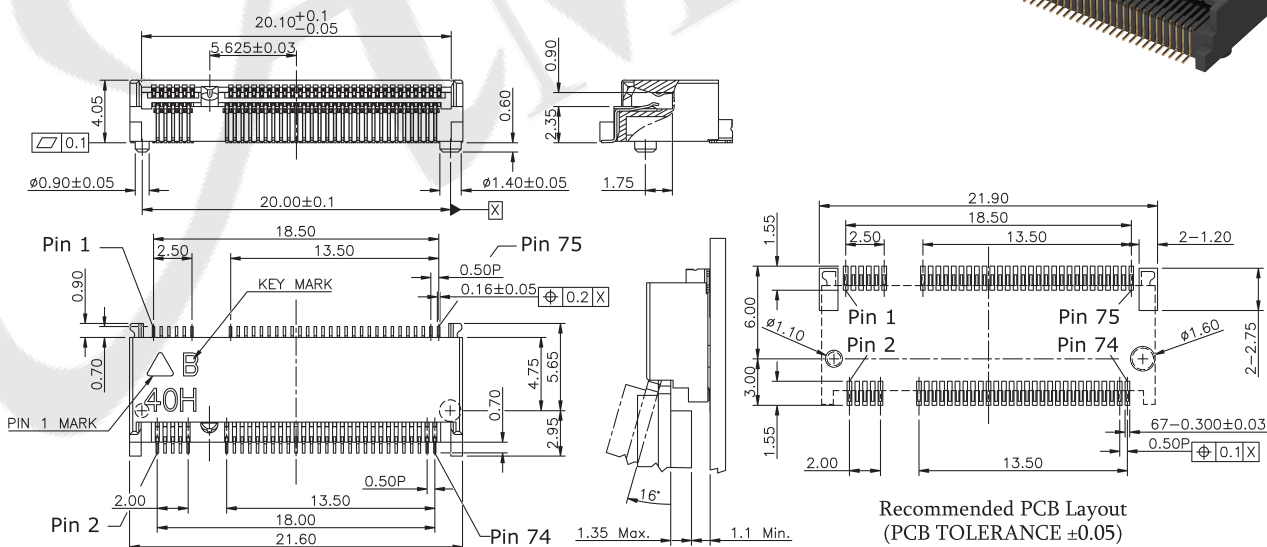
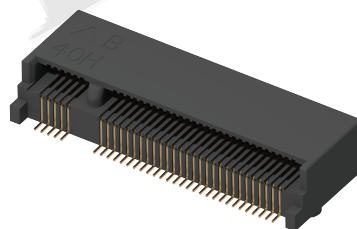
## M.2 Socket 0.5mm H=4.0mm B Key

### Specifications

Current Rating: 0.5 AMP  
 Contact Resistance: 50mΩ Max.  
 Insulation Resistance: 500MΩ Min.  
 Dielectric Voltage: 300V AC for one minute  
 Operation Temperature: -40°C to +85°C

### Material

Insulator: LCP, UL 94V-0, Black  
 Contact Pin: Phosphor Bronze



## ORDER INFORMATION

5	P	M	2	K	H	X	N	4	-	6	7	G	0	N	H	U	-	G	X	
				K: Pitch 0.5	H: SMT R/A		A: A Key B: B Key		4: Plastic Height 4:H=4.0mm		No. of Contacts		G0: Gold Flash		H: Tape & Reel, W/O Cap		U: RoHS + LCP		1: W/O Accessories 2: With Accessories	



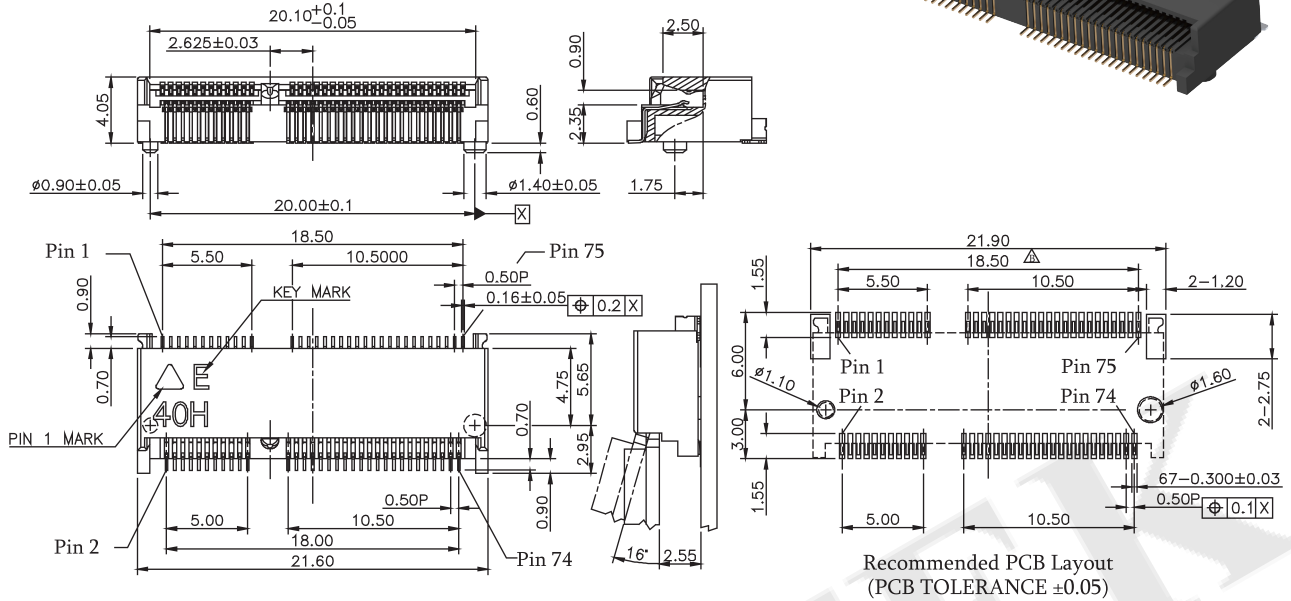
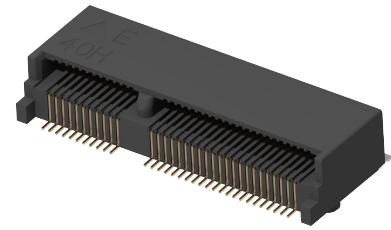
## M.2 Socket 0.5mm H=4.0mm E Key

### Specifications

Current Rating: 0.5 AMP  
 Contact Resistance: 50mΩ Max.  
 Insulation Resistance: 500MΩ Min.  
 Dielectric Voltage: 300V AC for one minute  
 Operation Temperature: -40°C to +85°C

### Material

Insulator: LCP, UL 94V-0, Black  
 Contact Pin: Phosphor Bronze



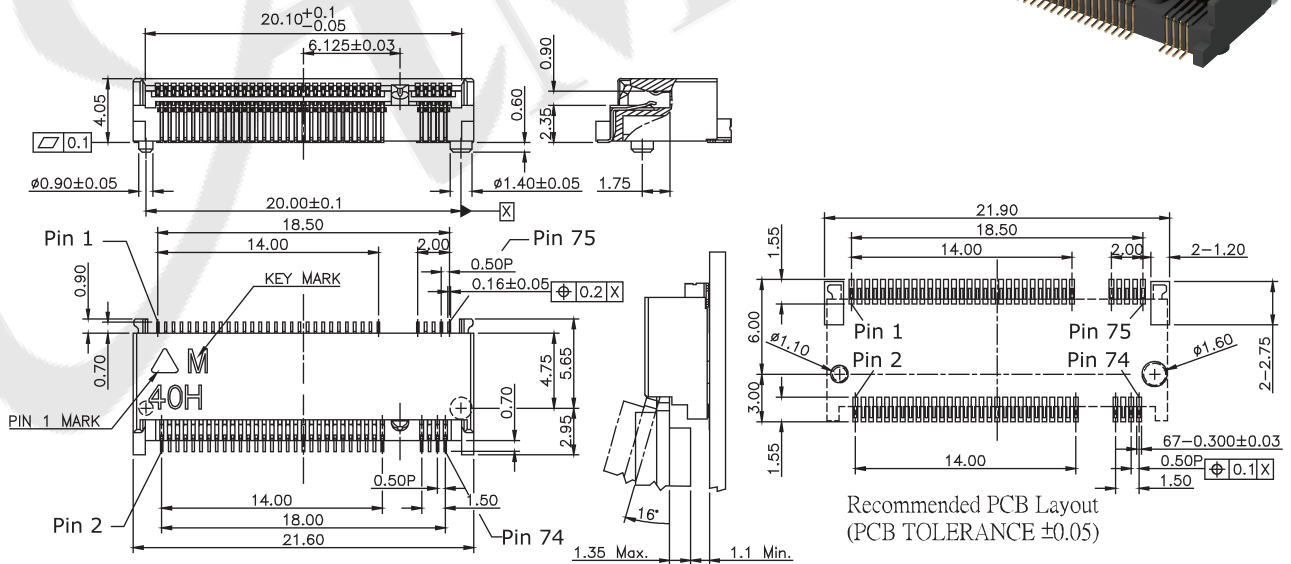
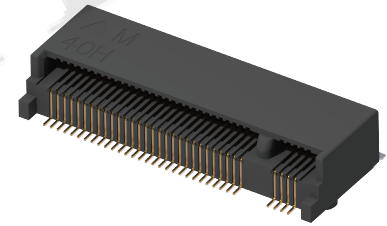
## M.2 Socket 0.5mm H=4.0mm M Key

### Specifications

Current Rating: 0.5 AMP  
 Contact Resistance: 50mΩ Max.  
 Insulation Resistance: 500MΩ Min.  
 Dielectric Voltage: 300V AC for one minute  
 Operation Temperature: -40°C to +85°C

### Material

Insulator: LCP, UL 94V-0, Black  
 Contact Pin: Phosphor Bronze



## ORDER INFORMATION

5	P	M	2	K	H	X	N	4	-	6	7	G	0	N	H	U	-	G	X
K: Pitch 0.5				H: SMT R/A		E: E Key M: M Key		Plastic Height 4:H=4.0mm		No. of Contacts		G0: Gold Flash			H: Tape & Reel, W/O Cap		1: W/O Accessories 2: With Accessories		

©: Standard Recommended