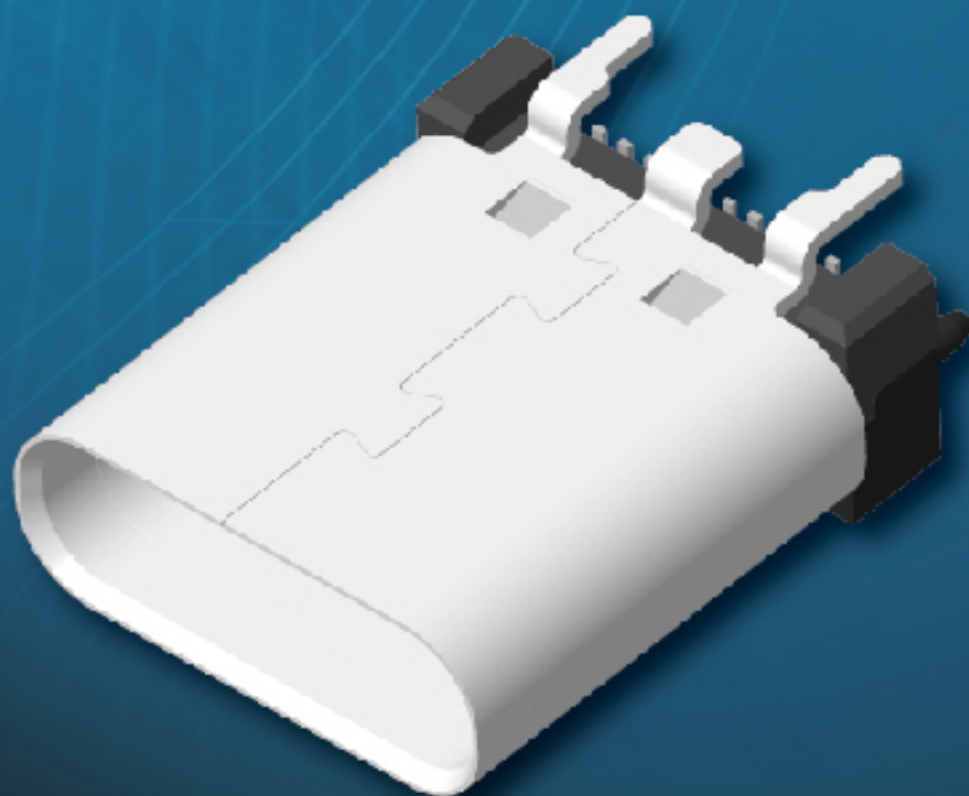


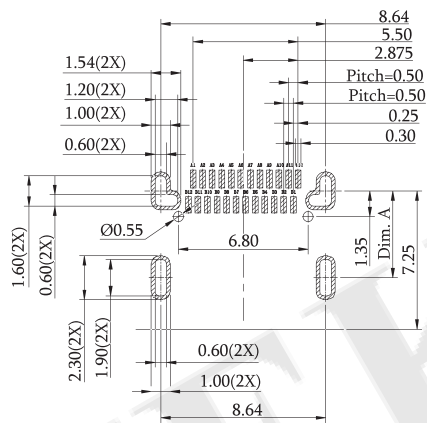
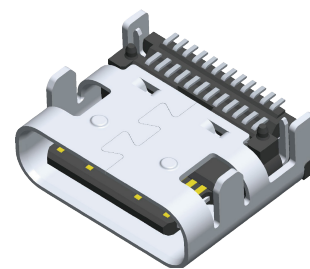
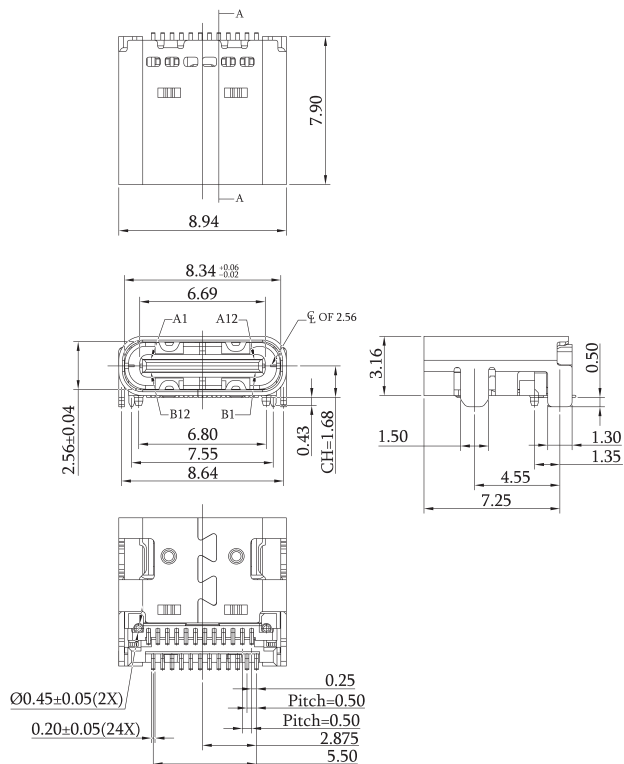
USB 3.1 Type C Connectors

6-1~6-13 • USB 3.1 Type C



AMTEK Technology Co., Ltd

USB 3.1 Type C Female SMT R/A Type 24P



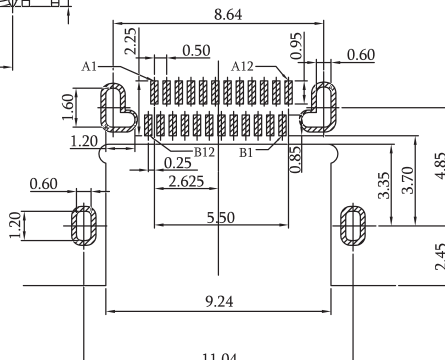
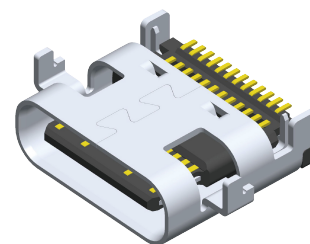
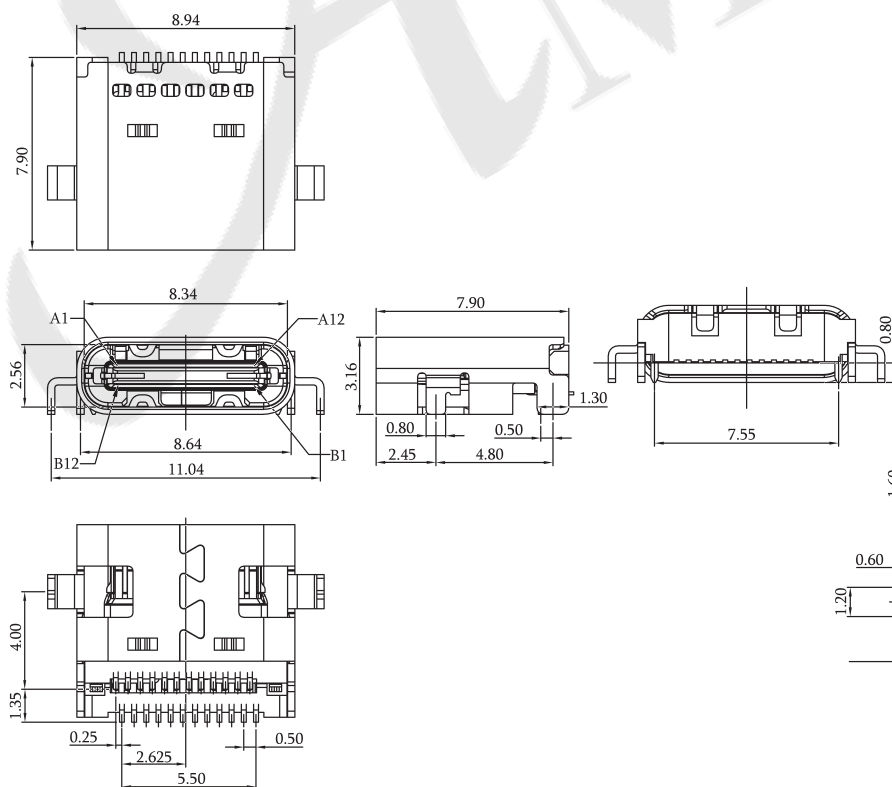
Recommended PCB Layout
(PCB TOLERANCE ±0.05)

NO.	Name	Material	Finish
1	Housing	LCP+30%G.F	Black
2	Contact	Copper Alloy	Au/Ni Plated
3	Shielding Plate	Stainless Steel	Ni Plated
4	Spring	Stainless Steel	---
5	Shell	Stainless Steel	Ni Plated

P/N.: 5US4C04MF-124XXBUH41

S0: Selective Au
SD: Selective 30u"

USB 3.1 Type C Female SMT R/A Type 24P



Recommended PCB Layout
(PCB TOLERANCE ±0.05)

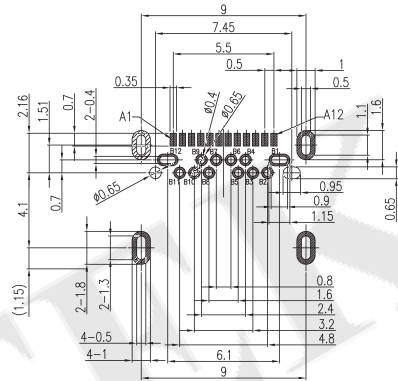
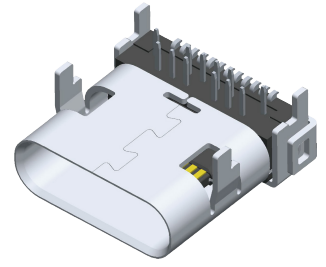
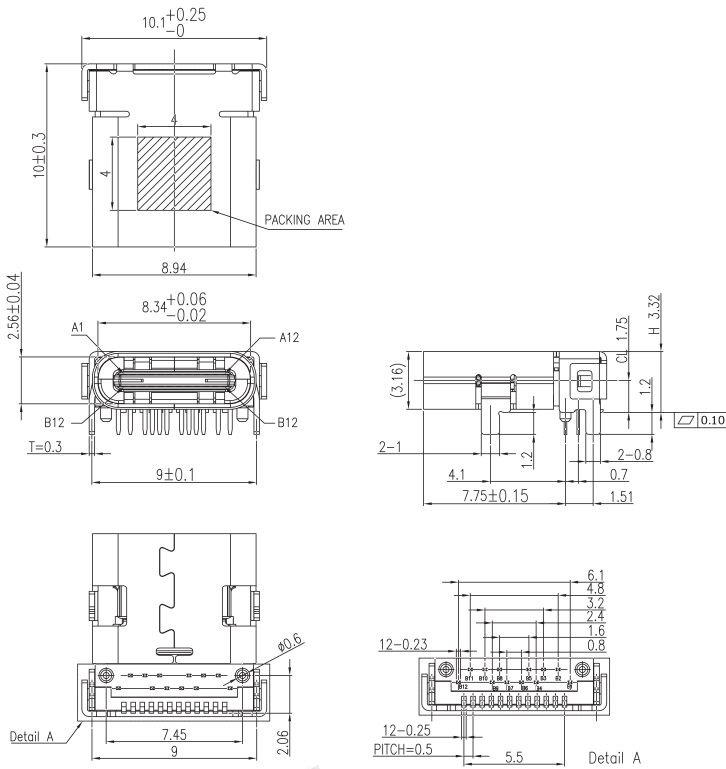
NO.	Name	Material	Finish	QTY
1	Housing	LCP	Black	1
2	Contact	C5191	Gold / Nickel Plated	1
3	Shell	SUS 301	Nickel Plated	1

P/N.: 5US4C06MF-124XXBUH41

G0: Gold Flash
SD: Selective 30u"

CONNECTORS MANUFACTURER

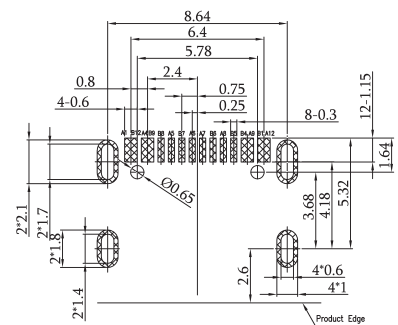
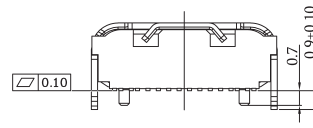
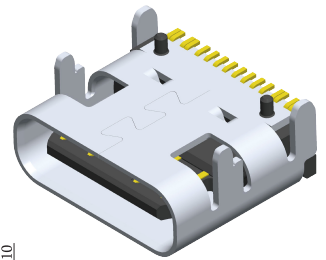
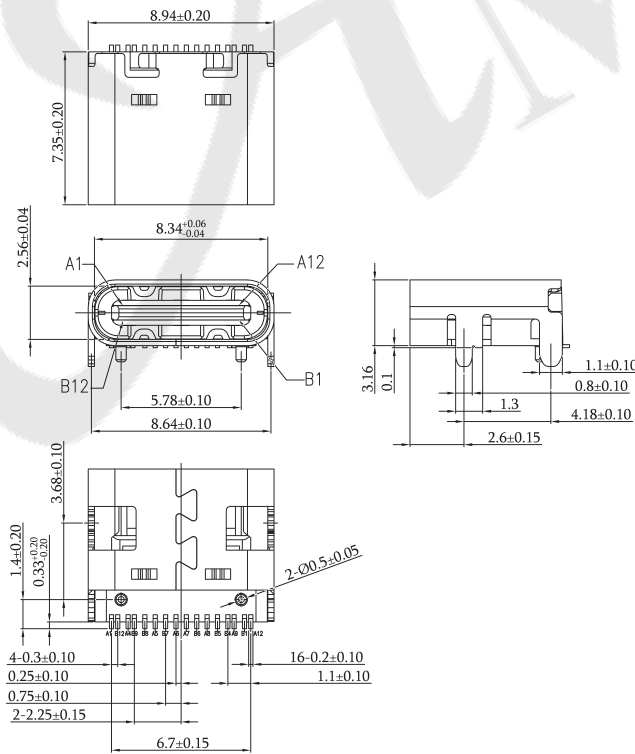
USB 3.1 Type C Female SMT R/A Type 24P



Recommended PCB Layout
(PCB TOLERANCE ±0.05)

P/N.:5US4C17MF-124S0BUH41

USB 3.1 Type C Female SMT R/A Type 16P



Recommended PCB Layout
(PCB TOLERANCE ±0.05)

P/N.:5US4C07MF-116G0BUH41

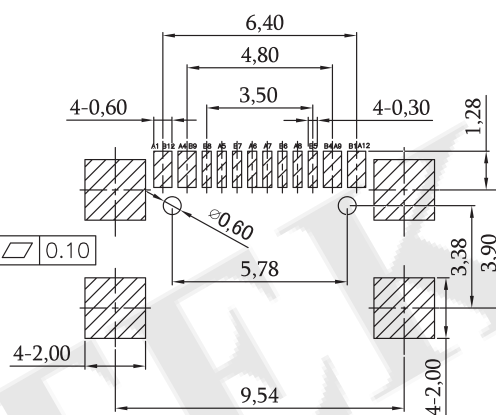
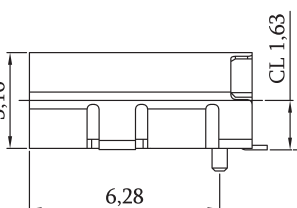
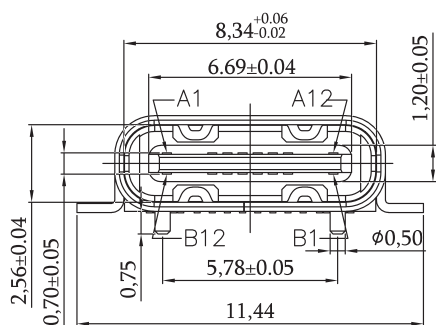
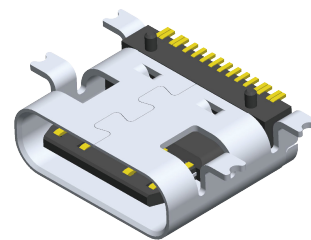
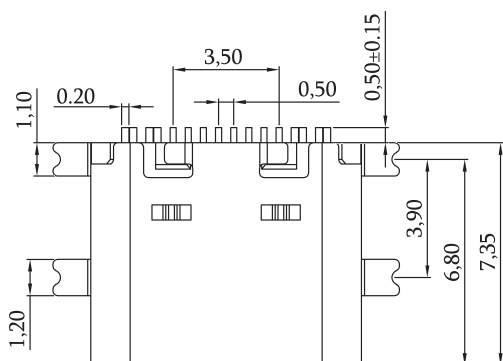
NO.	Name	Material	Finish
1	Housing	LCP	Black
2	Contact	Brass	Contact area: Gold Flash Solder area: 80%min. matte Tin Plated over Nickel
3	Mid Plate	SUS 304	No Plating
4	Shell	SUS 304	50µ' Ni Plated Overall

NO.	Name	Material	Finish	QTY
1	Housing	LCP, UL 94V-0	Black	1
2	Contact	C2680	Au/Ni Plated	1
3	MD	LCP, UL 94V-0	Black	1
4	Shielding Plate	SUS 301	---	1
5	Shell	SUS 304	Ni Plated	1

USB 3.1 Type C

ROHS

USB 3.1 Type C Female SMT R/A Type 16P

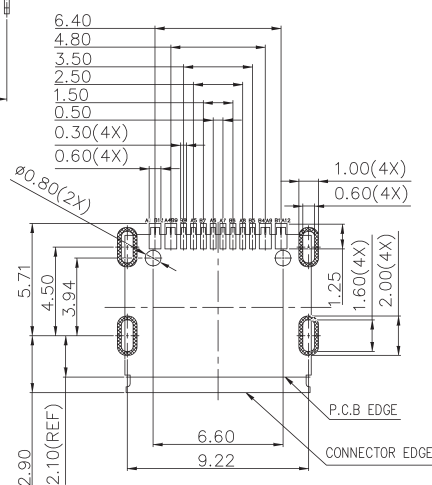
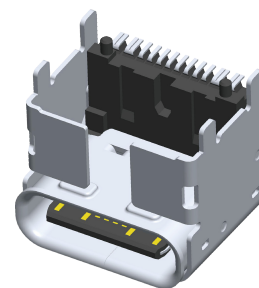
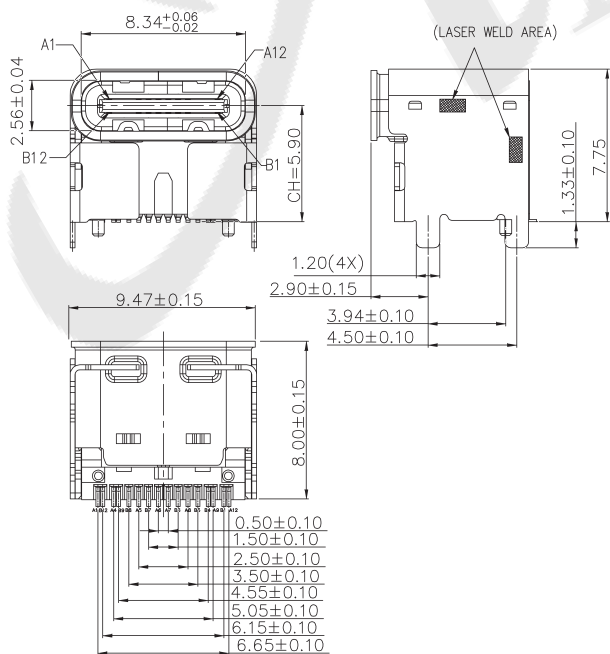


Recommended PCB Layout
(PCB TOLERANCE ±0.05)

NO.	Name	Material	Finish	QTY	Remark
1	Housing	LCP	Black	1	UL94V-0
2	Contact	Copper Alloy	Gold plated	16	
3	Shell	Stainless Steel	Nickel plated	1	

P/N.:5US4C14MF-116G0BUH41

USB 3.1 Type C Female SMT R/A Type 16P



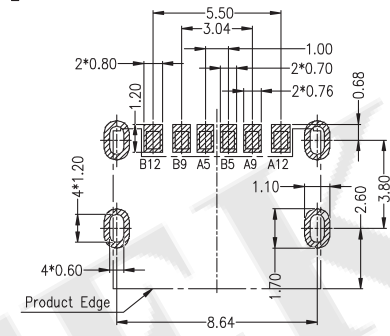
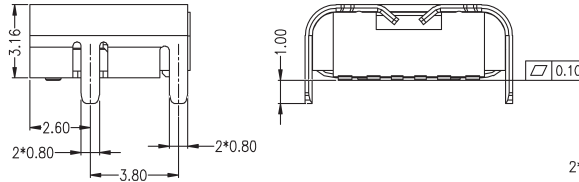
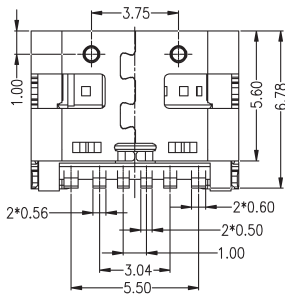
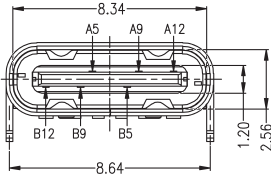
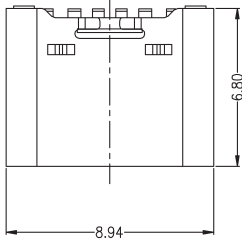
Recommended PCB Layout
(PCB TOLERANCE ±0.05)

NO.	Name	Material	Finish	QTY	Remark
1	Housing	LCP	Black	1	UL94V-0
2	Contact	Copper Alloy	Gold plated	16	
3	Shell	Stainless Steel	Nickel plated	1	Ni 30u"

P/N.:5US4C11MF-116G0BUH41

CONNECTORS MANUFACTURER

USB 3.1 Type C Female SMT R/A Type 6P

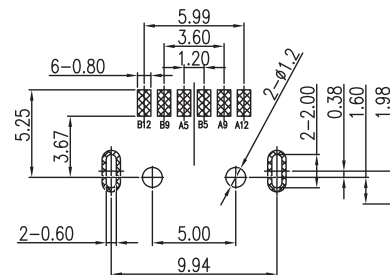
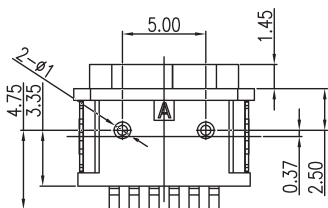
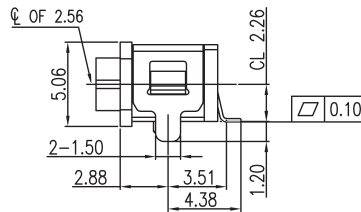
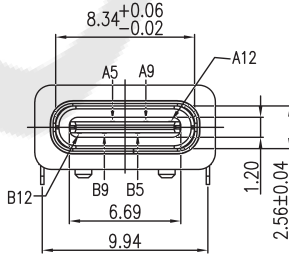
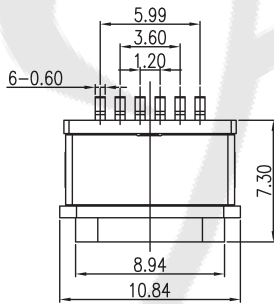


Recommended PCB Layout
(PCB TOLERANCE ±0.05)

NO.	Name	Material	Finish	QTY	Remark
1	Housing	LCP	Black	1	UL94V-0
2	Contact	Brass	Gold /Tin plated	6	Gold flash; Matte Tin 80u"; Ni 30u"
3	Shell	SUS201	Nickel plated	1	Ni 50u"

P/N.:5US4C05MF-106S0BUH41

USB 3.1 Type C Female SMT R/A Waterproof Type 6P



Recommended PCB Layout
(PCB TOLERANCE ±0.05)

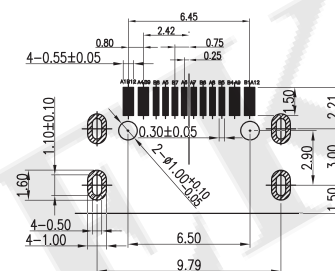
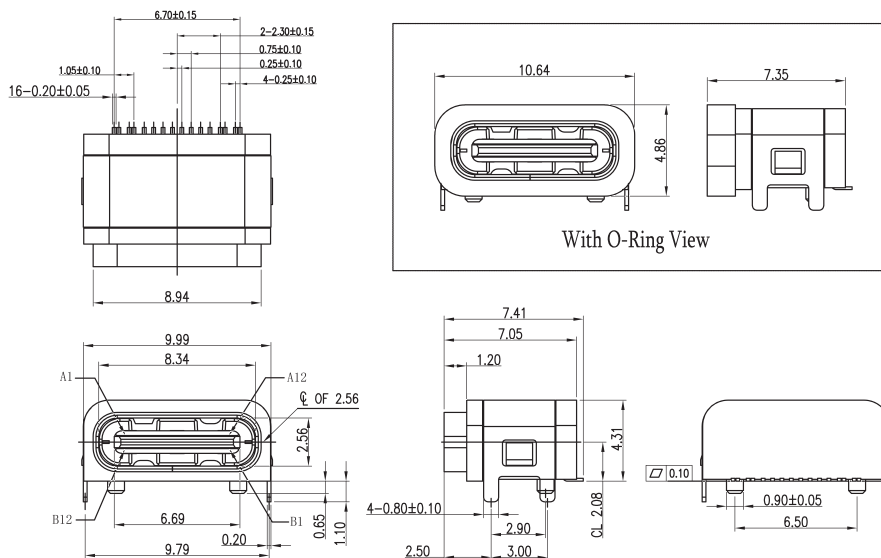
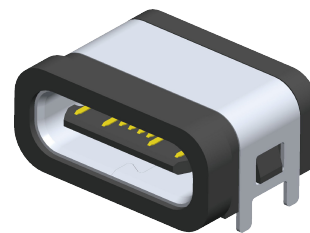
NO.	Name	Material	Finish	QTY	Remark
1	Housing	PA10T(G.F30%)	Black	1	
2	Contact	Phos. Bronze C5210-EH T=0.25	Au/Ni Plated	1	Ni:40*Min Au: Contact Area:1u", Other Area: G/F
3	Housing2	PA10T(G.F30%)	Black	1	
4	Shell 1	SUS 301 T=0.25mm	Ni Plated	6	Ni:40*Min
5	Shell 2	SUS 301 T=0.20mm	Ni Plated	1	Ni:40*Min

P/N.:5US4C16MF-106G0BUH41

USB 3.1 Type C

ROHS

USB 3.1 Type C Female SMT R/A Waterproof Type 16P

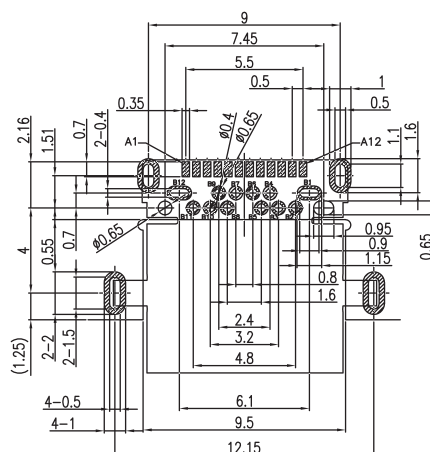
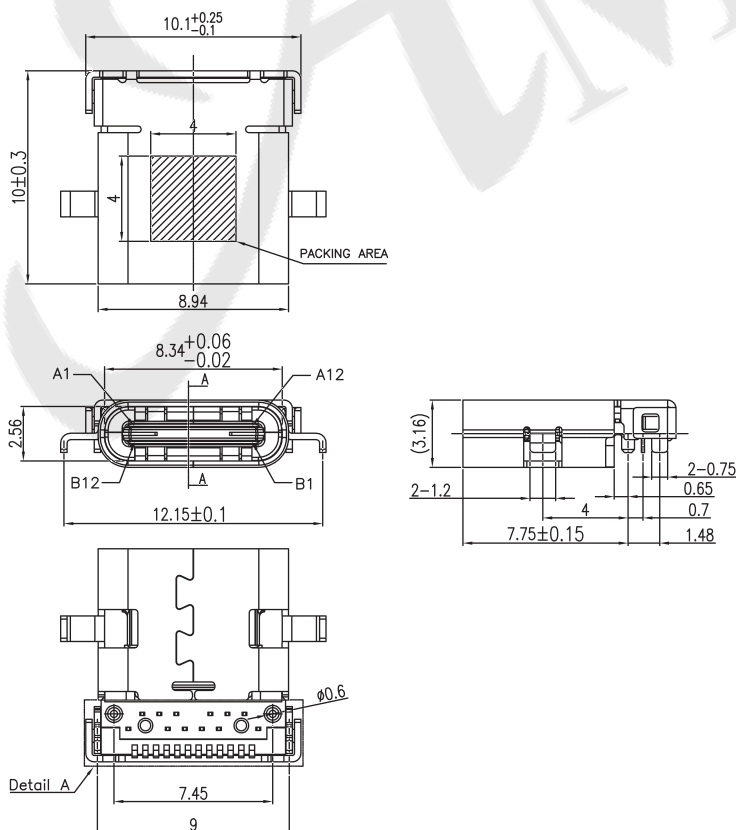
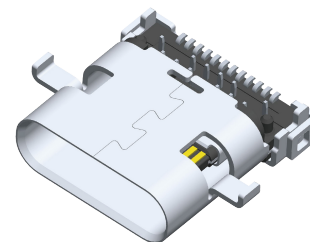


Recommended PCB Layout
(PCB TOLERANCE ±0.05)

NO.	Name	Material	Finish	QTY
1	Housing	LCP	Black	1
2	Shell Housing	LCP	Black	1
3	Contact	C2680	Tin/Au/Ni Plated	1
4	Shielding Plate	SUS 301	Ni Plated	1
5	Shell	SUS 304	Ni Plated	1

P/N.:5US4C15MF-116G0BUH41

USB 3.1 Type C Female SMT R/A Sink Type 24P



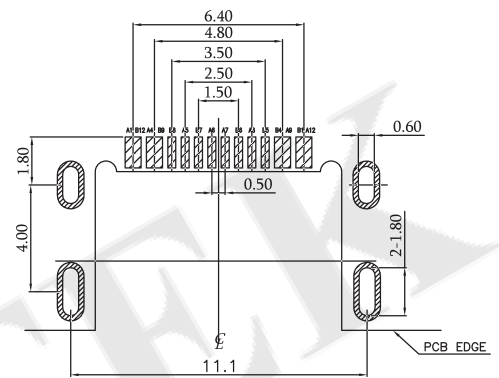
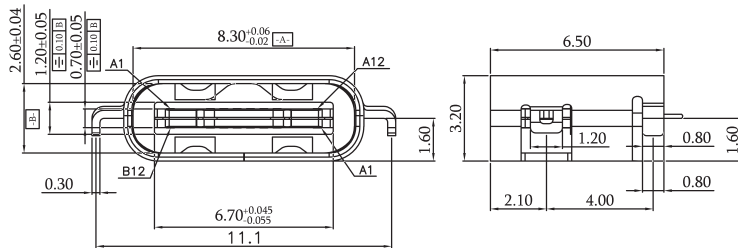
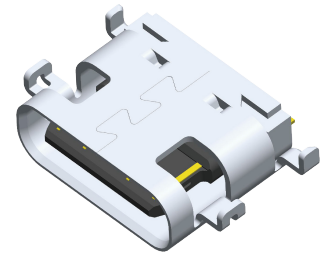
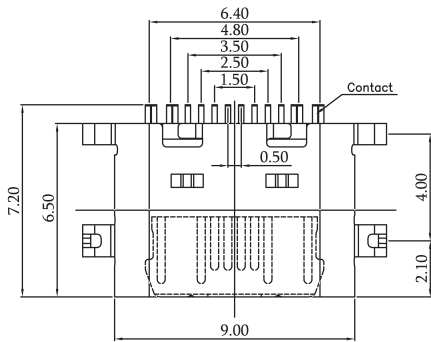
Recommended PCB Layout
(PCB TOLERANCE ±0.05)

NO.	Name	Material	Finish	QTY	Remark
1	Housing	LCP	Black	1	UL94V-0
2	Contact	Brass	Gold/Tin plated	24	Gold flash; Matte Tin 80u"; Ni 30u"
3	Shell	SUS304	Nickel plated	1	Ni 50u"

P/N.:5US4C22MF-124S0BUH41

CONNECTORS MANUFACTURER

USB 3.1 Type C Female SMT R/A Sink Type 16P

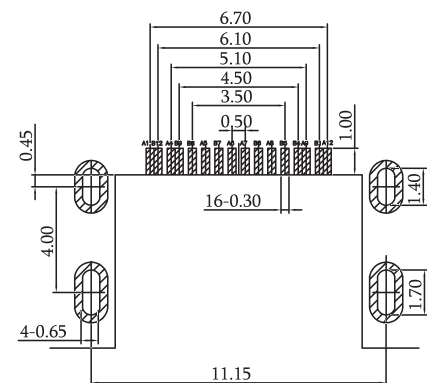
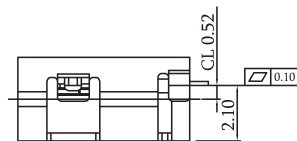
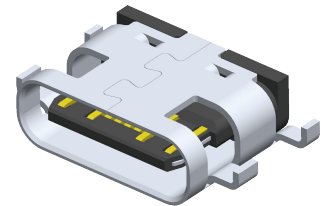
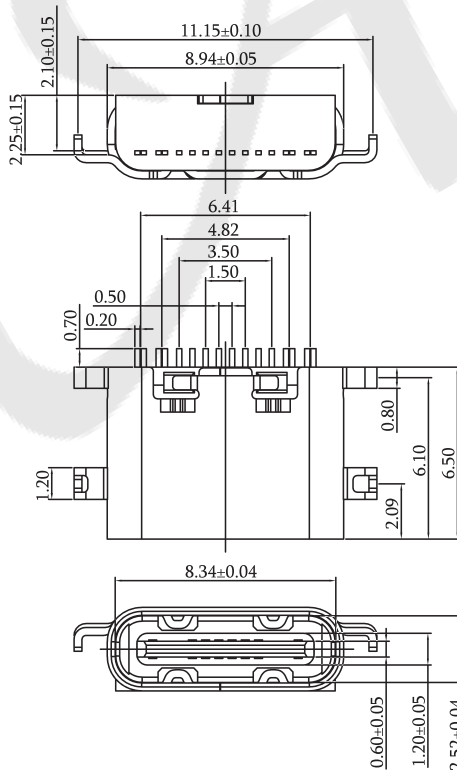


Recommended PCB Layout
(PCB TOLERANCE ±0.05)

P/N.:5US4C19MF-116G0BUH41

NO.	Name	Material	Finish	QTY
1	Housing	High Temperature Plastic	Black	1
2	Contact	Copper Alloy	Au/Ni Plated	1
3	MD	High Temperature Plastic	Black	1
4	Shielding Plate	Stainless Steel	---	1
5	Shell	Stainless Steel	Ni Plated	1

USB 3.1 Type C Female SMT R/A Sink Type 16P



Recommended PCB Layout
(PCB TOLERANCE ±0.05)

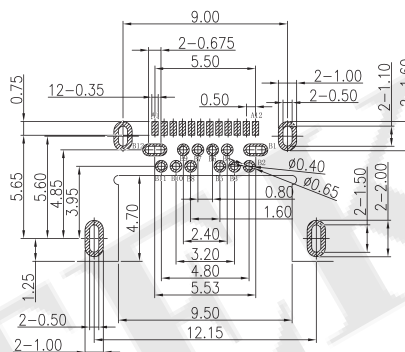
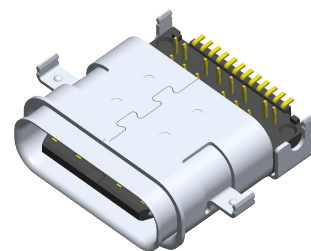
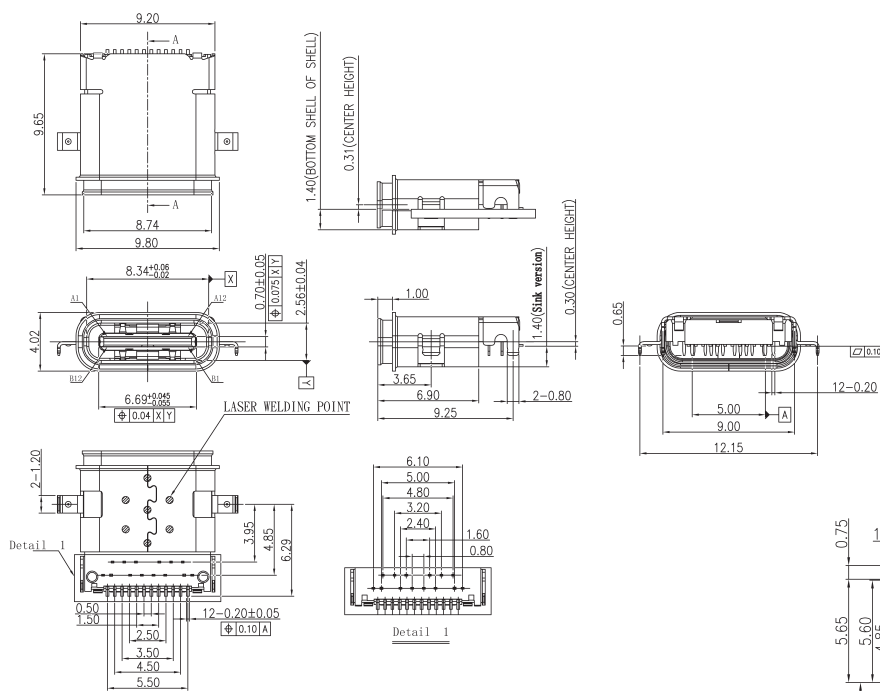
P/N.:5US4C21MF-116G0BUH41

NO.	Name	Material	Finish	QTY	Remark
1	Housing	LCP	Black	1	UL94V-0
2	Contact	Copper Alloy	Gold plated	16	
3	Shell	Stainless Steel	Nickel plated	1	

U SB 3.1 Type C

ROHS

USB 3.1 Type C Female SMT R/A Sink Waterproof Type 24P

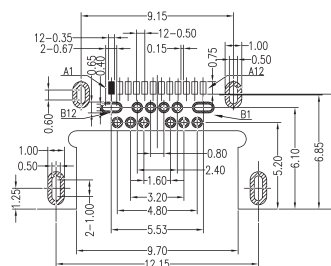
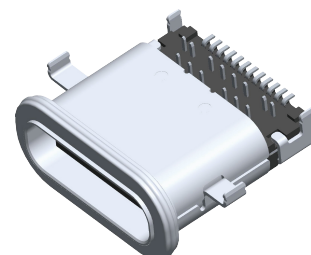
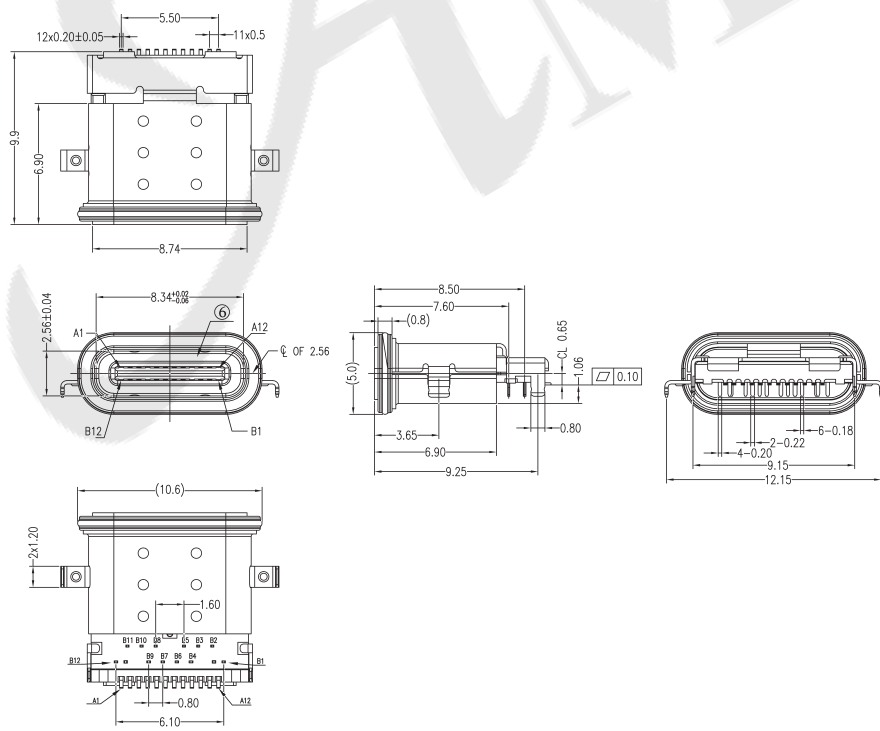


Recommended PCB Layout
(PCB TOLERANCE ±0.05)

NO.	Name	Material	Finish	QTY	Remark
1	Housing	High Temp Plastic	Black	1	---
2	Terminal-A	Copper Alloy	Au 3u"	12	T=0.12mm
3	Terminal-B	Copper Alloy	Au 3u"	12	T=0.12mm
4	MID Plate	Stainless Steel	---	1	T=0.15mm
5	GND Plate	Stainless Steel	Ni Plated	1	T=0.10mm
6	Shell-1	Stainless Steel	Ni Plated	1	T=0.20mm
7	Shell-2	Stainless Steel	Ni Plated	1	T=0.20mm
8	Glue Water	Epoxy	Black	1	---

P/N.:5US4C10MF-124G3BUH41

USB 3.1 Type C Female SMT R/A Sink Waterproof Type 24P

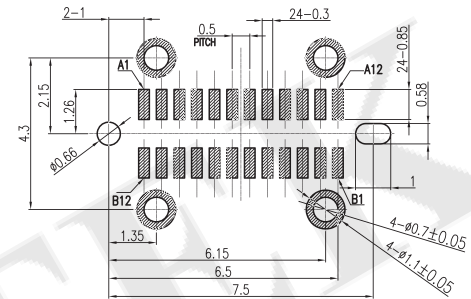
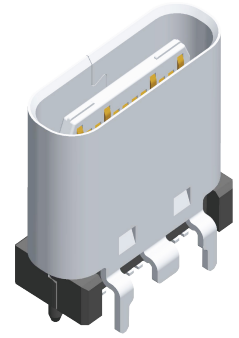
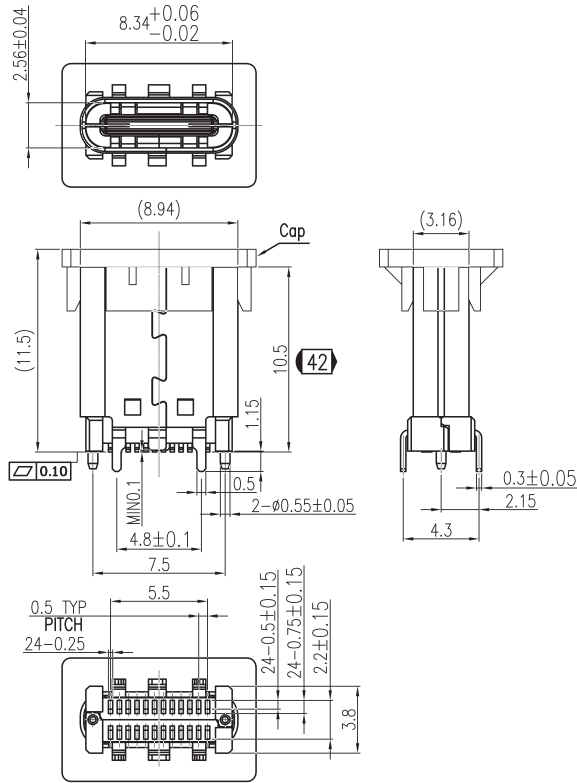


Recommended PCB Layout
(PCB TOLERANCE ±0.05)

NO.	Name	Material	Finish	QTY
1	Housing	High Temperature Plastic	Black	1
2	Contact	Copper Alloy	Au/Matte Tin/Ni Plated	2
3	Inner Shell	Stainless Steel	Ni Plated	1
4	Shell	Stainless Steel	---	1
5	GND Plate	Stainless Steel	Ni/Sn Plated	1
6	MID Plate	Stainless Steel	---	1
7	Ring	Silicon	---	1

P/N.:5US4C20MF-124S0BUH41

USB 3.1 Type C Female SMT Vertical Type 24P H=10.5mm

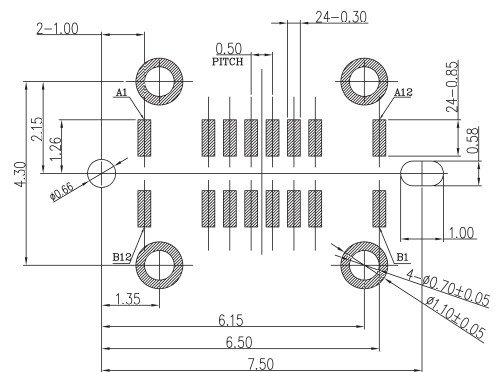
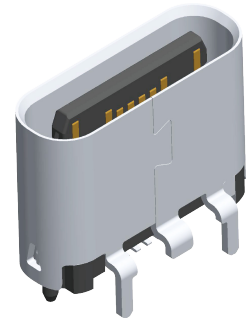
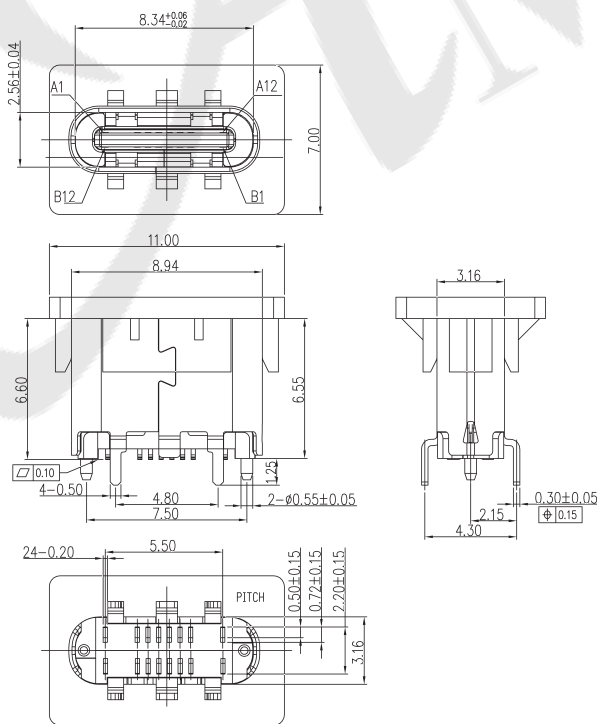


Recommended PCB Layout
(PCB TOLERANCE ±0.05)

NO.	Name	Material	Finish	QTY	Remark
1	Housing	LCP	Black	1	UL94V-0
2	Contact	Brass	Gold/Tin plated	16	Gold flash; Matte Tin 80u"; Ni 30u"
3	Shell	SUS304	Nickel plated	1	Ni 50u"

P/N.:5US4C01GF-124S0BUR42

USB 3.1 Type C Female SMT Vertical Type 16P H=6.4mm



Recommended PCB Layout
(PCB TOLERANCE ±0.05)

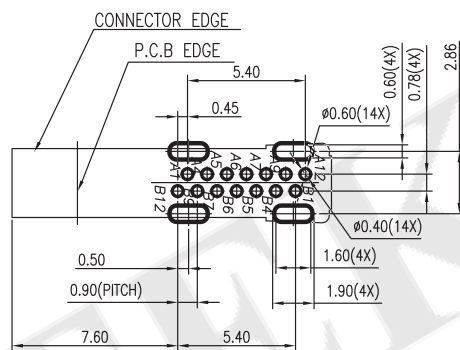
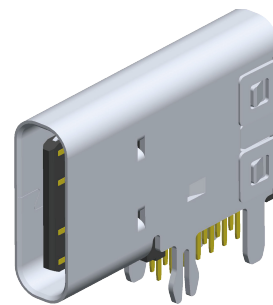
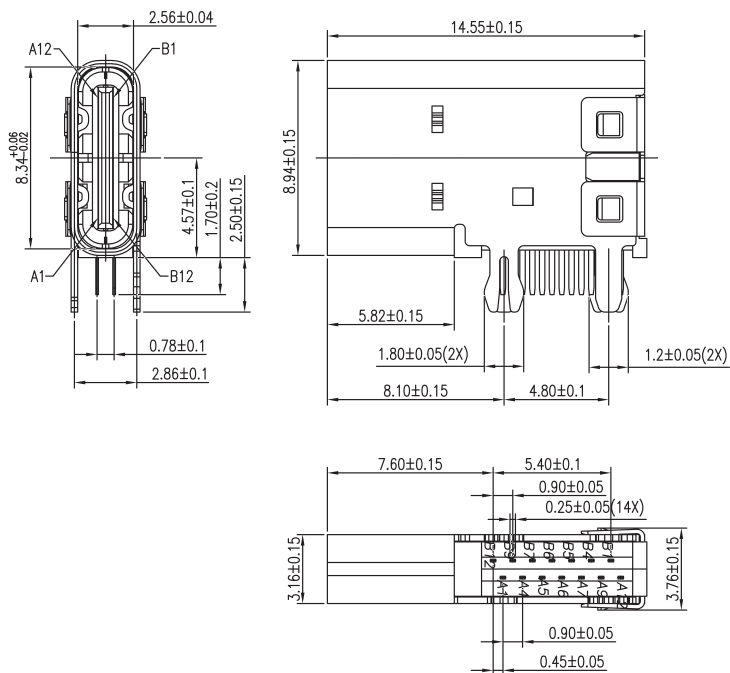
NO.	Name	Material	Finish	QTY	Remark
1	Housing	LCP	Black	1	UL94V-0
2	Contact	Brass	Selective Au	16	
3	Shell	SUS304	Nickel plated	1	Ni 50u"
4	Shield	SUS304		1	t=0.12

P/N.:5US4C04GF-116S0BUR41

USB 3.1 Type C

ROHS

USB 3.1 Type C Female DIP Upright Type 14P

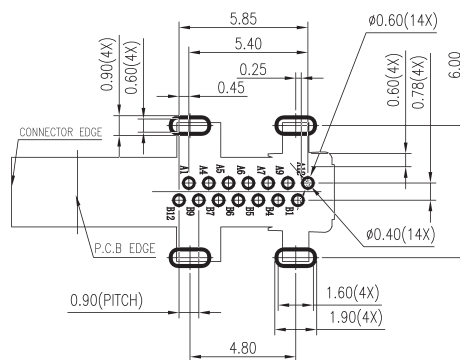
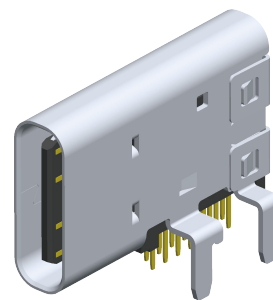
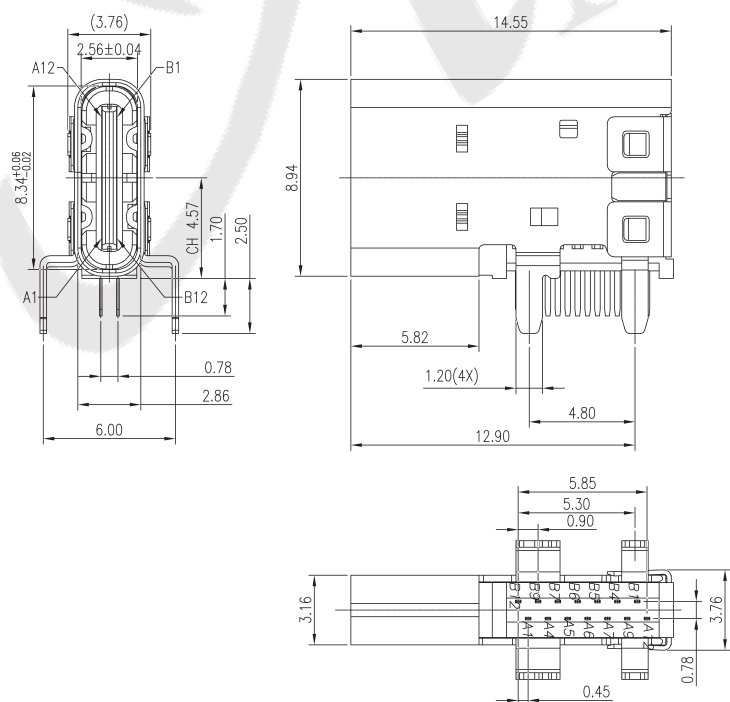


Recommended PCB Layout
(PCB TOLERANCE ±0.05)

P/N.:5US4C01UF-114G0BUA41

NO.	Name	Material	Finish	QTY	Remark
1	Housing	PA9T	Black	1	UL94V-0
2	Contact	Copper Alloy	Gold Flash	14	Gold flash; Ni 30u"
3	Shell	Stainless Steel	Nickel plated	1	Ni 30u"

USB 3.1 Type C Female DIP Upright Type 14P



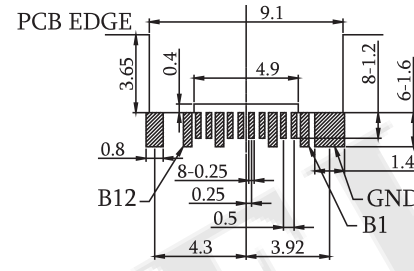
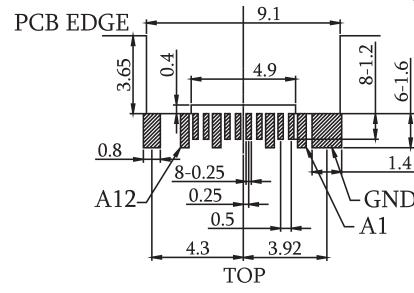
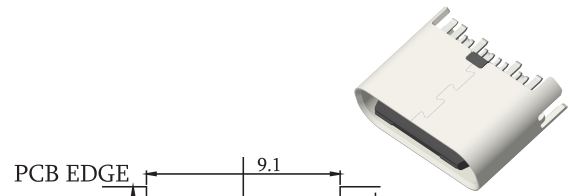
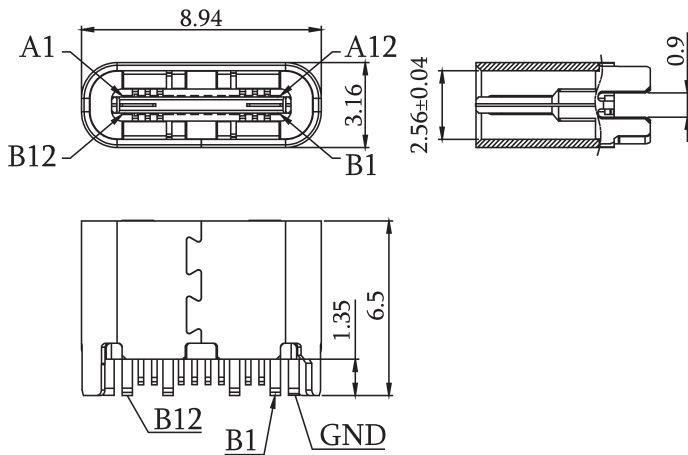
Recommended PCB Layout
(PCB TOLERANCE ±0.05)

P/N.:5US4C02UF-114G0BUR41

NO.	Name	Material	Finish	QTY	Remark
1	Housing	PA9T	Black	1	UL94V-0
2	Contact	Copper Alloy	Gold Flash	14	Gold flash; Ni 50u"
3	Shell	Stainless Steel	Nickel plated	1	Ni 30u"

CONNECTORS MANUFACTURER

USB 3.1 Type C Female Straddle Type 24P



TOP
BOTTOM
Recommended PCB Layout
(PCB TOLERANCE ±0.05)

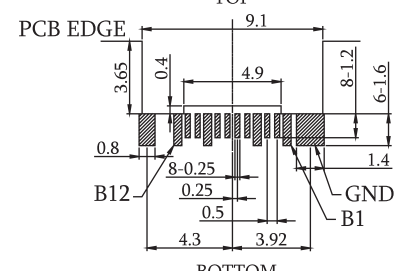
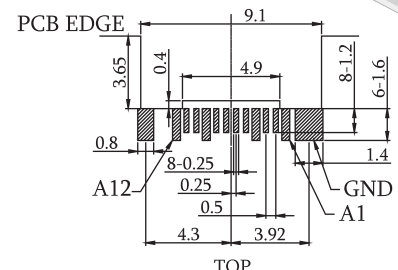
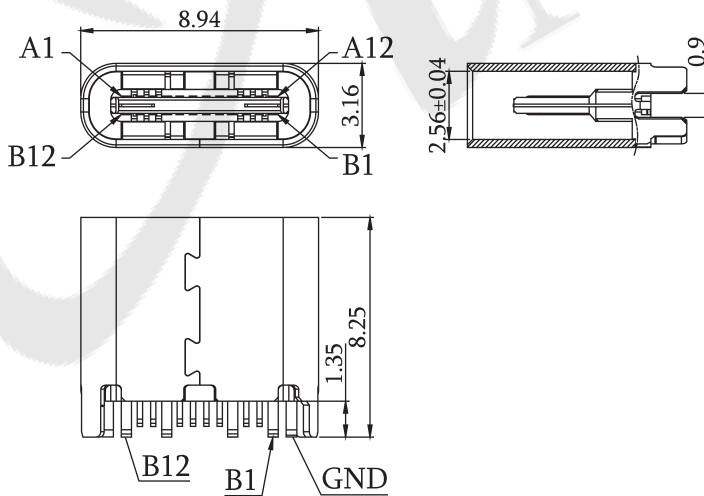
Pin No	Signal Name	Pin No	Signal Name	Pin No	Remark	Pin No	Signal Name
A1	GND	B12	GND	A7	D-	B6	D+
A2	TX1+	B11	RX1+	A8	SBU1	B5	CC2
A3	TX1-	B10	RX1-	A9	Vbus	B4	Vbus
A4	Vbus	B9	Vbus	A10	RX2-	B3	TX2-
A5	CC1	B8	SBU2	A11	RX2+	B2	TX2+
A6	D+	B7	D-	A12	GND	B1	GND

NO.	Name	Material	Finish	QTY	Remark
1	Housing	Thermoplastic	Black	1	UL 94V-0
2	Contact	Copper Alloy	Contact area: 30u" PD/Ni+Gold Flash Solder area: 80u"min. matte Tin Plated over Nickel	24	T=0.25mm
3	Gnd Plates	SUS	Solder area: matte Tin Plated	3	T=0.30mm
4	Shell	SUS	matte Tin Plated	1	T=0.30mm

P/N.: 5US4C01TF-124XXBUHC1

S0: Selective
SF: Selective 15u"
SD: Selective 30u"

USB 3.1 Type C Female Straddle Type 24P



TOP
BOTTOM
Recommended PCB Layout
(PCB TOLERANCE ±0.05)

Pin No	Signal Name	Pin No	Signal Name	Pin No	Remark	Pin No	Signal Name
A1	GND	B12	GND	A7	D-	B6	D+
A2	TX1+	B11	RX1+	A8	SBU1	B5	CC2
A3	TX1-	B10	RX1-	A9	Vbus	B4	Vbus
A4	Vbus	B9	Vbus	A10	RX2-	B3	TX2-
A5	CC1	B8	SBU2	A11	RX2+	B2	TX2+
A6	D+	B7	D-	A12	GND	B1	GND

NO.	Name	Material	Finish	QTY	Remark
1	Housing	Thermoplastic	Black	3	UL 94V-0
2	Contact	Copper Alloy	Contact area: 30u" PD/Ni+Gold Flash Solder area: 80u"min. matte Tin Plated over Nickel	24	T=0.15mm
3	Gnd Plates	SUS	Solder area: matte Tin Plated	3	T=0.10mm
4	Shell	SUS	matte Tin Plated	1	T=0.30mm

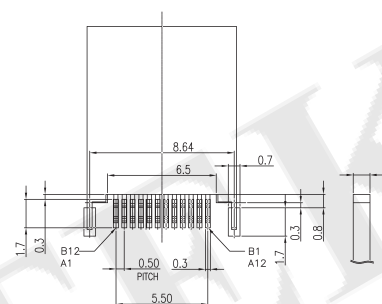
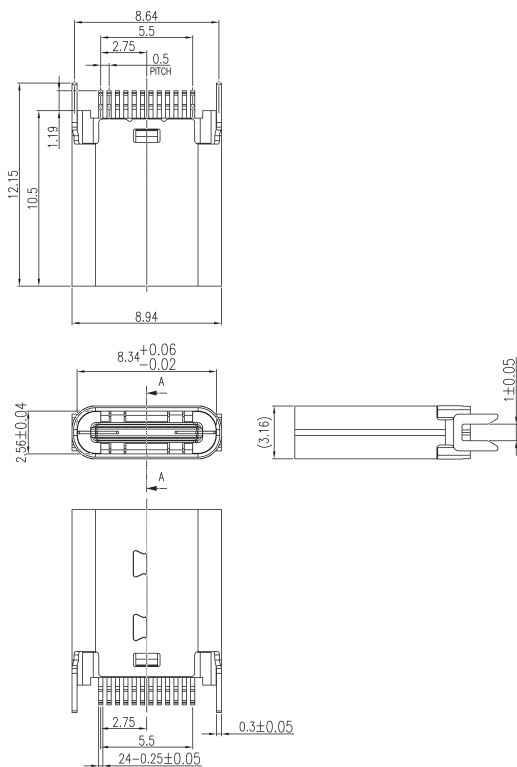
P/N.: 5US4C01TF-124XXBUHC2

S0: Selective
SF: Selective 15u"
SD: Selective 30u"

USB 3.1 Type C

ROHS

USB 3.1 Type C Female Straddle Type 24P

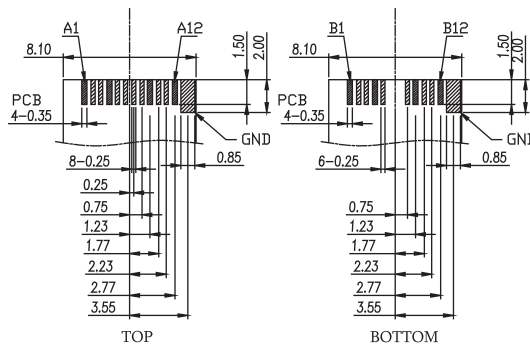
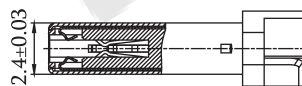
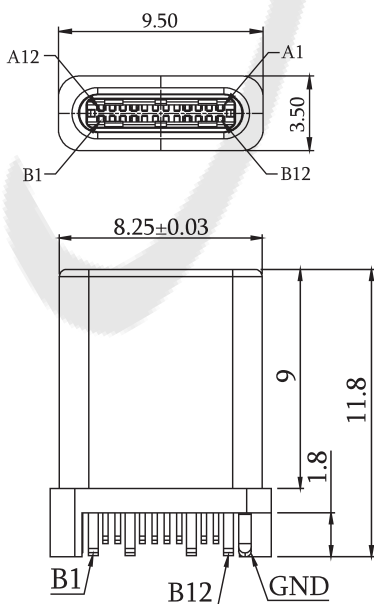


Recommended PCB Layout
(PCB TOLERANCE ±0.05)

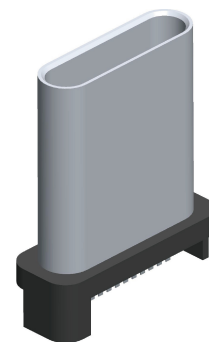
NO.	Name	Material	Finish	QTY	Remark
1	Housing	LCP	Black	1	UL94V-0
2	Contact	Brass	Gold Flash	24	Gold flash; Matte Tin 80u"; Ni 30u"
3	Shell	SUS304	Nickel plated	1	Ni 50u"

P/N.:5US4C03TF-124S0BUA41

USB 3.1 Type C Male Straddle Type 24P



Recommended PCB Layout
(PCB TOLERANCE ±0.05)



NO.	Name	Material	Finish	QTY	Remark
1	Housing	Thermoplastic	Black	1	UL 94V-0
2	Contact	Copper Alloy	Contact area: 0.8-30u" (Pd/Ni+) Gold Flash Solder area: 80u"min. matte Tin Plated over Nickel	24	T=0.15mm
3	Gnd Latch	SUS	Solder area: matte Tin Plated	1	T=0.30mm
4	EMI Spring	SUS	No Plated	2	T=0.08mm
5	Shell	SUS	60u"min. Nickel Plated	1	T=0.15mm

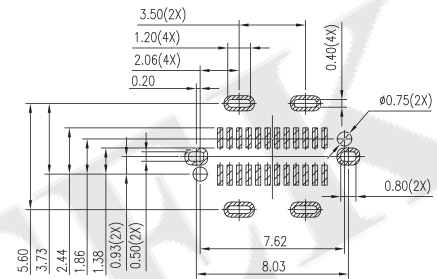
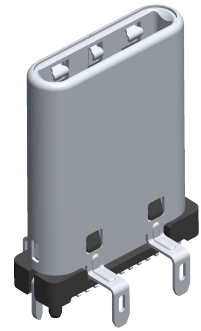
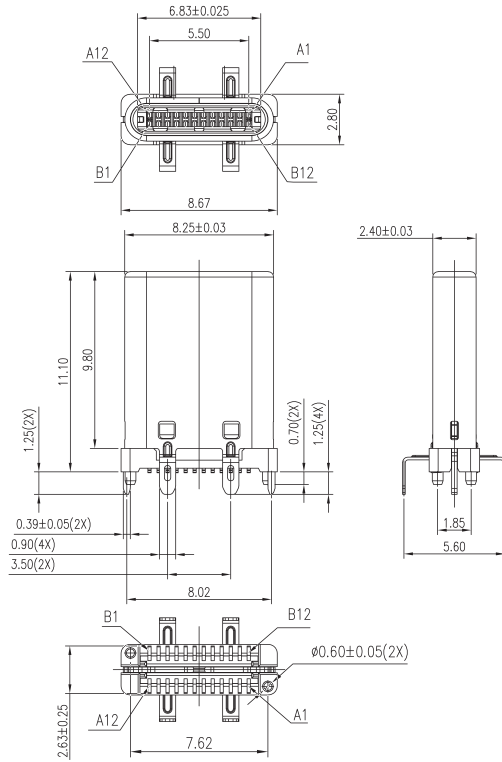
P/N.:5US4C01TM-124XXBUHCX

S0: Selective
SF: Selective 15u"
SD: Selective 30u"

1: W/O Shell
2: Short Shell, Type 1
4: Long Shell, Type 1
3: Short Shell, Type 2
5: Long Shell, Type 2

CONNECTORS MANUFACTURER

USB 3.1 Type C Male SMT Vertical Type 24P H=11.1mm

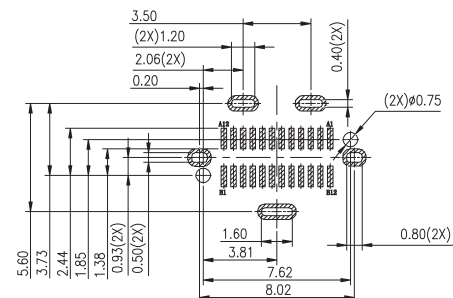
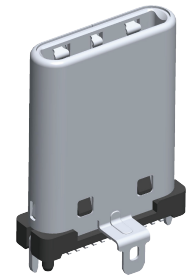
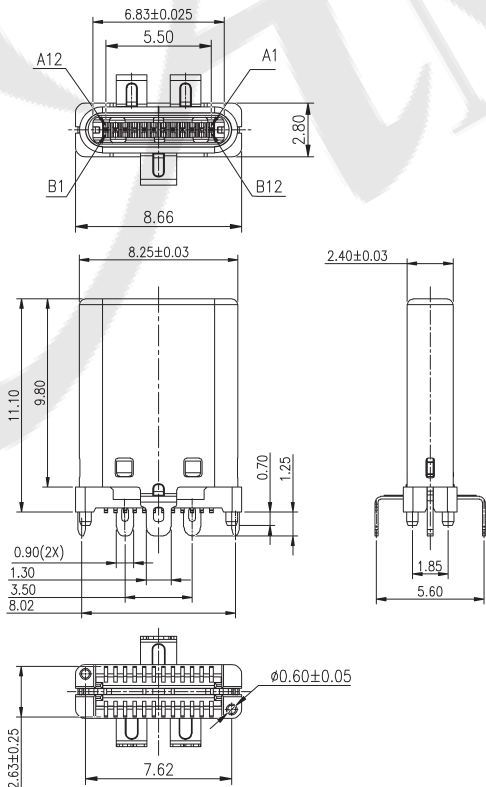


Recommended PCB Layout
(PCB TOLERANCE ±0.05)

NO.	Name	Material	Finish	Q'TY	Remark
1	Housing	LCP	Black	1	UL94V-0
2	Contact	Copper Alloy	Selective Au	24	Gold flash; Tin 80u"; Ni 30u"
3	Shell	Stainless Steel	Nickel plated	1	Ni 30u"
4	Latch	Stainless Steel	Tin plated	4	Tin 80u"; Ni 30u"
5	Spring	Stainless Steel	--	1	--

P/N.:5US4C02GM-124S0BUR41

USB 3.1 Type C Male SMT Vertical Type 24P H=11.1mm



Recommended PCB Layout
(PCB TOLERANCE ±0.05)

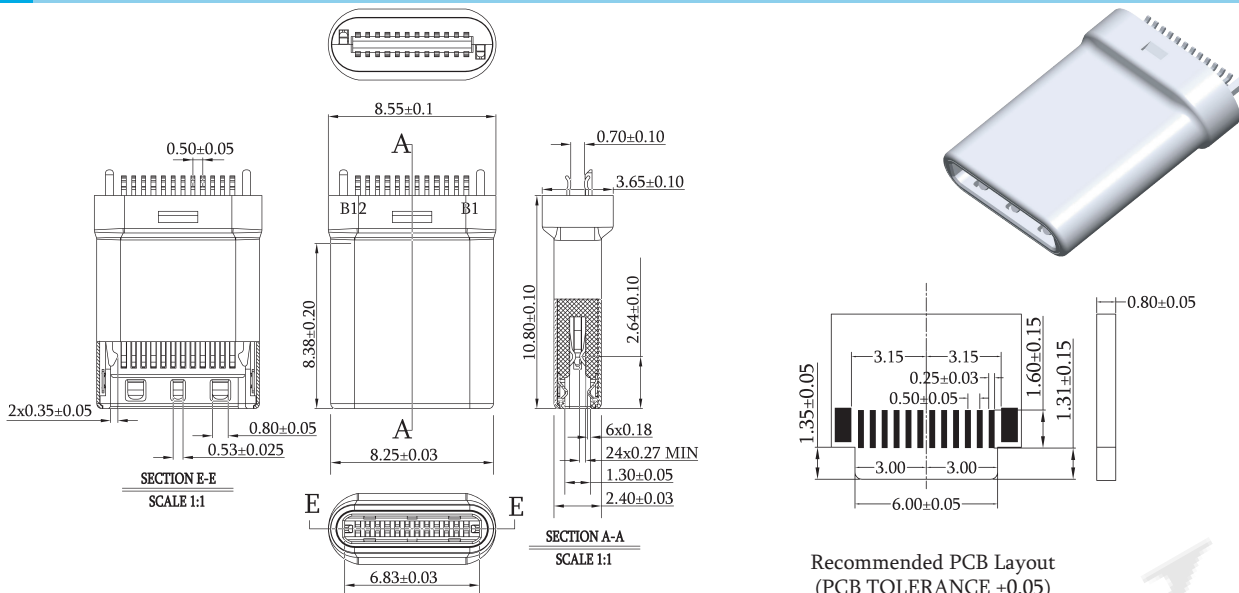
NO.	Name	Material	Finish	Q'TY	Remark
1	Housing	LCP	Black	1	UL94V-0
2	Contact	Copper Alloy	Selective Au	24	Gold flash; Tin 80u"; Ni 30u"
3	Shell	Stainless Steel	Nickel plated	1	Ni 30u"
4	Latch	Stainless Steel	Tin plated	3	Tin 80u"; Ni 30u"
5	Spring	Stainless Steel	--	1	--

P/N.:5US4C01GM-124S0BUH41

USB 3.1 Type C

ROHS

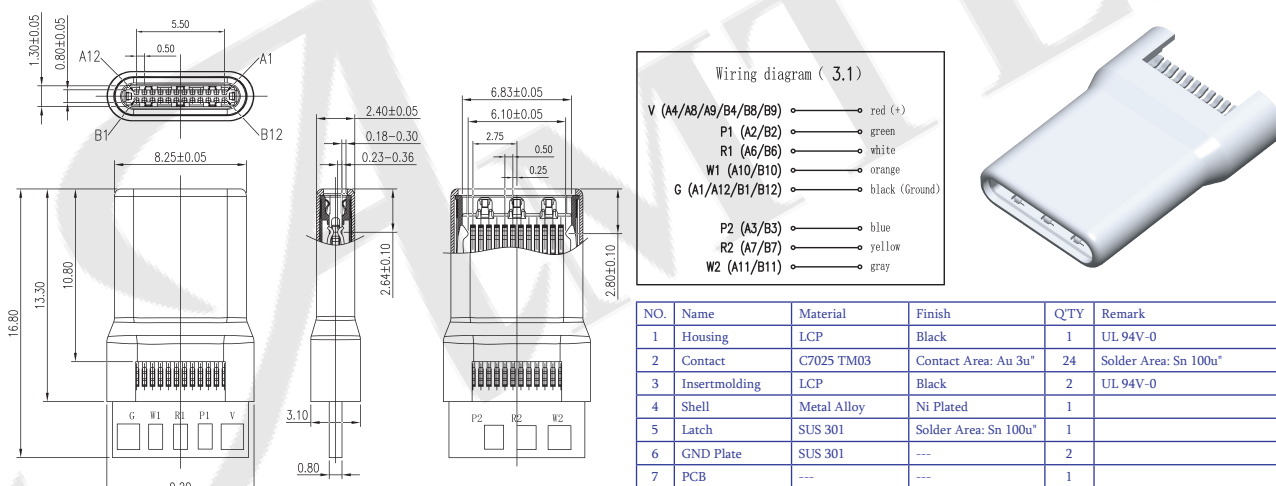
USB 3.1 Type C Male Straddle Type 24P



NO.	Name	Material	Finish	QTY	Remark
1	Housing	LCP	Black	1	UL94V-0
2	Contact	C7025	Selective Au	24	Gold flash; Matte Tin 60u"; Ni 30u"
3	Shell	SUS316	Nickel plated	1	Ni 30u"
4	Card Hook	SUS301	Tin plated	2	Tin 60u"
5	Shrapnel	SUS301	---	1	---

P/N.:5US4C09TM-124S0BUT41

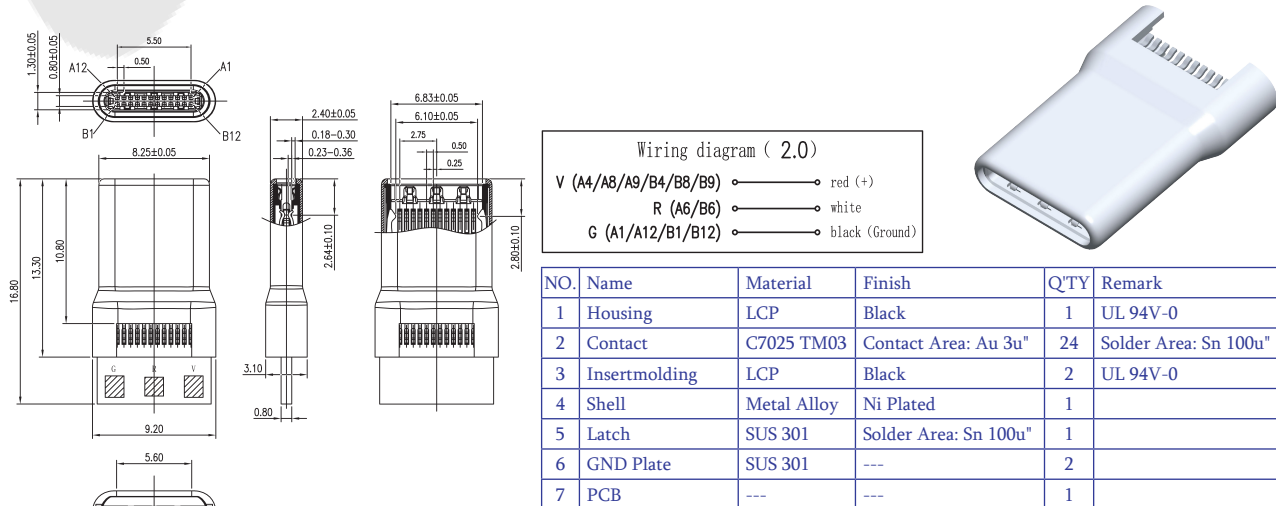
USB 3.1 Type C Male With Paddle Card 24P



NO.	Name	Material	Finish	QTY	Remark
1	Housing	LCP	Black	1	UL 94V-0
2	Contact	C7025 TM03	Contact Area: Au 3u"	24	Solder Area: Sn 100u"
3	Insertmolding	LCP	Black	2	UL 94V-0
4	Shell	Metal Alloy	Ni Plated	1	
5	Latch	SUS 301	Solder Area: Sn 100u"	1	
6	GND Plate	SUS 301	---	2	
7	PCB	---	---	1	

P/N.:5US4C01PM-124S0BUB41

USB 3.1 Type C Male With Paddle Card 24P



NO.	Name	Material	Finish	QTY	Remark
1	Housing	LCP	Black	1	UL 94V-0
2	Contact	C7025 TM03	Contact Area: Au 3u"	24	Solder Area: Sn 100u"
3	Insertmolding	LCP	Black	2	UL 94V-0
4	Shell	Metal Alloy	Ni Plated	1	
5	Latch	SUS 301	Solder Area: Sn 100u"	1	
6	GND Plate	SUS 301	---	2	
7	PCB	---	---	1	

P/N.:5US4C02PM-124S0BUB41