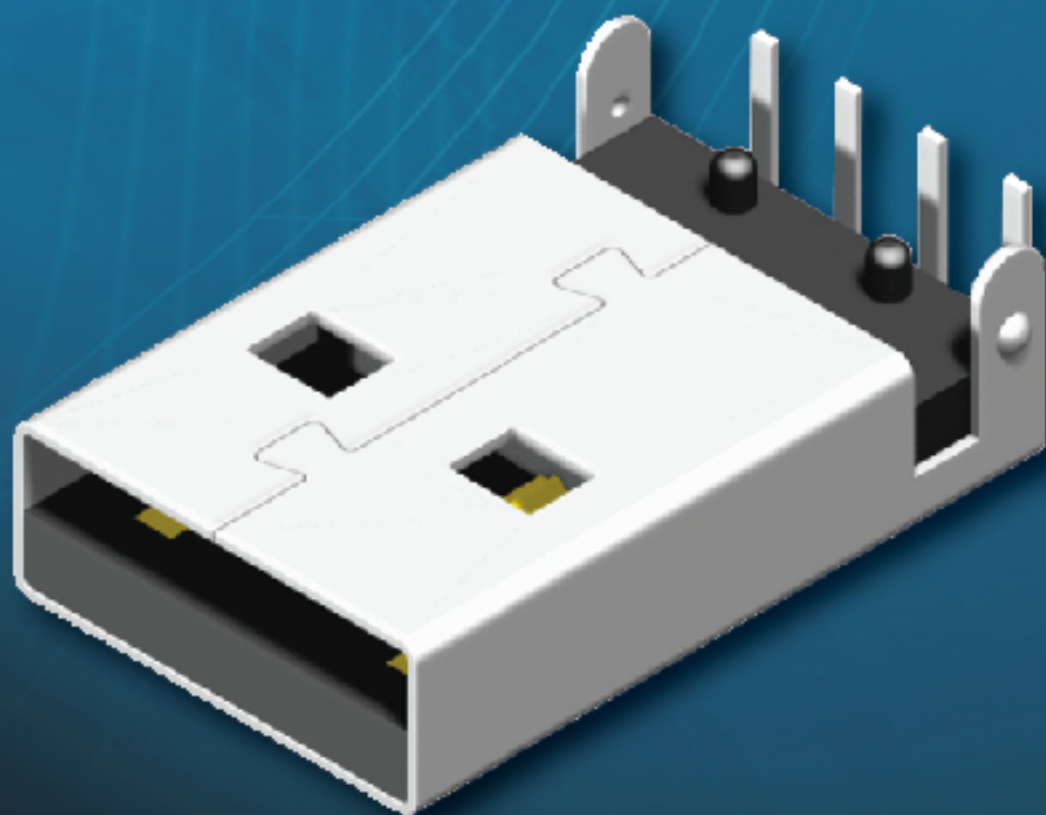


USB Connectors

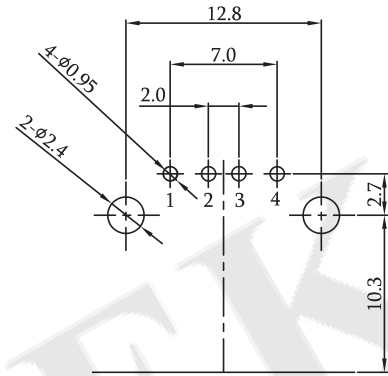
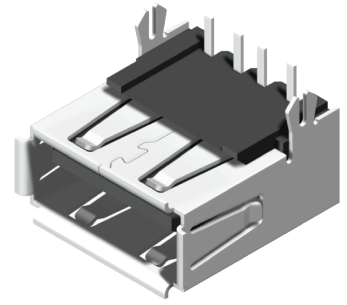
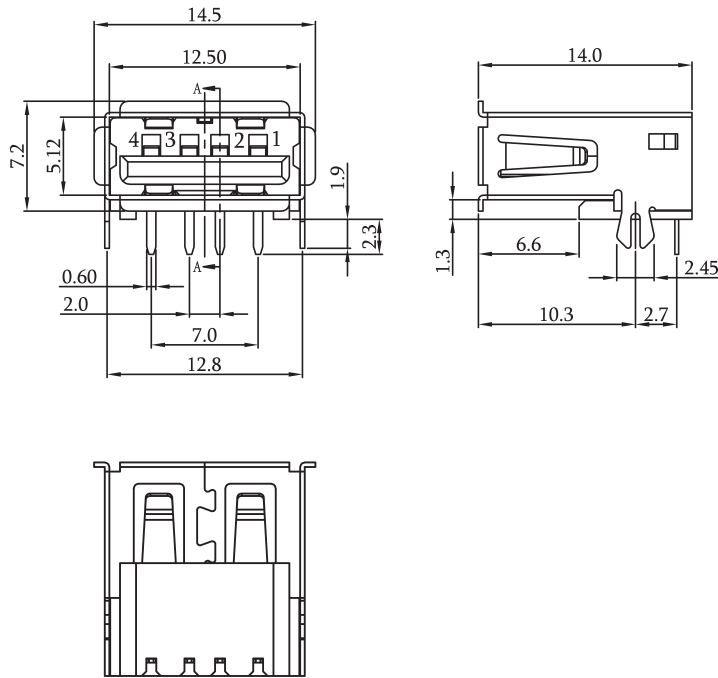
6-18~6-29

• USB



AMTEK Technology Co., Ltd

USB A Type Female Dip R/A Reverse Type 4P

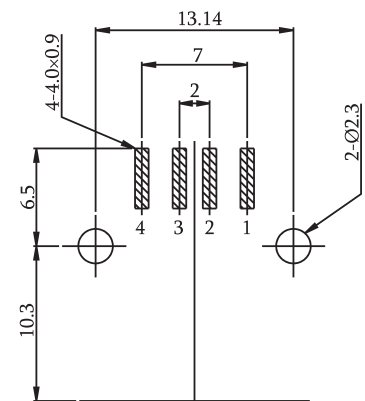
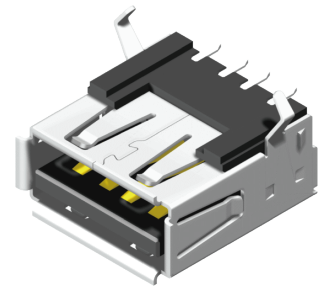
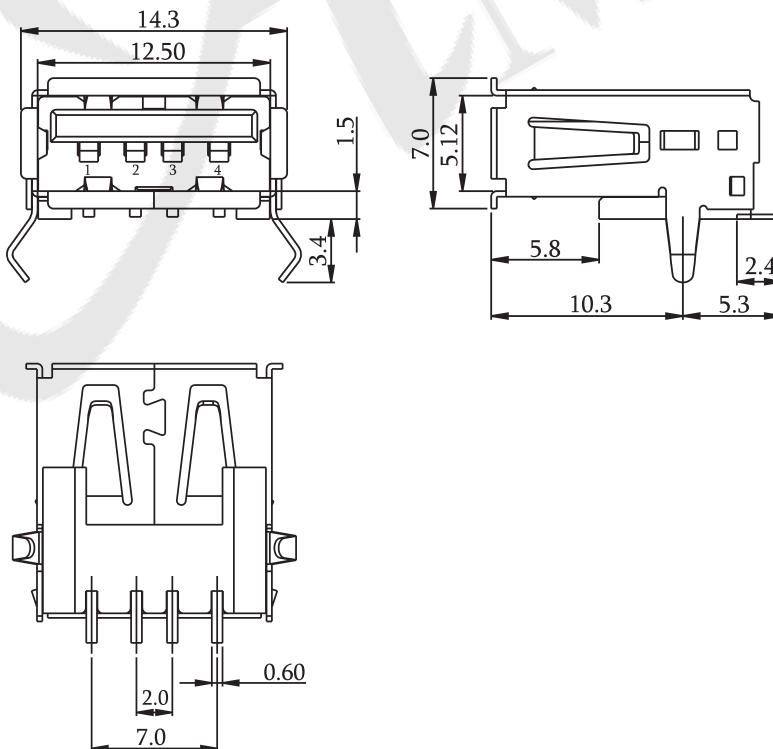


Recommended PCB Layout
(PCB TOLERANCE ±0.05)

NO.	Name	Material	Finish	QTY	Remark
1	Housing	PBT G.F.	Black	1	
2	Contact	Phos. Bronze T=0.25	Gold / Tin Plated	4	Gold:30u"/Gold:1~3u; Ni:40~60u"; Tin:120u"
3	Shell	Brass T=0.3	Nickel Plated	1	Ni:80~120u"

P/N.:5US2A02RF-104S0BLAD1
Old P/N:USB-001RD-AX-U

USB A Type Female SMT R/A Type 4P



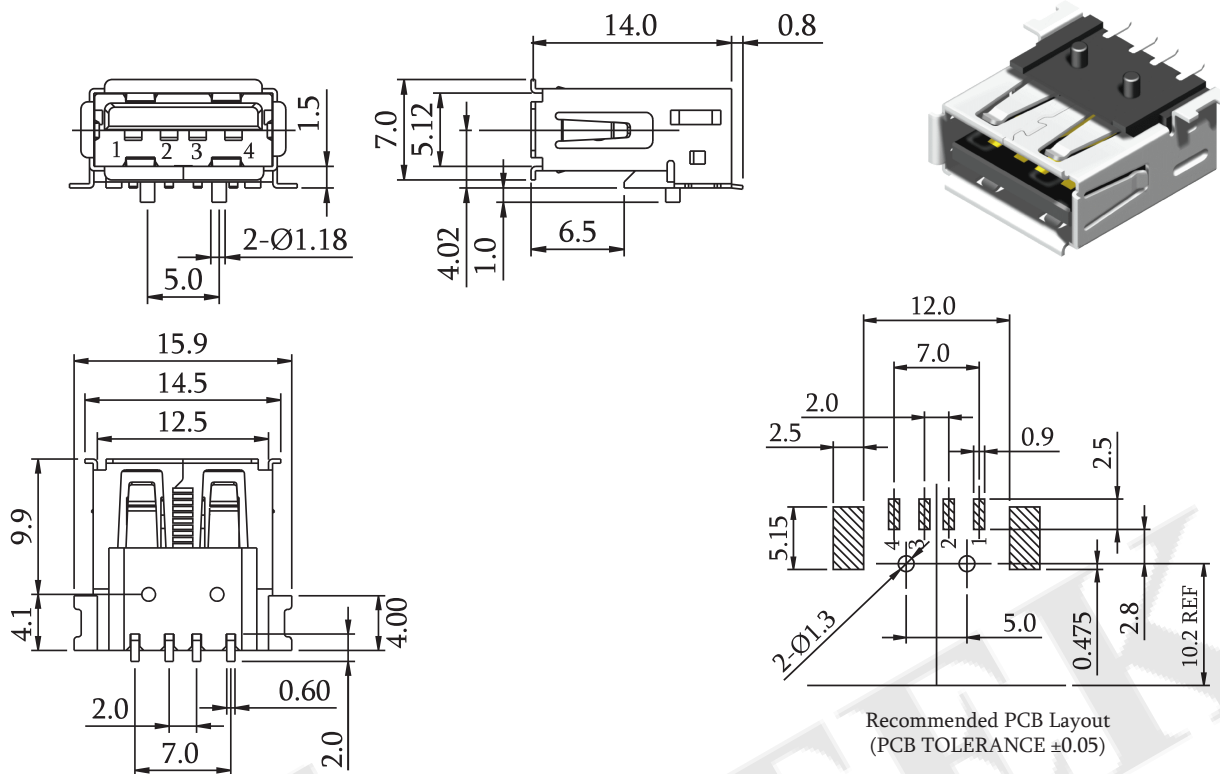
Recommended PCB Layout
(PCB TOLERANCE ±0.05)

NO.	Name	Material	Finish	QTY	Remark
1	Housing	Nylon PA9T G.F	Black / White	1	
2	Contact	Phos. Bronze T=0.25	Gold / Tin Plated	4	Gold:1~3u"; Gold 30u"; Ni:40~60u"; Tin:120u"
3	Shell	Brass T=0.3	Nickel Plated	1	Ni:80~120u"

P/N.:5US2A07MF-104XXXUXD1

S0: Selective | W:White | A:Tray W/O Cap
SD: Selective 30u" | B:Black | H:T/R W/O Cap
Old P/N:USB-001H-AX-U

USB A Type Female SMT R/A Type 4P With Peg



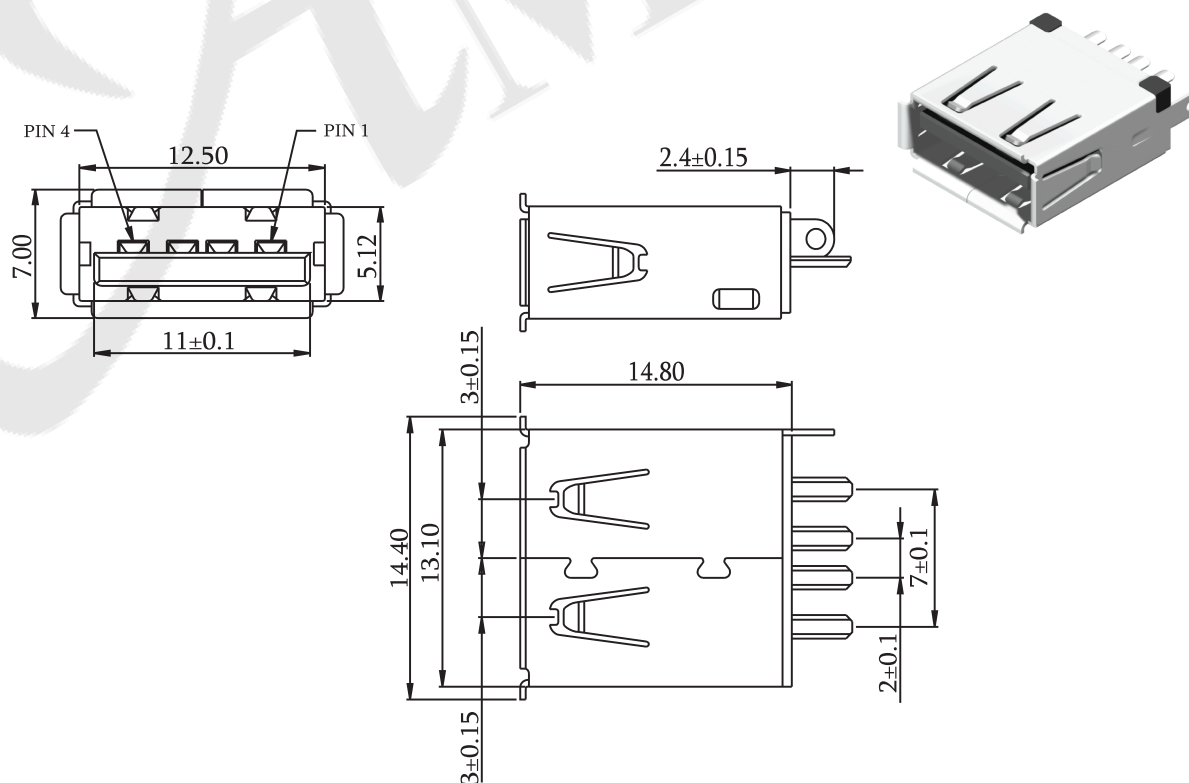
NO.	Name	Material	Finish	QTY	Remark
1	Housing	Nylon PA9T G.F	Black / White	1	
2	Contact	Phos. Bronze T=0.25	Gold / Tin Plated	4	Gold:1~3u; Ni:40~60u"; Tin:120u"
3	Shell	Brass T=0.3	Nickel Plated	1	Ni: 50u" Minimum

P/N: .5US2A08MF-104S0XUXD1

W: White | A: Tray W/O Cap
B: Black | H: T/R W/O Cap

Old P/N: USB-001H-AX-U

USB A Type Female Solder Type 4P

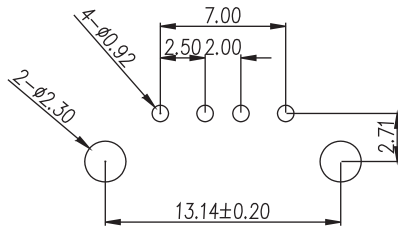
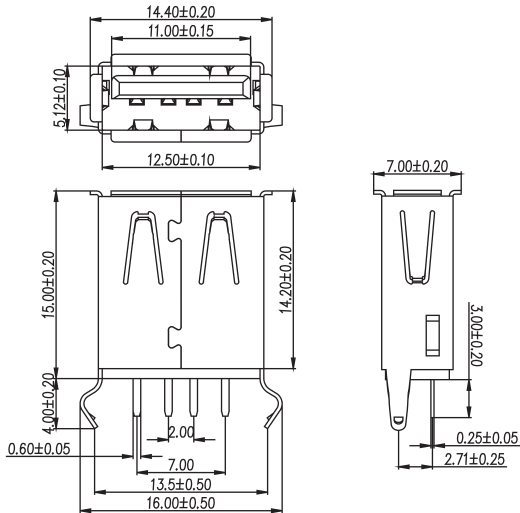


NO.	Name	Material	Finish	QTY	Remark
1	Housing	PBT	White	1	UL 94V-0
2	Contact	Brass	Contact area: 0.8~1.2u" Gold plated over 40u"Nickel min. Solder area: 80u~120u" Tin plated over 40u"Nickel min.	4	T=0.25mm
3	Shell	Brass	80~120u" Nickel Plated	1	T=0.30mm

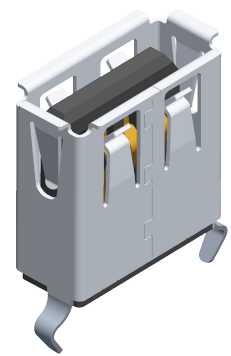
P/N: .5US2A15SF-104S0WLBC1

Old P/N: USB-FS-AW-L

USB A Type Female Dip Vertical Type 4P



Recommended PCB Layout
(PCB TOLERANCE ±0.05)



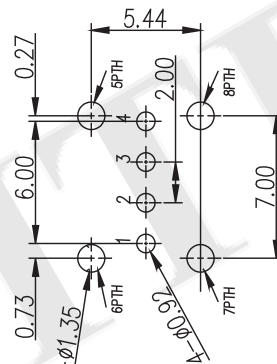
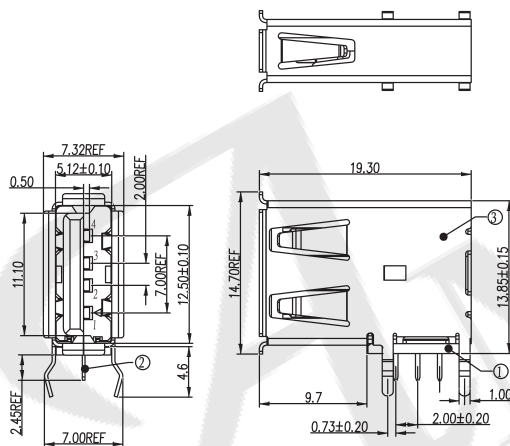
P/N.:5US2A04DF-104XXXLAC1

S0: Selective
SD: Selective 30u" | W: White
B: Black

Old P/N: USB-001K-AW-L

NO.	Name	Material	Finish	QTY	Remark
1	Housing	PBT	Black / White	1	UL 94V-0
2	Contact	Brass	Contact area: 0.8-1.2u" Gold plated over 40u" Nickel min. Solder area: 80u-120u" Tin plated over 40u" Nickel min.	4	T=0.25mm

USB A Type Female Dip Upright Type 4P



Recommended PCB Layout
(PCB TOLERANCE ±0.05)

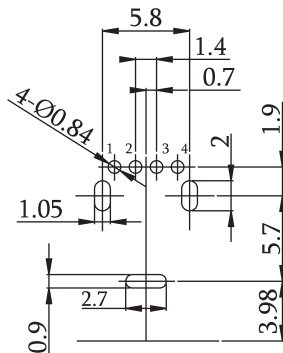
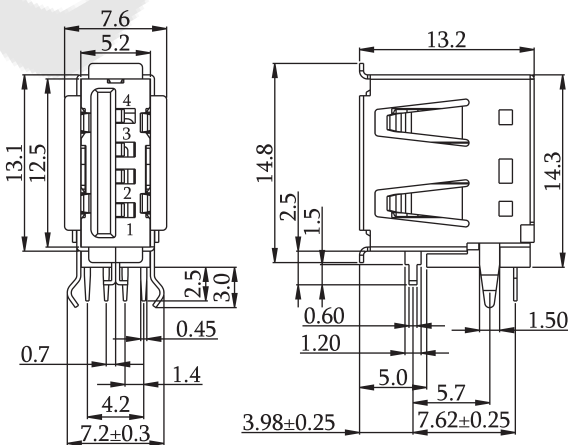


P/N.:5US2A05RF-104S0XLAC1

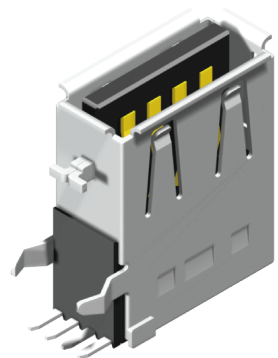
Old P/N: USB-001V-AX-L | B: Black W: White

NO.	Name	Material	Finish	QTY	Remark
1	Housing	PBT	Black / White	1	UL 94V-0
2	Contact	Copper Alloy	Contact area: 0.8u" Gold plated over 40u" Nickel min. Solder area: 80u" min Tin plated over 40u" Nickel min.	4	T=0.25mm
3	Shell	KUS70	100u" min. Nickel Plated	1	T=0.30mm

USB A Type Female Dip Upright Type 4P



Recommended PCB Layout
(PCB TOLERANCE ±0.05)



P/N.:5US2A06RF-104S0XUAD1

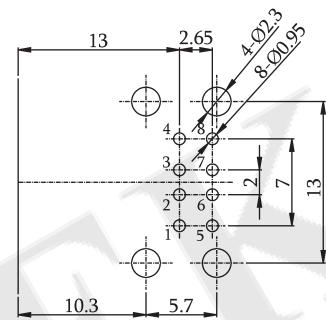
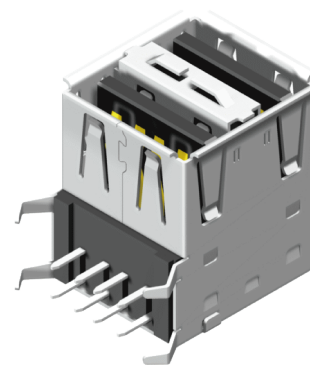
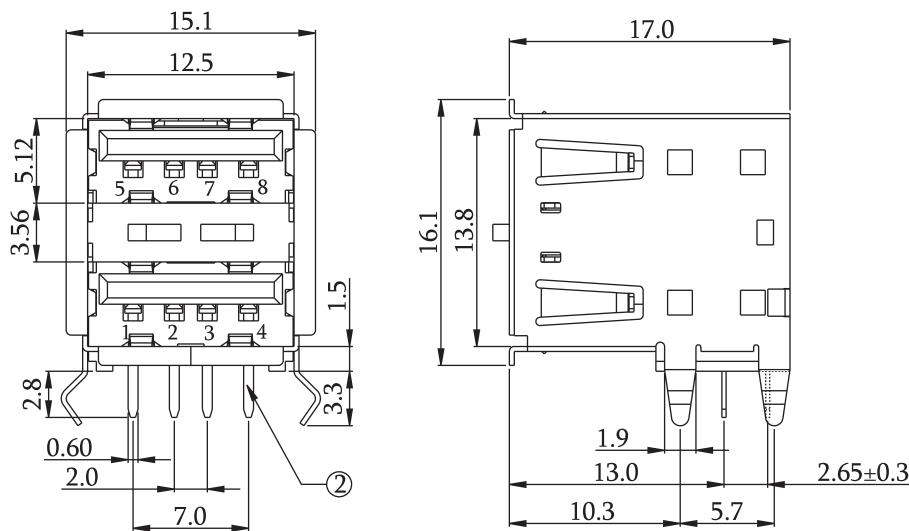
Old P/N: USB-001VF-AW-U | B: Black W: White

NO.	Name	Material	Finish	QTY	Remark
1	Housing	Nylon PA9T G.F	Black / White	1	
2	Contact	Phos. Bronze T=0.25	Gold / Tin Plated	4	Gold: 1-3u; Ni: 40-60u"; Tin: 120u"
3	Shell	Brass T=0.3	Nickel Plated	1	

USB Conn. Series

ROHS

USB A Type Female 2 Ports Dip R/A Type 8P



Recommended PCB Layout
(PCB TOLERANCE ±0.05)

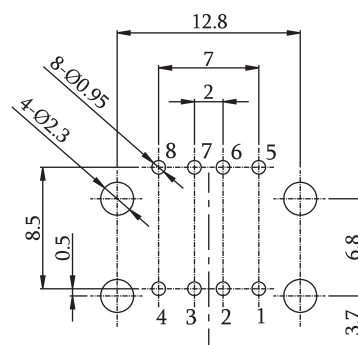
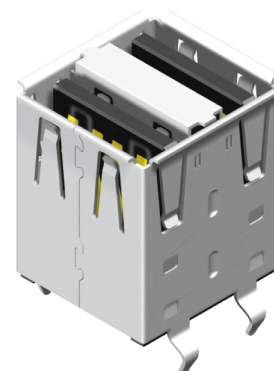
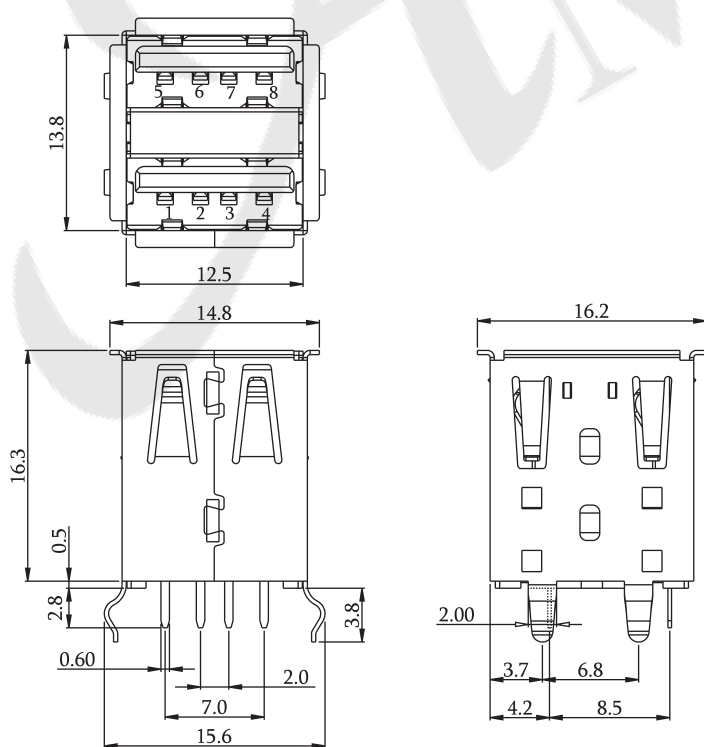
NO.	Name	Material	Finish	QTY	Remark
1	Housing	PBT G.F.	Black / White	1	
2	Contact	Phos. Bronze T=0.25	Gold / Tin Plated	8	Gold:1~3u; Ni:40~60u*; Tin:120u*
3	Shell	Brass T=0.3	Tin Plated	1	Tin:120~200u*
4	Spring Clip	Brass T=0.3	Tin Plated	1	Tin:120~200u*
5	Rear Shell	SPCC T=0.3	Nickel Plated	1	Ni:80~120u*

P/N.:5US2A18RF-204S0XLAD1

Old P/N:USB-002-AB-L

B:Black W:White

USB A Type Female 2 Ports Dip Vertical Type 8P



Recommended PCB Layout
(PCB TOLERANCE ±0.05)

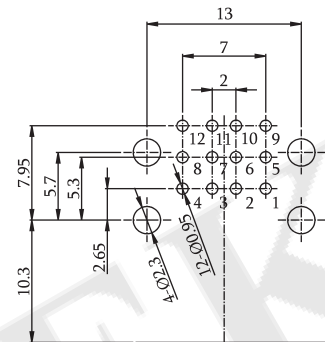
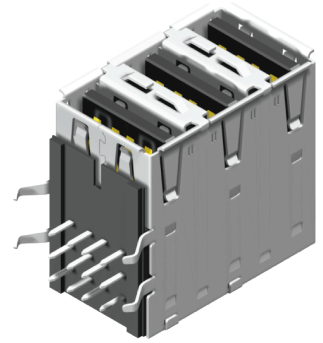
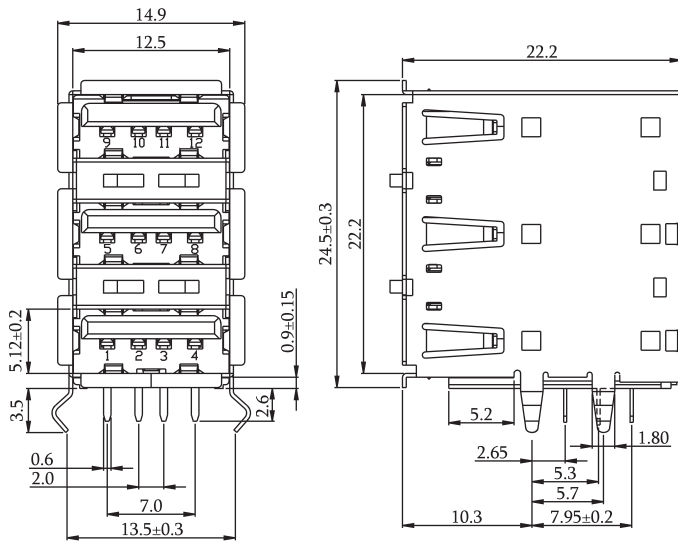
NO.	Name	Material	Finish	QTY	Remark
1	Housing	PBT G.F.	Black / White	1	
2	Contact	Phos. Bronze T=0.25	Gold / Tin Plated	8	Gold:1~3u; Ni:40~60u*; Tin:120u*
3	Shell	Brass T=0.3	Nickel Plated	1	Ni:80~120u*
4	Spring Clip	Brass T=0.3	Nickel Plated	1	Ni:80~120u*
5	Spacer	P.E.	Natural	2	

P/N.:5US2A19DF-204S0XLAD1

Old P/N:USB-002K-A1X-L

B:Black W:White

USB A Type Female 3 Ports Dip R/A Type 12P



NO.	Name	Material	Finish	QTY	Remark
1	Housing	PBT G.F.	Black	1	
2	Contact	Phos. Bronze T=0.25	Gold / Tin Plated	12	
3	Shell	Brass T=0.3	Tin Plated	1	Tin:120-200u*
4	Spring Clip	Brass T=0.3	Tin Plated	1	Tin:120-200u*
5	Rear Shell	SPCC T=0.3	Nickel Plated	1	Ni:80-120u*
6	Bottom Cover	PBT G.F.	Black	1	

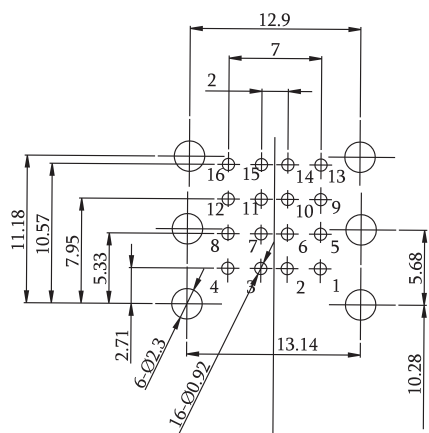
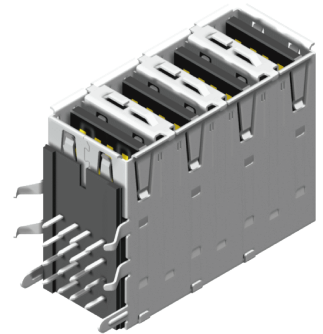
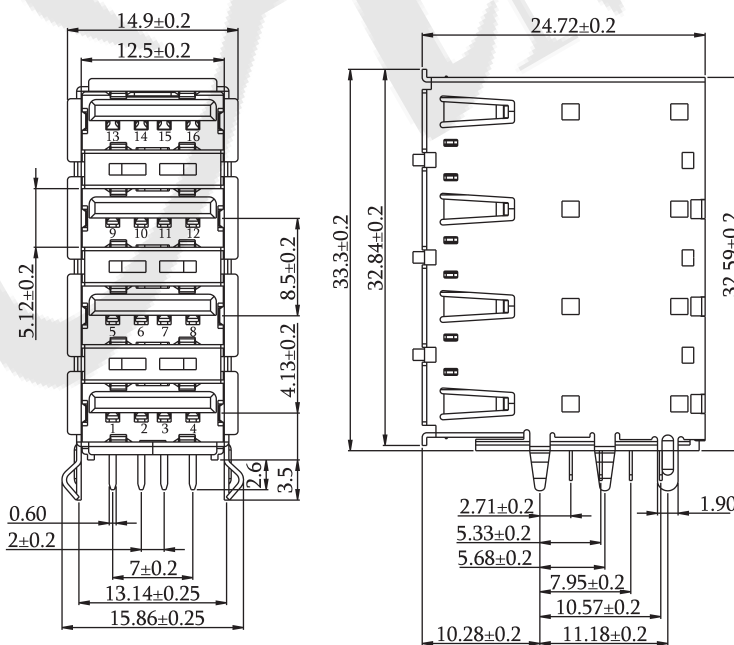
Recommended PCB Layout
(PCB TOLERANCE ±0.05)

P/N.:5US2A20RF-304XXBLAD1

Old P/N:USB-001K-AW-L

S0: Selective
SD: Selective 30u"

USB A Type Female 4 Ports Dip R/A Type 16P



NO.	Name	Material	Finish	QTY	Remark
1	Housing	PBT G.F.	Black	1	
2	Contact	Phos. Bronze T=0.25	Gold / Tin Plated	16	Gold:1-3u; Ni:40-60u*; Tin:120u*
3	Shell	Brass T=0.4	Tin Plated	1	Tin:120-200u*
4	Spring Clip	Brass T=0.3	Tin Plated	3	Tin:120-200u*
5	Rear Shell	SPCC T=0.3	Nickel Plated	1	Ni:80-120u*
6	Bottom Cover	PBT G.F.	Black	1	

Recommended PCB Layout
(PCB TOLERANCE ±0.05)

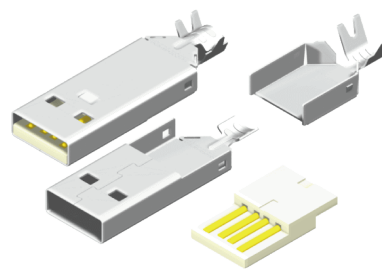
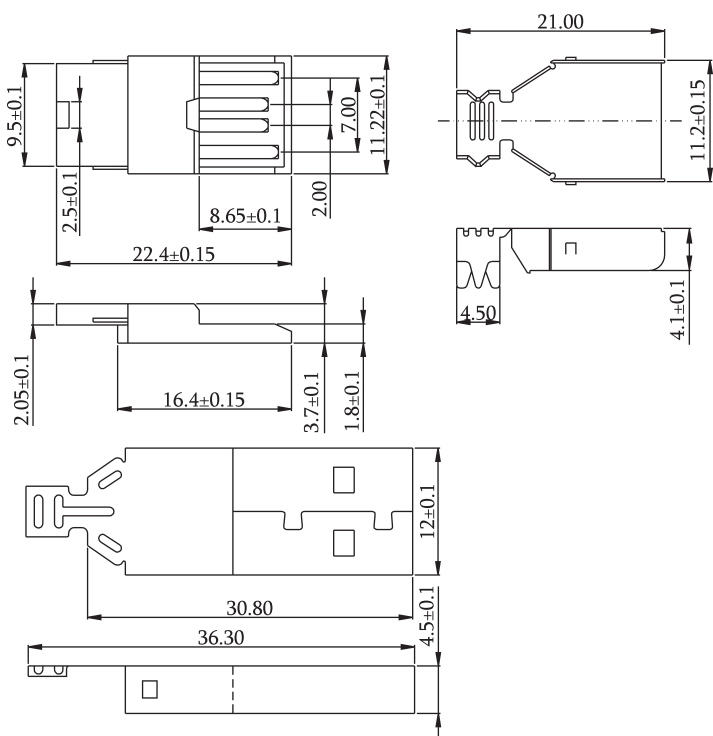
P/N.:5US2A21RF-404S0BLAD1

Old P/N:USB-004-AX-L

USB Conn. Series

ROHS

USB A Type Male Solder Type 4P

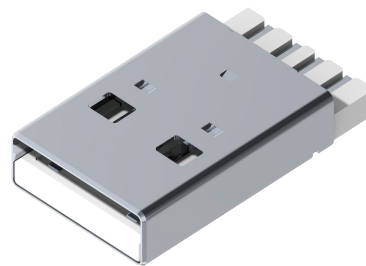
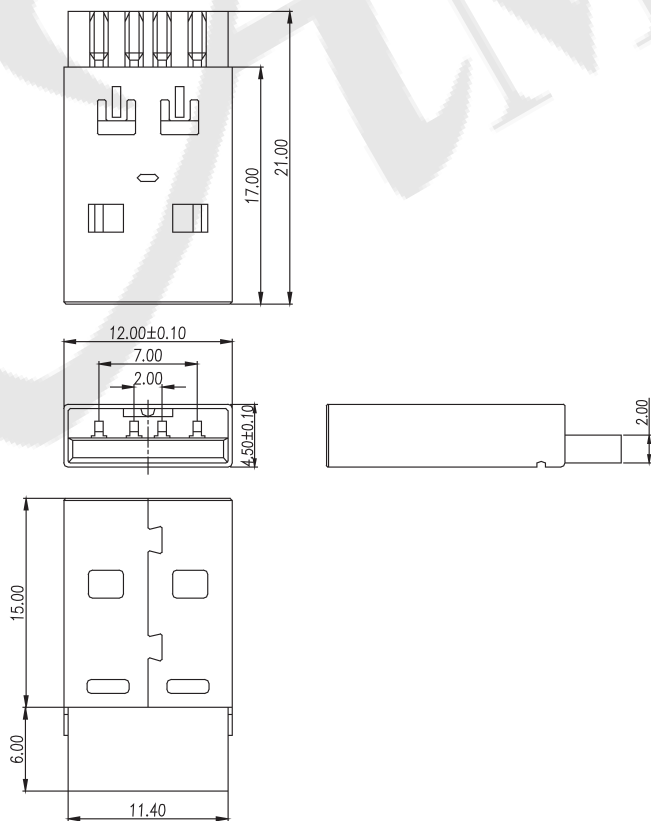


NO.	Name	Material	Finish	QTY	Remark
1	Housing	PBT	Black / White	2	UL 94V-0
2	Contact	Brass	Gold/ Tin Plated	4	T=0.20mm
3	Front-Shell	Cold Rolled Steel	Nickel Plated	1	T=0.35mm
4	Back-Shell	Cold Rolled Steel	Nickel Plated	1	T=0.35mm

P/N.:5US2A17SM-104S0XLBC1

Old P/N:USB-MSL-AX-L B:Black W:White

USB A Type Male Solder Type 4P



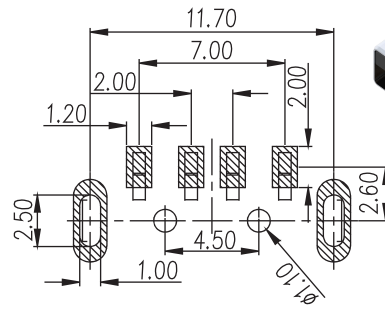
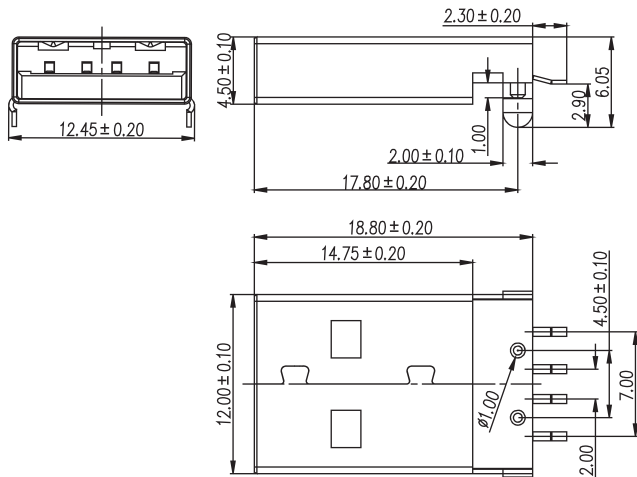
NO.	Name	Material	Finish	QTY	Remark
1	Housing	PBT	White/Black	1	UL 94V-0
2	Contact	Brass	Contact area: 0.8u" Gold plated over 40u"Nickel min. Solder area: 80u" Tin plated over 40u"Nickel min.	4	T=0.25mm
3	Shell	Cold Rolled Steel	80u" min Nickel Plated	1	T=0.30mm

P/N.:5US2A18SM-104S0XLXC1

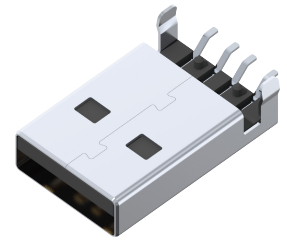
B:Black W:White

CONNECTORS MANUFACTURER

USB A Type Male SMT R/A Type 4P



Recommended PCB Layout
(PCB TOLERANCE ±0.05)

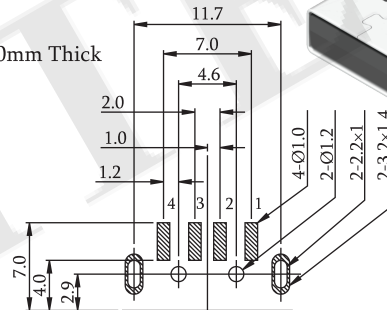
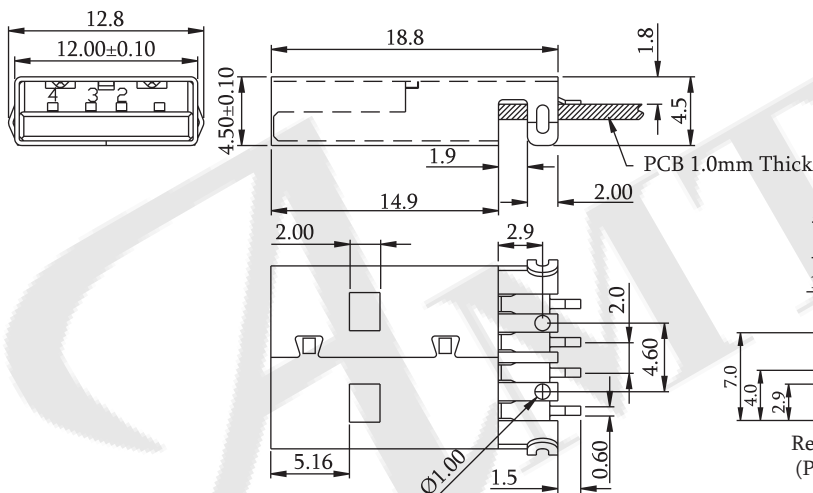


NO.	Name	Material	Finish	Q'TY	Remark
1	Housing	LCP	Black / White	1	UL 94V-0
2	Contact	Brass	Contact area: 0.8u" Gold plated over 40u" Nickel min. Solder area: 80u" min Tin plated over 40u" Nickel min.	4	T=0.25mm
3	Shell	Cold Rolled Steel	Gu:40u" min. 80u" min Nickel Plated	1	T=0.30mm

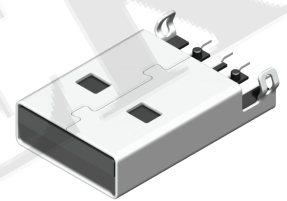
P/N.:5US2A12MM-104S0XUXC1

W:White A:Tray W/O Cap
B:Black H:Tape & Reel

USB A Type Male SMT R/A Sink Type 4P



Recommended PCB Layout
(PCB TOLERANCE ±0.05)

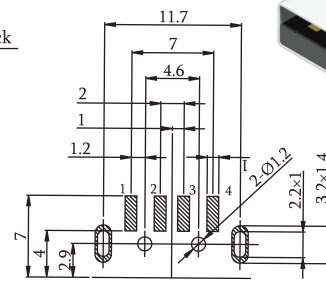
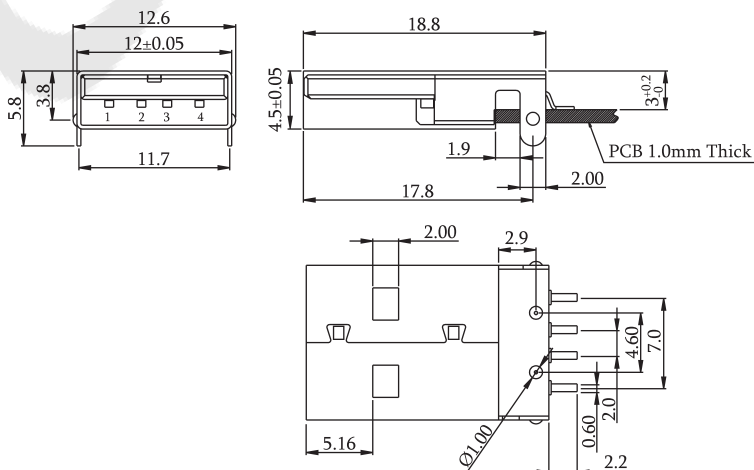


NO.	Name	Material	Finish	Q'TY	Remark
1	Housing	Nylon PA9T G.F	Black / White	1	
2	Contact	Phos. Bronze T=0.25	Gold / Tin Plated	4	Gold:1-3u; Ni:40-60u"; Tin:120u"
3	Shell	Brass T=0.3	Nickel Plated	1	Ni:80-120u"

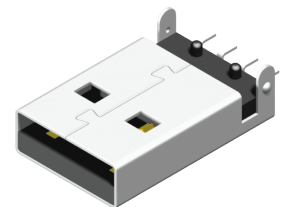
P/N.:5US2A13MM-104XXXUAD1

S0: Selective SD: Selective 30u" W:White
B:Black

USB A Type Male SMT R/A Reverse Type 4P



Recommended PCB Layout
(PCB TOLERANCE ±0.05)



NO.	Name	Material	Finish	Q'TY	Remark
1	Housing	Nylon PA9T G.F	Black / White	1	
2	Contact	Phos. Bronze T=0.25	Gold / Tin Plated	4	Gold:1-3u; Ni:40-60u"; Tin:120u"
3	Shell	SPCC T=0.3	Nickel Plated	1	Ni:80-120u"

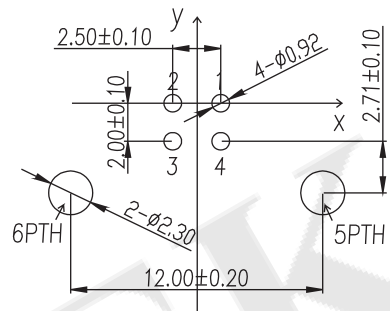
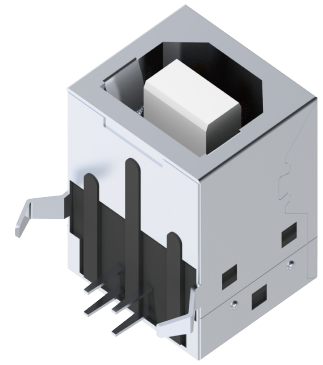
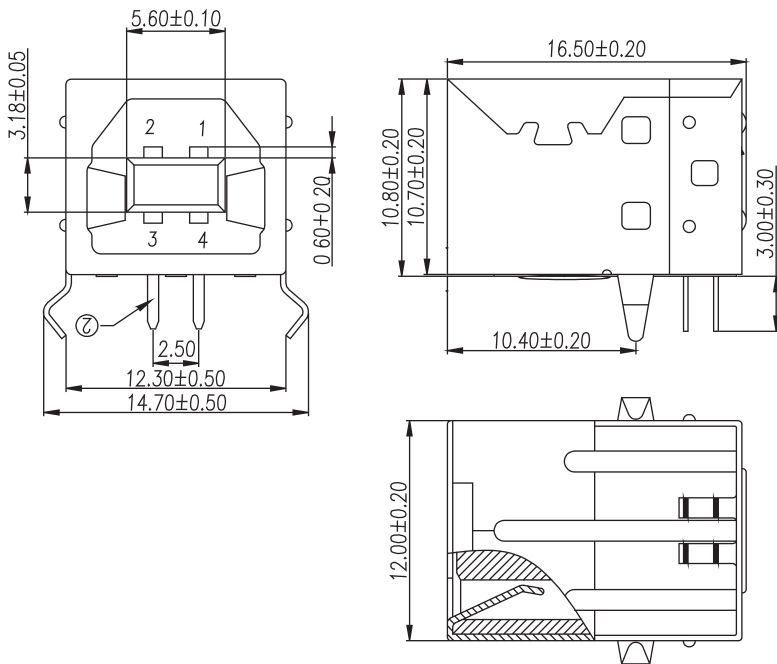
P/N.:5US2A16MM-104S0XUAD1

Old P/N:USB-001MRS-AXS-U B:Black W:White

USB Conn. Series

ROHS

USB B Type Female Dip R/A Type 4P



Recommended PCB Layout
(PCB TOLERANCE ±0.05)

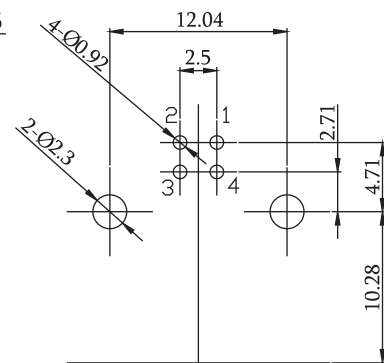
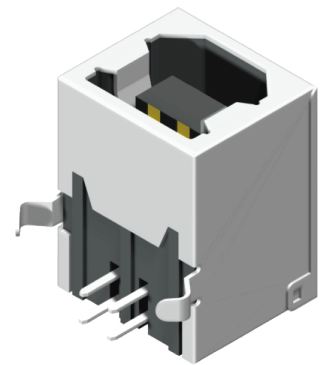
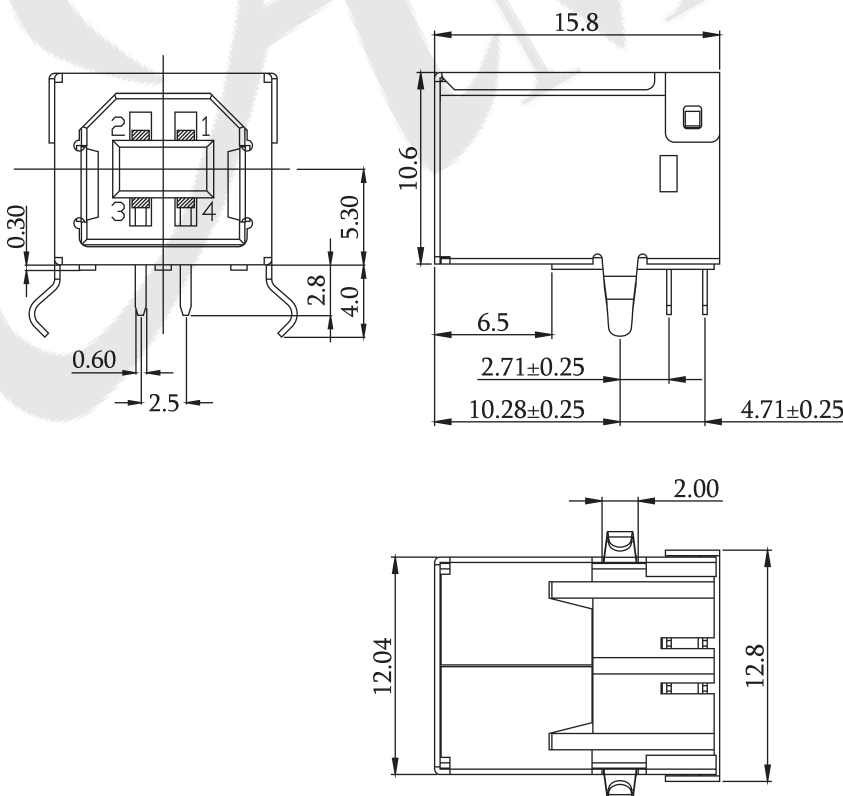
P/N.:5US2B01RF-104XXXLAC1

S0: Selective SD: Selective 30u" | W: White B: Black

Old P/N: USB-001-BX-L

NO.	Name	Material	Finish	Q'TY	Remark
1	Housing	PBT	Black / White	1	UL 94V-0
2	Contact	Brass	Contact area: 0.8u" min. Gold plated over 40u" Nickel min. Solder area: 80u" min. Tin plated over 40u" Nickel min.	4	T=0.25mm
3	Shell	Steel	Cu:40u" min. 80u" min Nickel Plated	1	T=0.30mm
4	Back-Shell	Steel	Cu:40u" min. 80u" min Nickel Plated	1	T=0.30mm

USB B Type Female Dip R/A Type 4P W/O Back Shell



Recommended PCB Layout
(PCB TOLERANCE ±0.05)

P/N.:5US2B02RF-104S0XLAD1

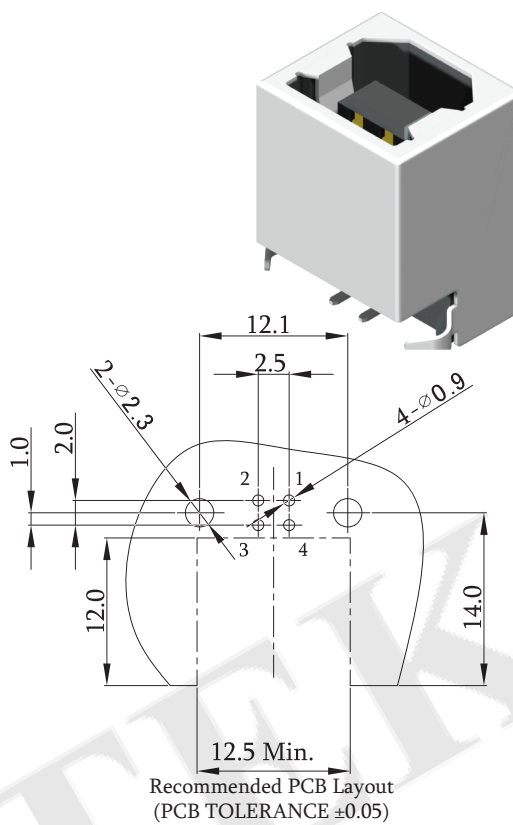
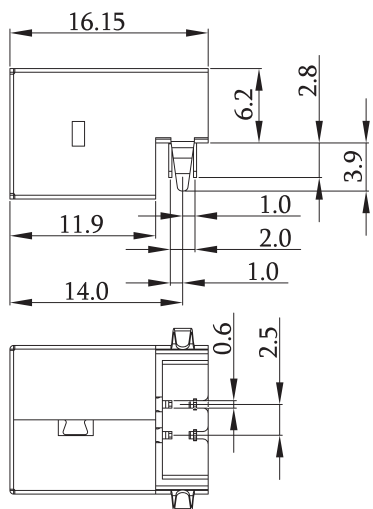
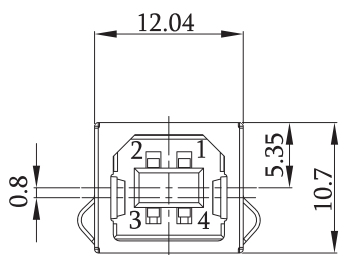
Old P/N: USB-001F-BB/W-L B: Black W: White

NO.	Name	Material	Finish	Q'TY	Remark
1	Housing	PBT G.F.	Black / White	1	
2	Contact	Phos. Bronze T=0.25	Gold / Tin Plated	4	Gold:1-3u; Ni:40-60u"; Tin:120u"
3	Shell	Brass T=0.3	Nickel Plated	1	Ni:80-120u"

U SB Conn. Series

ROHS

USB B Type Female Dip R/A Sink Type 4P

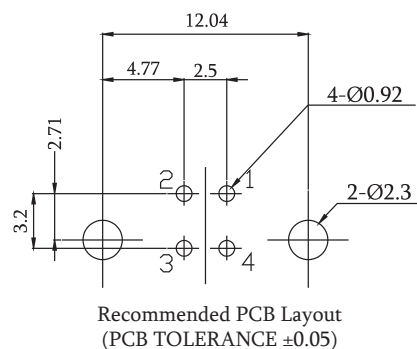
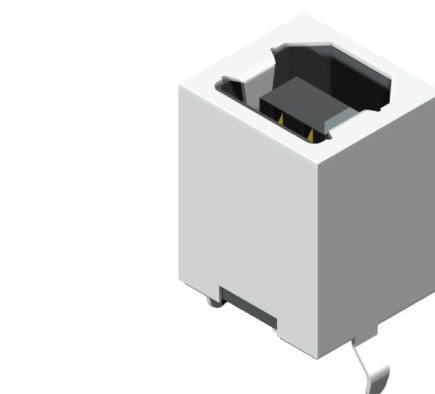
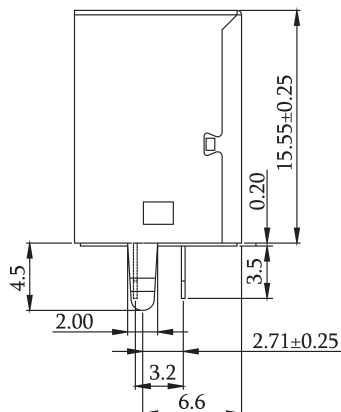
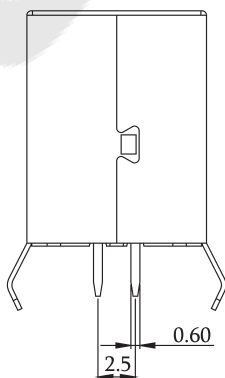
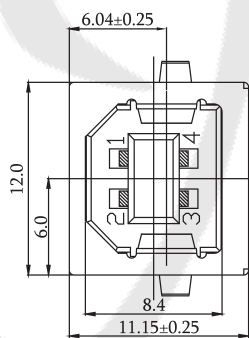


NO.	Name	Material	Finish	Q'TY	Remark
1	Housing	PBT G.F.	White	1	
2	Contact	Phos. Bronze T=0.25	Gold / Tin Plated	4	Gold:1~3u; Ni:40~60u*; Tin:120u*

P/N.:5US2B03RF-104S0XLAD1

Old P/N:USB-001D-BX-L B:Black W:White

USB B Type Female Dip Vertical Type 4P



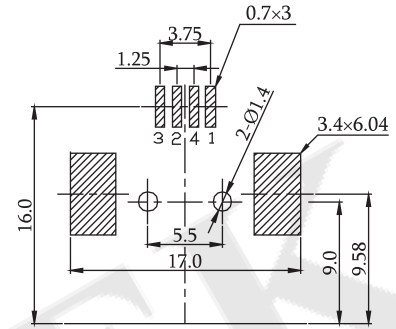
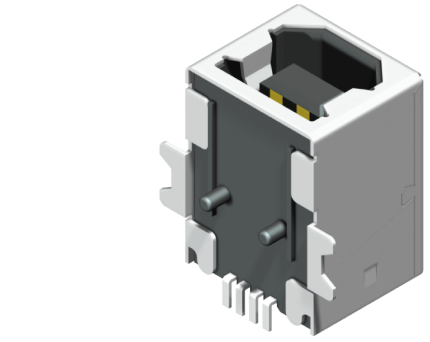
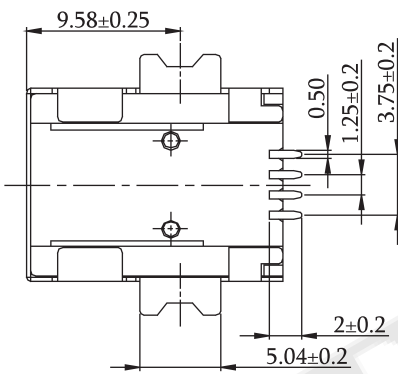
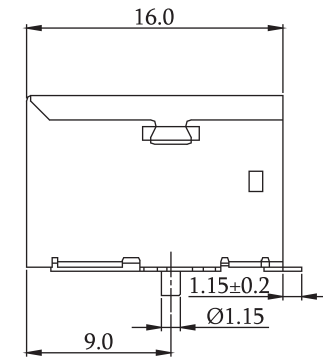
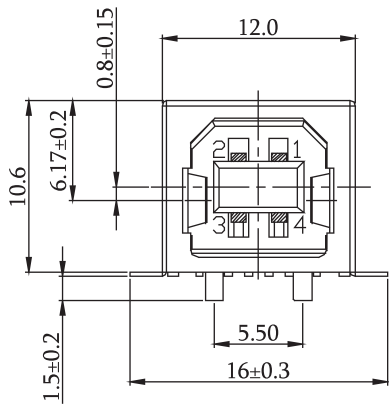
NO.	Name	Material	Finish	Q'TY	Remark
1	Housing	PBT G.F.	Black / White	1	
2	Contact	Phos. Bronze T=0.25	Gold / Tin Plated	4	Gold:1~3u; Ni:40~60u*; Tin:120u*
3	Shell	Brass T=0.3	Nickel Plated	1	Ni:80~120u*
4	Bottom Cover	PBT G.F.	Black / White	1	

P/N.:5US2B04DF-104XXXLAD1

S0: Selective W:White
SD: Selective 30u" B:Black

Old P/N:USB-001K-BX-L

USB B Type Female SMT R/A Type 4P



Recommended PCB Layout
(PCB TOLERANCE ±0.05)

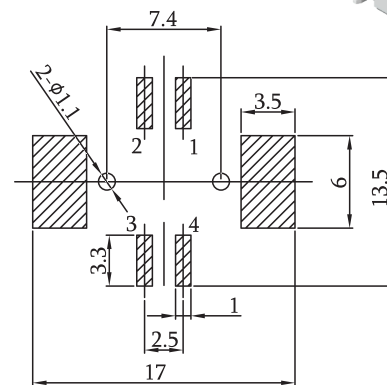
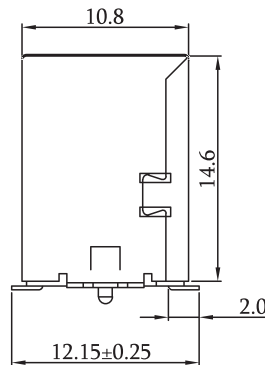
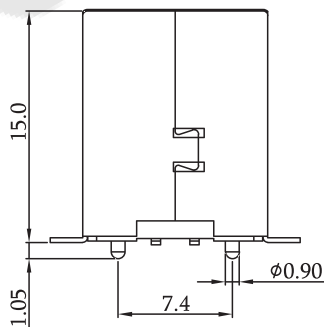
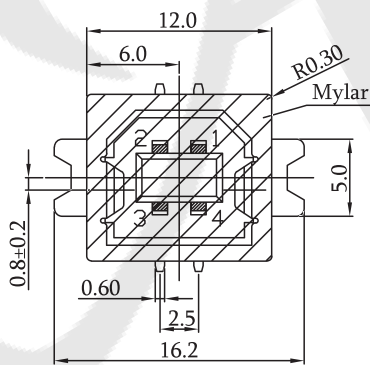
P/N.:5US2B05MF-104S0XUXD1

W:White A:Tray W/O Cap
B:Black H:T/R W/O Cap

Old P/N:USB-001H-BX-U

NO.	Name	Material	Finish	QTY	Remark
1	Housing	Nylon PA9T G.F	White / Black	1	UL 94V-0
2	Contact	Phos. Bronze T=0.25	Gold / Tin Plated	4	Gold:1-3u; Ni:40-60u"; Tin:120u"
3	Shell	Brass T=0.3	Nickel Plated	1	Ni: 50u" Minimum

USB B Type Female SMT Vertical Type 4P



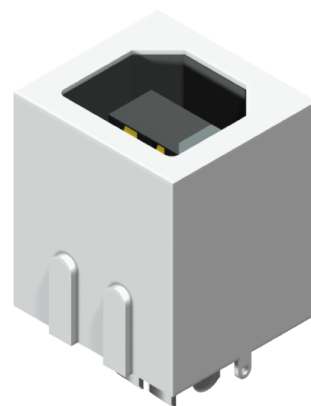
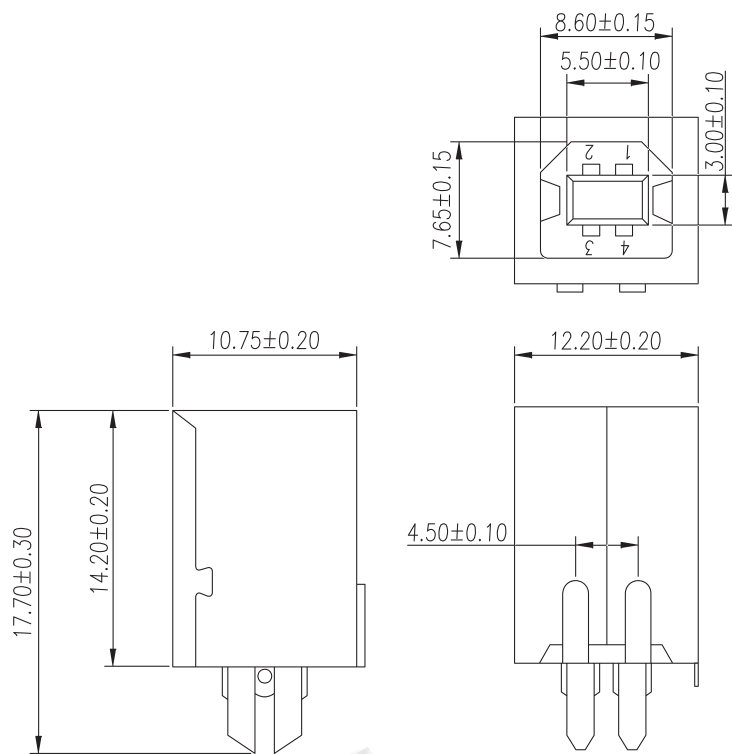
Recommended PCB Layout
(PCB TOLERANCE ±0.05)

P/N.:5US2B06GF-104S0XUXD1

W:White A:Tray
B:Black G:Tray With Mylar
M:T/R With Mylar

NO.	Name	Material	Finish	QTY	Remark
1	Housing	Nylon PA9T G.F	White / Black	1	
2	Contact	Phos. Bronze T=0.25	Gold / Tin Plated	4	Gold:1-3u; Ni:40-60u"; Tin:120u"
3	Shell	Brass T=0.3	Nickel Plated	1	Ni: 50u" Minimum
4	Mylar Tape	Mylar	Yellow	1	

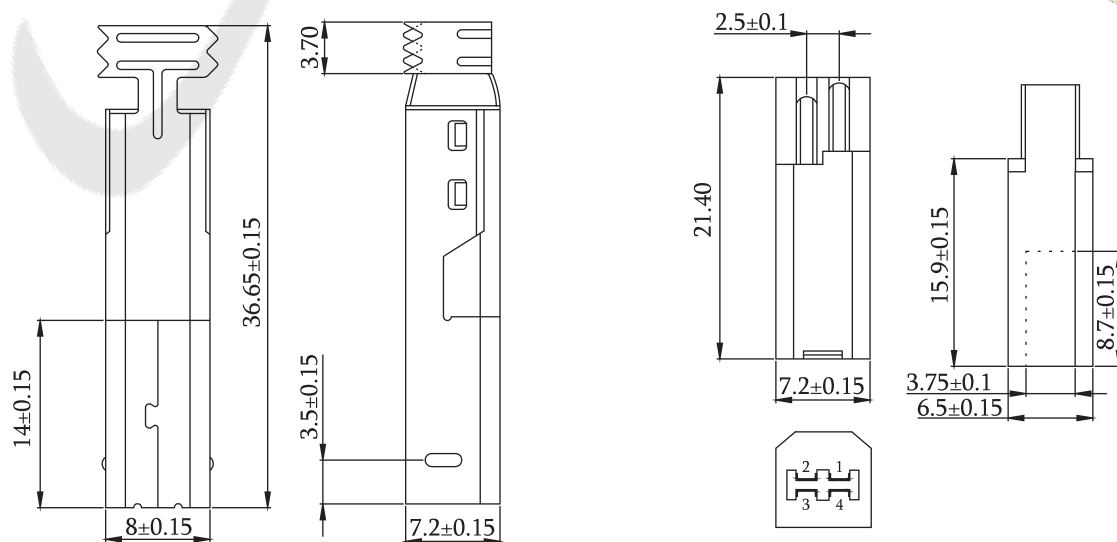
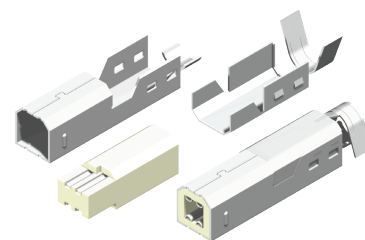
USB B Type Female Solder Type 4P



NO.	Name	Material	Finish	QTY	Remark
1	Housing	PBT	White	1	UL 94V-0
2	Contact	Brass	Selective Au* Flash	4	T=0.25mm
3	Shell	Brass	Nickel Plated	1	T=0.30mm

P/N.:5US2B07SF-104S0WLBC1
Old P/N:USB-FS-BW-L

USB B Type Male Solder Type 4P



NO.	Name	Material	Finish	QTY	Remark
1	Housing	PBT	Ivory	1	UL 94V-0
2	Contact	Brass	Gold/Tin Plated	4	T=0.25mm
3	Front-Shell	Cold Rolled Steel	Nickel Plated	1	T=0.30mm
4	Back-Shell	Cold Rolled Steel	Nickel Plated	1	T=0.30mm

P/N.:5US2B08SM-104S0WLBC1
Old P/N:USB-MSL-BW-L