

# Mini&Micro USB Connectors

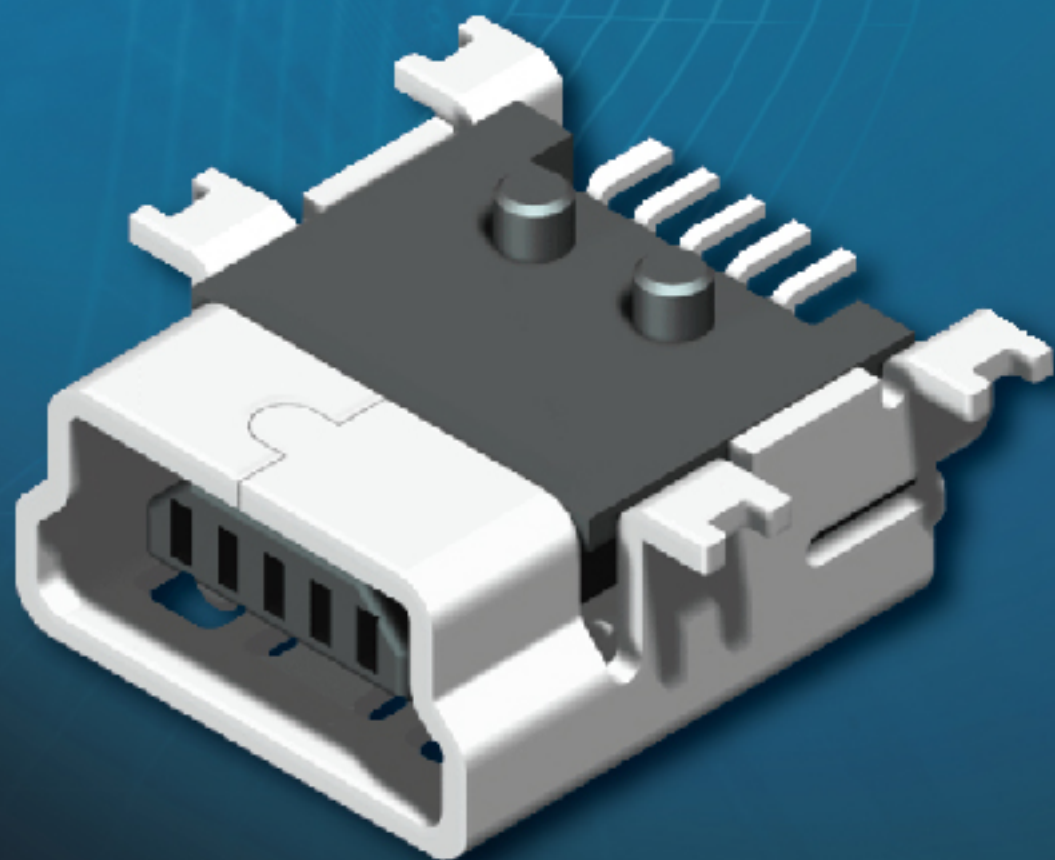
---

6-14~6-16

• Mini USB

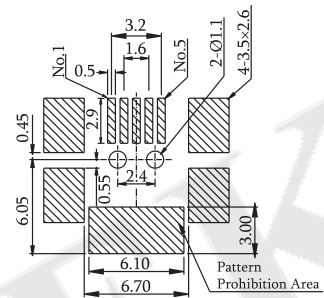
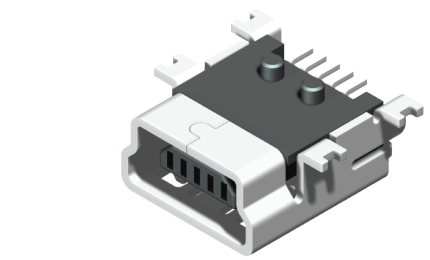
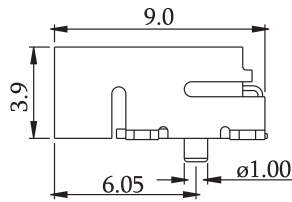
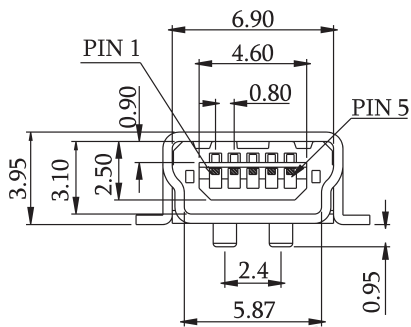
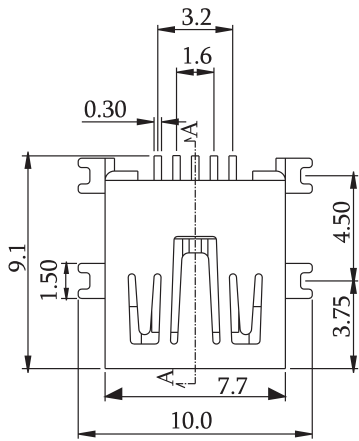
6-16~6-17

• Micro USB



**AMTEK Technology Co., Ltd**

## Mini USB B Type Female SMT R/A Type 5P

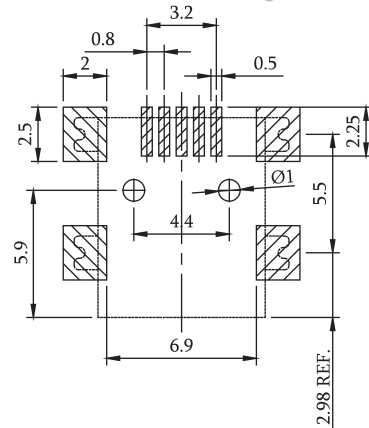
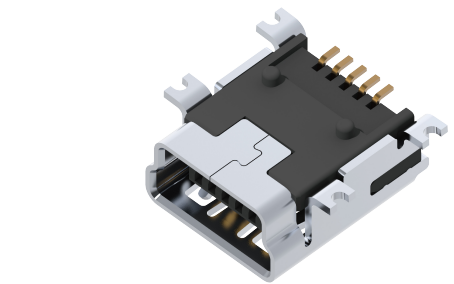
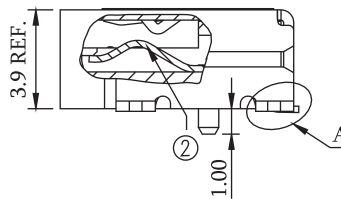
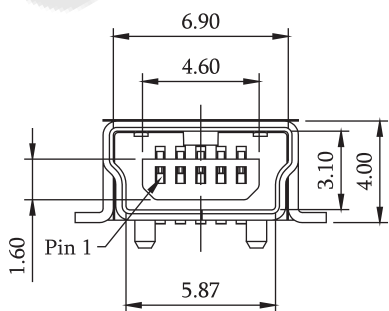
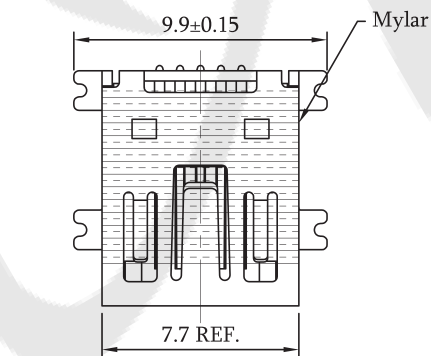


Recommended PCB Layout  
(PCB TOLERANCE  $\pm 0.05$ )

NO.	Name	Material	Finish	QTY	Remark
1	Housing	Nylon PA9T G.F.	Black	1	
2	Contact	PBS T=0.2	Gold / Tin Plated	5	Gold:30u"; Ni:40-60u"; Tin:120u"
3	Shell	Brass T=0.4	Nickel Plated	1	Ni:50u" Minimum
4	Center Pastern	Nylon PA9T G.F.	Black	1	

**P/N.:5UM2B01MF-105SDBUAD1**  
Old P/N: MUSB-BS-5-U

## Mini USB B Type Female SMT R/A Type 5P



Recommended PCB Layout  
(PCB TOLERANCE  $\pm 0.05$ )

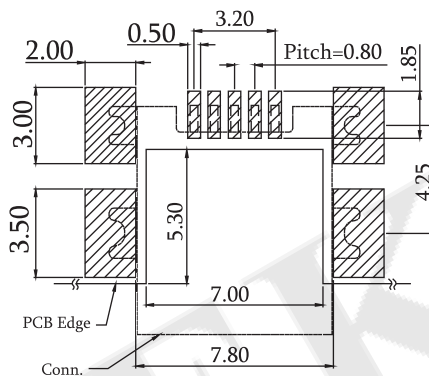
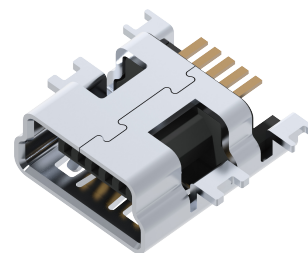
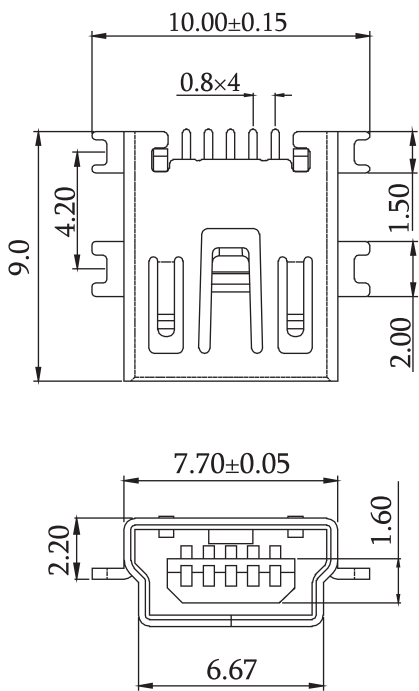
NO.	Name	Material	Finish	QTY	Remark
1	Housing	LCP	Black	1	UL 94V-0
2	Contact	Copper Alloy	Gold / Tin Plated	5	T=0.25mm
3	Shell	Copper Alloy	Nickel Plated	1	T=0.40mm

**P/N.:5UM2B02MF-105S0BUXCX**  
H:T/R W/O Mylar M:T/R With Mylar  
Old P/N: MUSB-BS-5B-U

Mini USB

ROHS

## Mini USB B Type Female SMT R/A Sink Type 5P

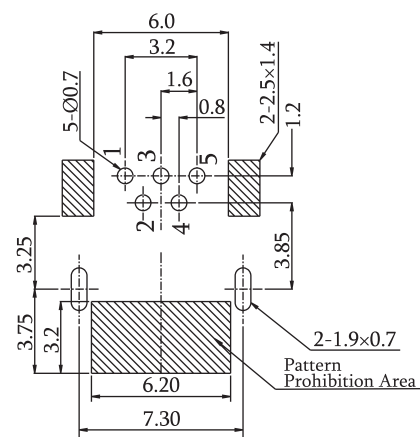
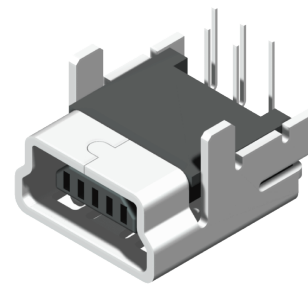
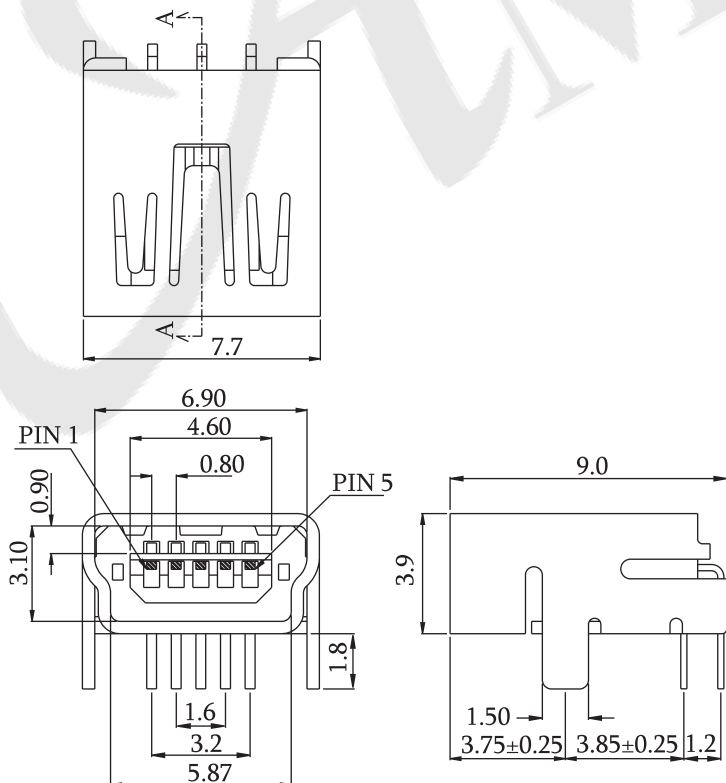


Recommended PCB Layout  
(PCB TOLERANCE ±0.05)

NO.	Name	Material	Finish	QTY
1	Housing	LCP	Black	1
2	Contact	Phos. Bronze	Gold / Tin Plated	5
3	Shell	Brass	Nickel Plated	1

P/N.:5UM2B02MF-105S0BUH41

## Mini USB B Type Female Dip R/A Type 5P



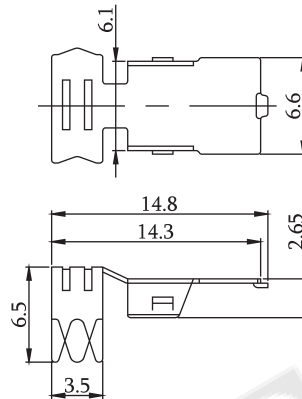
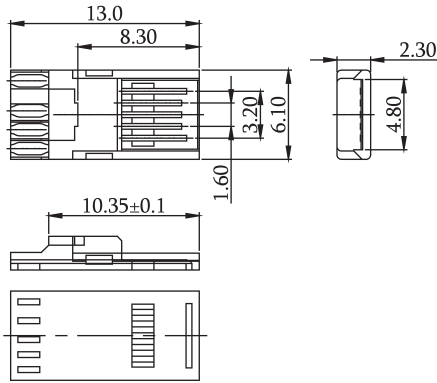
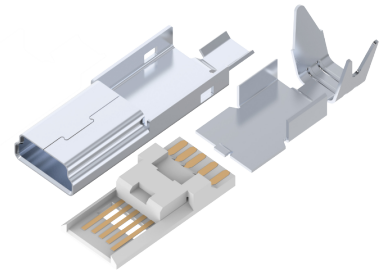
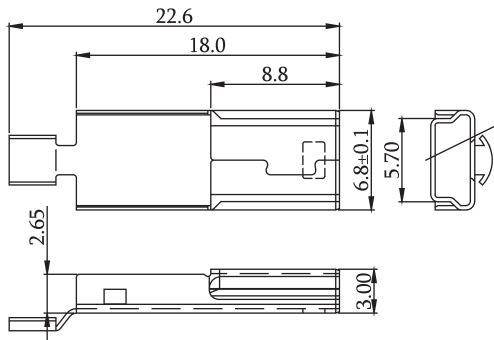
Recommended PCB Layout  
(PCB TOLERANCE ±0.05)

NO.	Name	Material	Finish	QTY
1	Housing	Nylon PA9T G.F.	Black	1
2	Contact	PBS T-0.2	Gold / Tin Plated	5
3	Shell	Brass T-0.4	Nickel Plated	1
4	Center Pastern	Nylon PA9T G.F.	Black	1

P/N.:5UM2B04RF-105XXBUAD1

Old P/N.:MUSB-BD-5-U

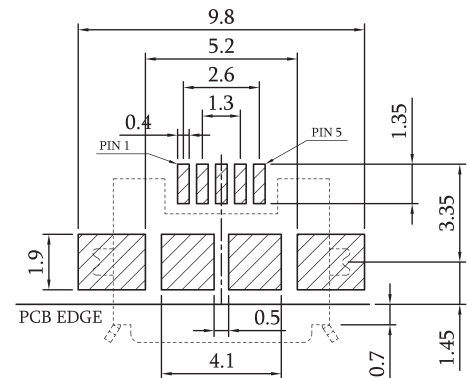
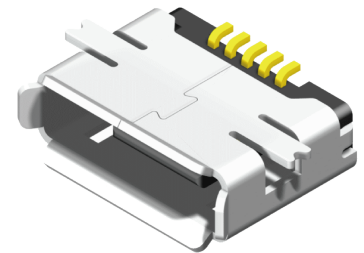
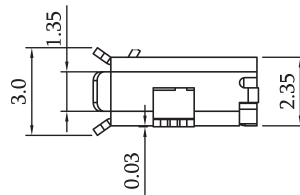
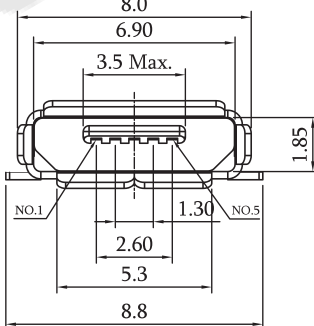
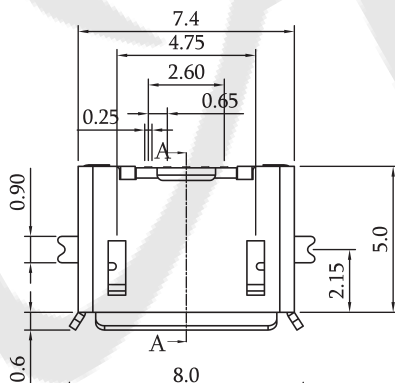
## Mini USB B Type Male Solder Type 5P



NO.	Name	Material	Finish	Q'TY	Remark
1	Housing	LCP	Black	1	UL 94V-0
2	Contact	Brass	Contact area: 0.8u" Gold plated over 40u" Nickel min. Solder area: 80u" Tin plated over 40u" Nickel min.	5	T=0.25mm
3	Front Shell	Cold Rolled Steel	Cu:40u" Min. 80u" min Nickel Plated	1	T=0.30mm
4	Back Shell	Cold Rolled Steel	Cu:40u" Min. 80u" min Nickel Plated	1	T=0.30mm

P/N.:5UM2B01SM-105S0BUAC2

## Micro USB AB Type Female SMT R/A Type 5P



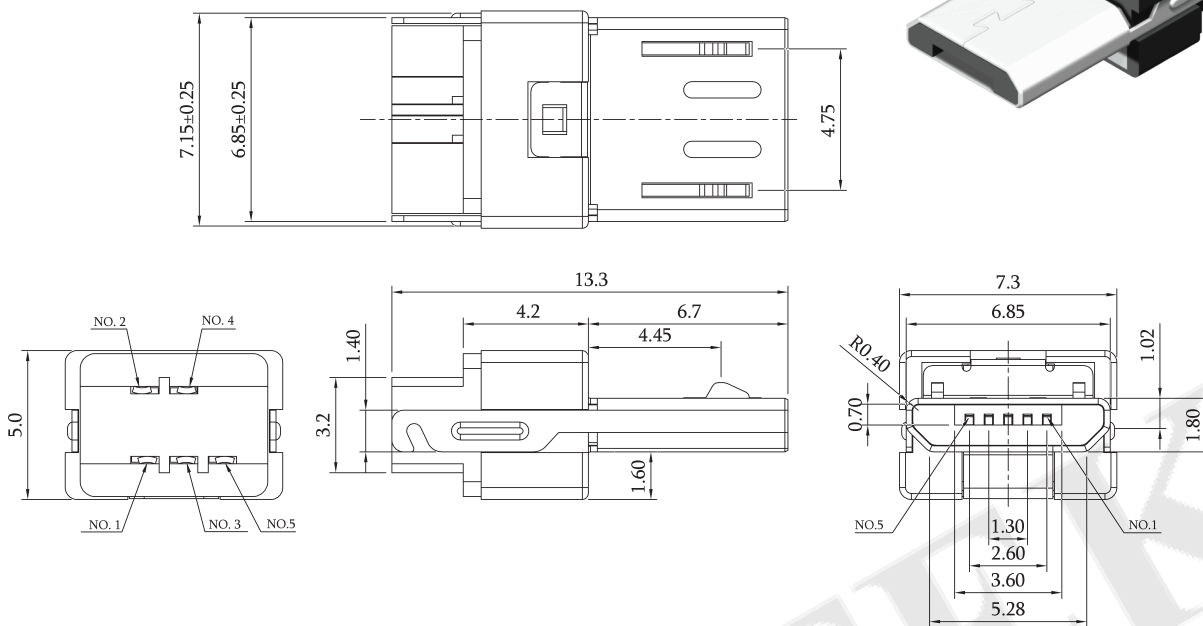
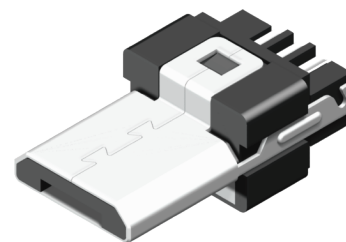
Recommended PCB Layout  
(PCB TOLERANCE ±0.05)

NO.	Name	Material	Finish	Q'TY	Remark
1	Housing	LCP+GF 30%	Black	1	
2	Contact	Phos. Bronze T=0.20	Gold Plated	5	Contact area: Gold 30u" Other area: Gold 1u"
3	Shell	Stainless steel T=0.25	Nickel Plated	1	Ni: 50u" Minimum

P/N.:5UR2M01MF-105GDBUHD1

Old P/N.:MIUSB-F5M-ABB-U

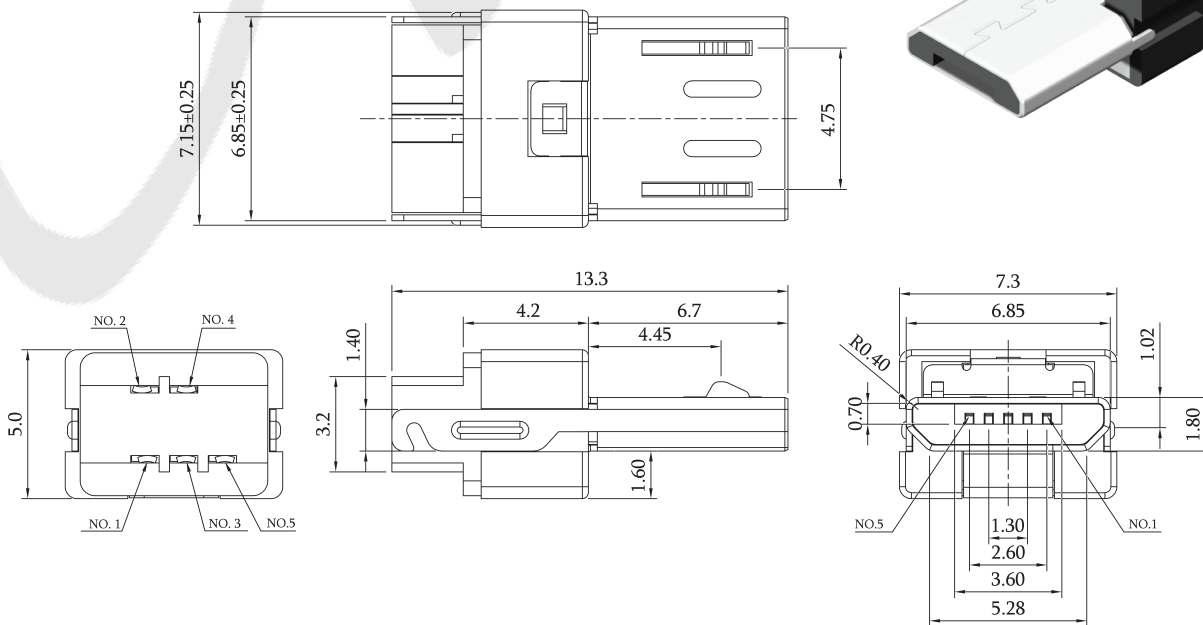
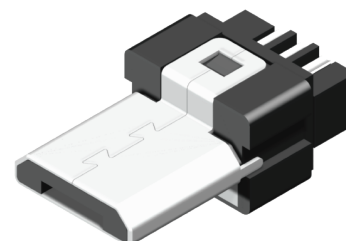
## Micro USB B Type Male Solder Type 5P



NO.	Name	Material	Finish	QTY	Remark
1	Housing	LCP+GF 30%	Black	1	
2	Contact	PBS T=0.20	Gold / Tin Plated	5	Ni:80~120u"; Gold:30u";Tin:120~200u"
3	Shell	Stainless steel T=0.20	Nickel Plated	1	Ni:80~120u"
4	Cover	LCP+GF 30%	Black	1	
5	Spring	Stainless steel T=0.40		1	

**P/N.:5UR2B04SM-105SDBUBD1**  
 Old P/N:MIUSB-M5S1B-U

## Micro USB B Type Male Solder Type 5P



NO.	Name	Material	Finish	QTY	Remark
1	Housing	LCP+GF 30%	Black	1	
2	Contact	PBS T=0.20	Gold / Tin Plated	5	Ni:80~120u"; Gold:30u";Tin:120~200u"
3	Shell	Stainless steel T=0.20	Nickel Plated	1	Ni: 50u' Minimum
4	Cover	LCP+GF 30%	Black	1	
5	Spring	Stainless steel T=0.40		1	

**P/N.:5UR2B05SM-105SDBUBD1**  
 Old P/N:MIUSB-M5S2B-U