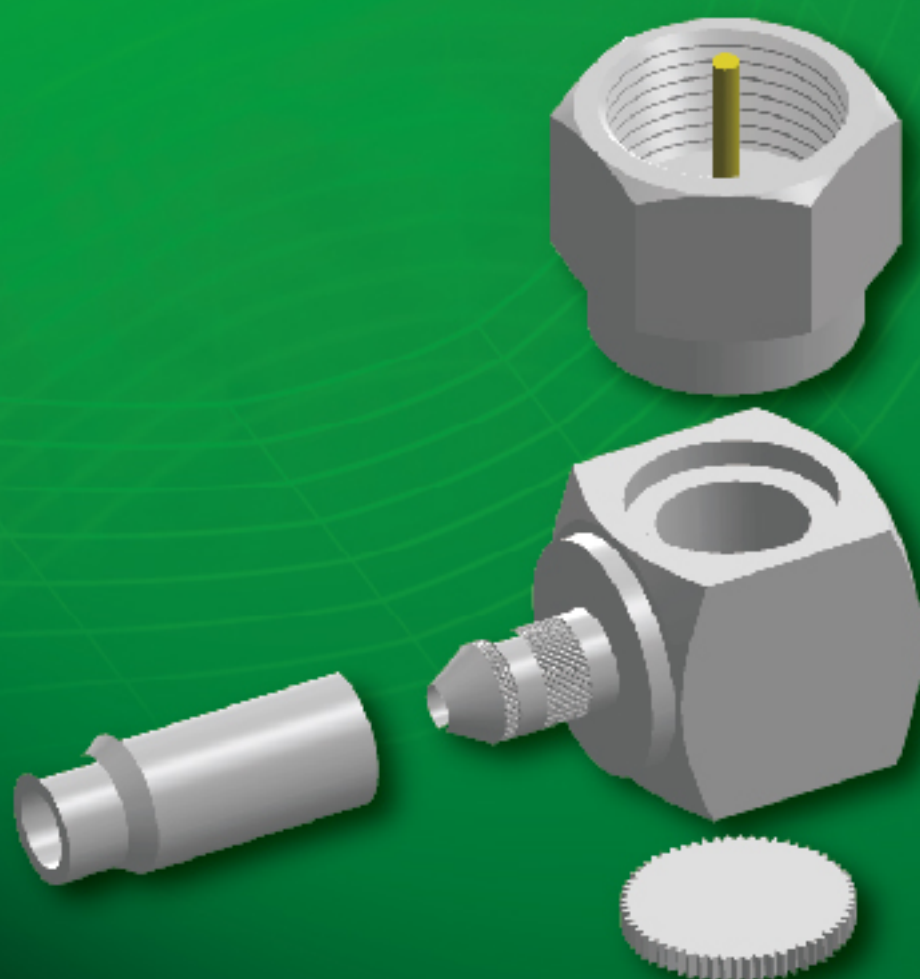


I / O

Connectors

5-57~5-67 • RF Connectors



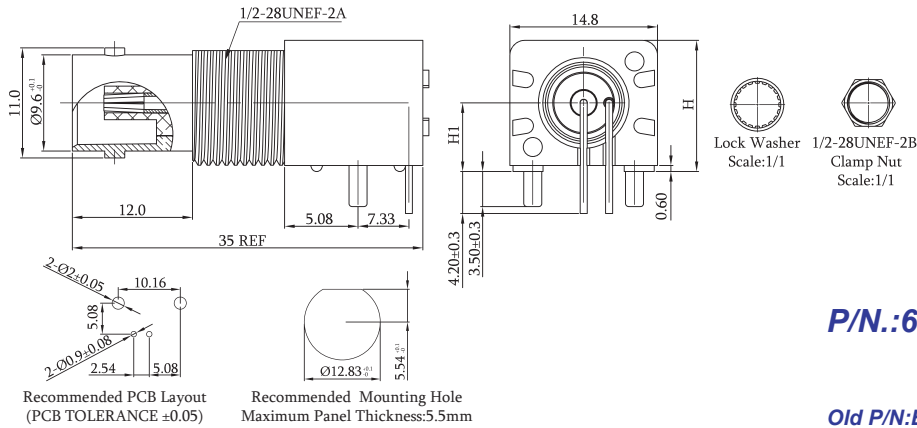
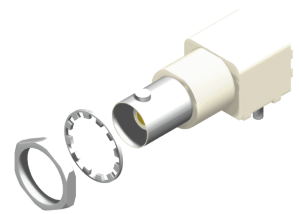
AMTEK Technology Co., Ltd



BNC Conn. Series R/A Type

Material & Finish

Body: Zinc Alloy, Nickel Plating
 Insulator: PE-606 / Housing: PBT (94V-0), White
 Center Contact: Phosphor Bronze, Gold Plating
 Mounting Post: Brass, Tin Plating
 Solder Tag: Copper Wire, Tin Plating
 Washer: Steel, Nickel Plating
 NUT: Brass, Nickel Plating



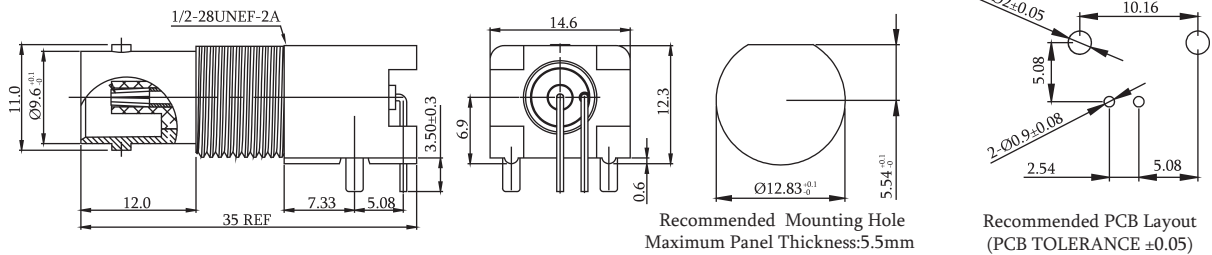
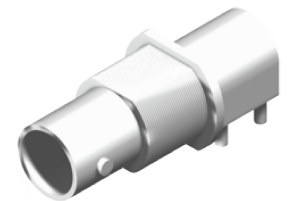
P/N.:62BNCR01-FXG0WA0X

5:50Ω 3:H=13.10,H1=6.9
 7:75Ω 5:H=15.80,H1=8.2

Old P/N:BNCR002-FXGWX-L

Material & Finish

Body: Zinc Alloy, Nickel Plating
 Insulator: PE-606
 Housing: PBT (94V-0), White
 Center Contact: Phosphor Bronze, Gold Plating
 Mounting Post: Brass, Tin Plating
 Solder Tag: Copper Wire, Tin Plating

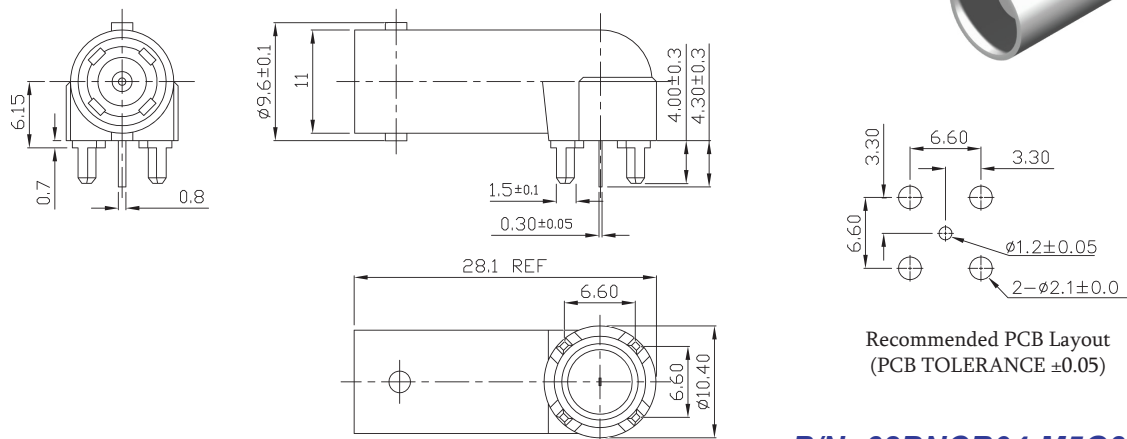
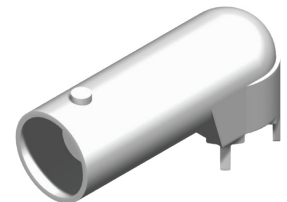


P/N.:62BNCR02-FXG0WA01

Old P/N:BNCR003-F7GW12-L 5:50Ω 7:75Ω

Material & Finish

Body: Zinc Alloy Nickel Plating
 Insulator: TPX
 Insulator: TEFLON
 Center Contact: Phosphor Bronze, Tin Plating
 Mounting Post: Phosphor Bronze / 3u" Gold Plating



P/N.:62BNCR04-M5G3WA01

BNC Conn.

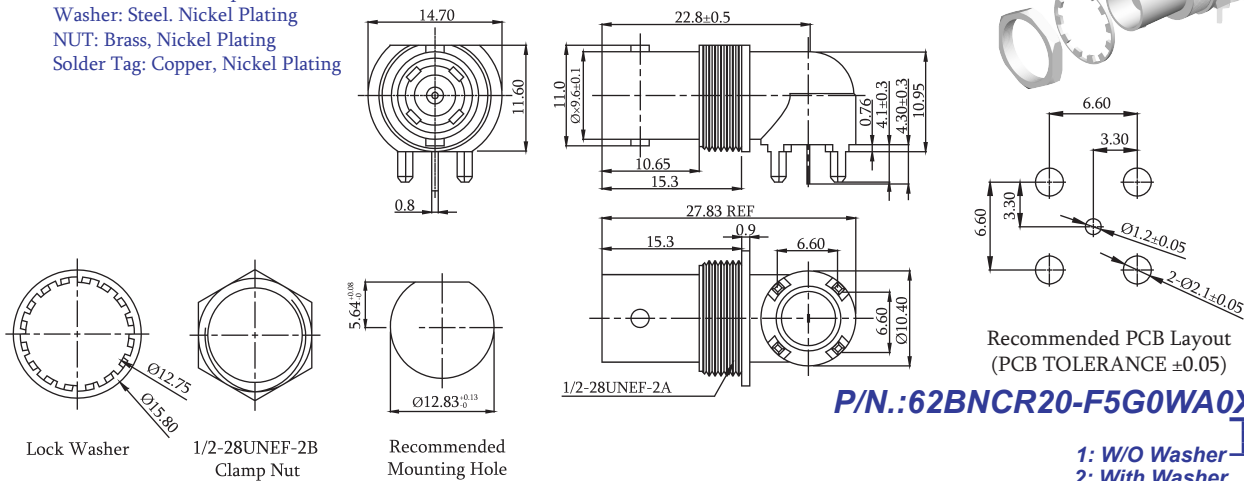
ROHS

CONNECTORS MANUFACTURER

BNC Conn. Series R/A Type

Material & Finish

Body: Zinc Alloy, Nickel Plating
 Insulator: TPX / Teflon
 Center Contact: Phosphor Bronze
 Washer: Steel, Nickel Plating
 NUT: Brass, Nickel Plating
 Solder Tag: Copper, Nickel Plating

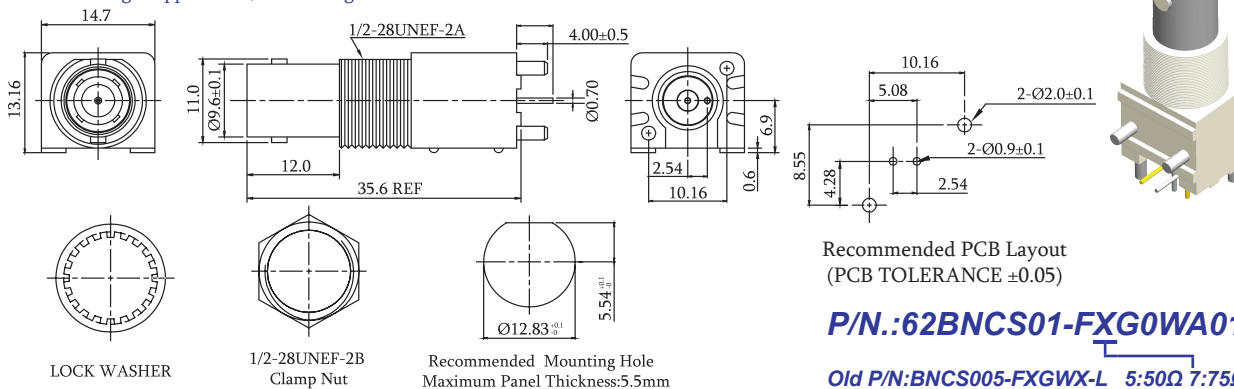


P/N.:62BNCR20-F5G0WA0X
 1: W/O Washer
 2: With Washer
 Old P/N:BNCR004-FXGW-L

BNC Conn. Series Vertical Type

Material & Finish

Body: Zinc Alloy, Nickel Plating
 Housing: PBT (94V-0)
 Insulator: PE-606
 Center Contact: Phosphor Bronze, Gold Plating
 Mounting Post: Iron, Tin Plating
 Washer: Steel, Nickel Plating
 NUT: Brass, Nickel Plating
 Solder Tag: Copper Wire, Tin Plating

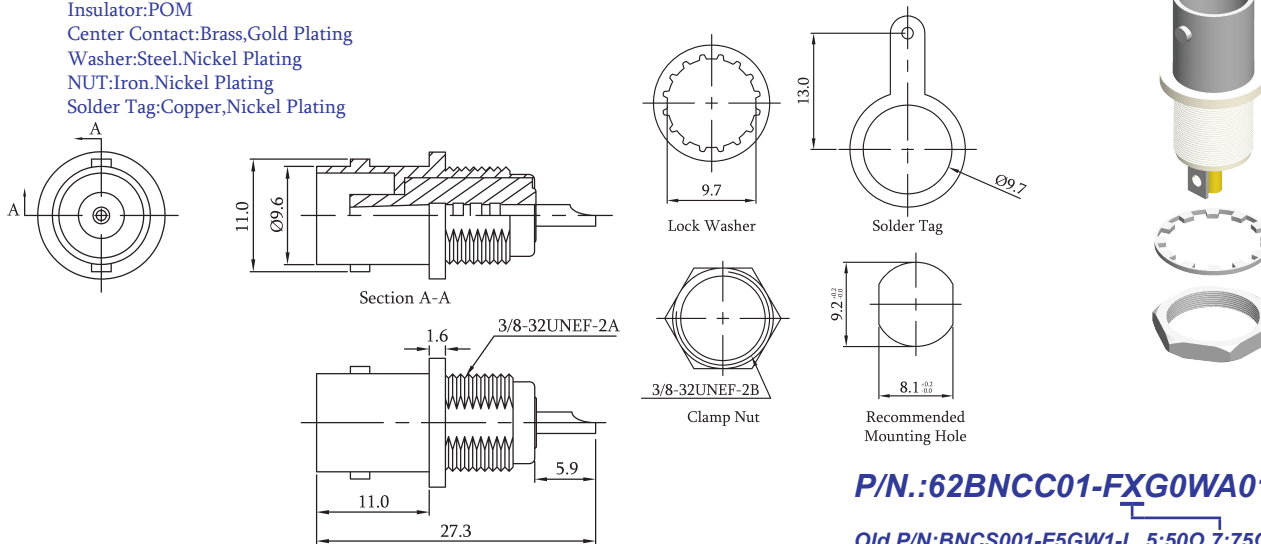


P/N.:62BNCS01-FXG0WA01
 Old P/N:BNCS005-FXGWX-L 5:50Ω 7:75Ω

BNC Conn. Series Solder Type

Material & Finish

Body: Zinc Alloy, Nickel Plating
 Insulator: POM
 Center Contact: Brass, Gold Plating
 Washer: Steel, Nickel Plating
 NUT: Iron, Nickel Plating
 Solder Tag: Copper, Nickel Plating



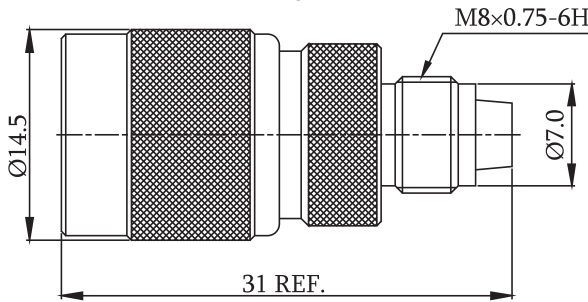
P/N.:62BNCC01-FXG0WA01
 Old P/N:BNCS001-F5GW1-L 5:50Ω 7:75Ω



TNC Conn. Series Adaptor Type

Material & Finish

Body: Brass Nickel Plating
 Insulator: Teflon
 Center Contact: Brass, Gold Plating

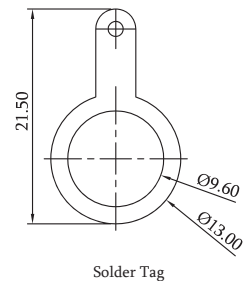
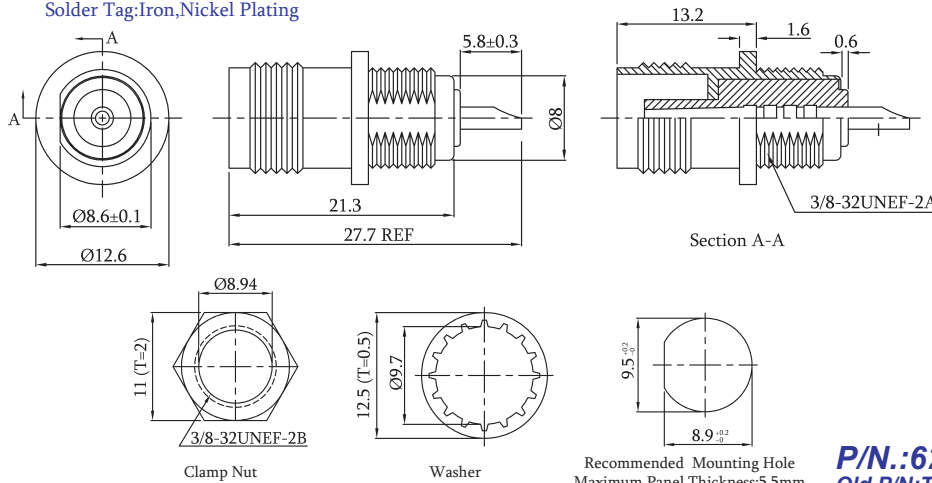


P/N.:62TNCA02-N5G3WC01

TNC Conn. Series Solder Type

Material & Finish

Body: Zinc Alloy, Nickel Plating
 Insulator: POM
 Center Contact: Phosphor Bronze, Gold Plating
 Washer: Steel, Nickel Plating
 NUT: Iron, Nickel Plating
 Solder Tag: Iron, Nickel Plating



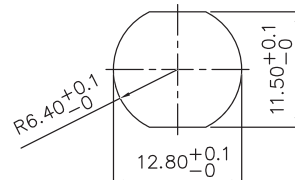
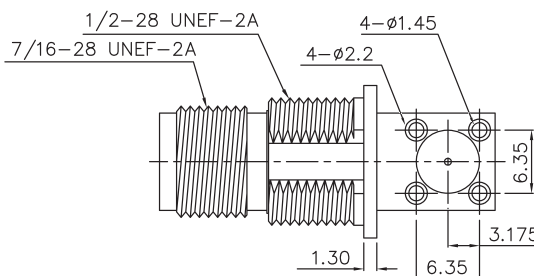
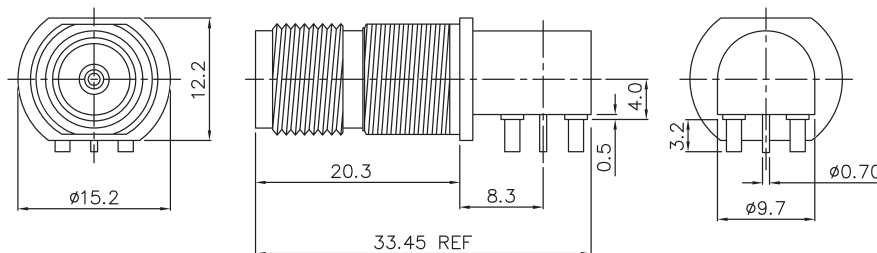
Solder Tag

P/N.:62TNCC01-F5G0WA01
 Old P/N.:TNCS001-F5GW-L

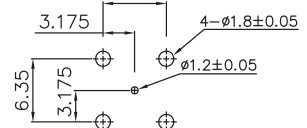
TNC Conn. Series R/A Type

Material & Finish

Body: Zinc Alloy, Nickel Plating
 Insulator: PE-606
 Housing: PBT (94V-0), White
 Center Contact: Phosphor Bronze, Gold Plating
 Mounting Post: Brass, Tin Plating
 Solder Tag: Copper Wire, Tin Plating



Recommended Mounting Hole
 Maximum Panel Thickness: 5.5mm



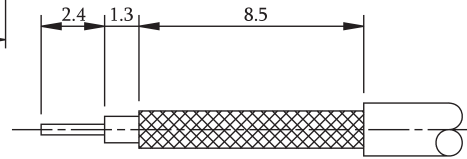
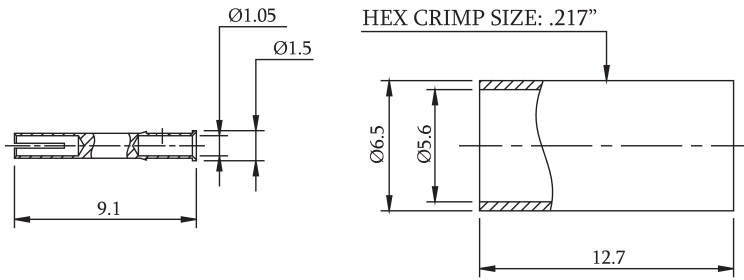
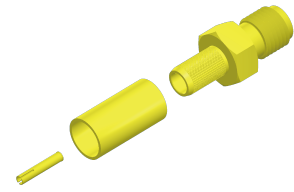
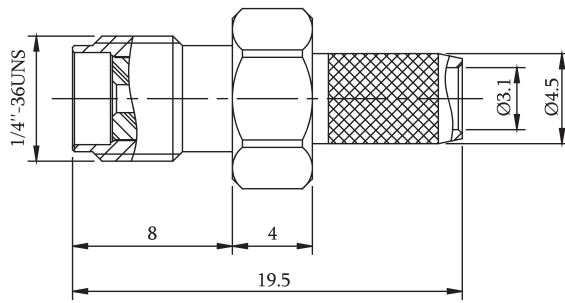
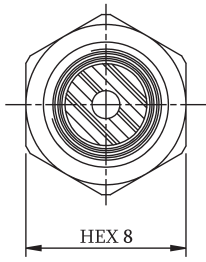
Recommended PCB Layout
 (PCB TOLERANCE ±0.05)

P/N.:62TNCR01-F5G0WA01
 Old P/N.:TNCR001-FXTW-L

TNC Conn.

ROHS

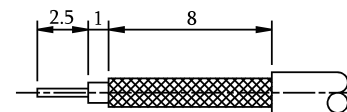
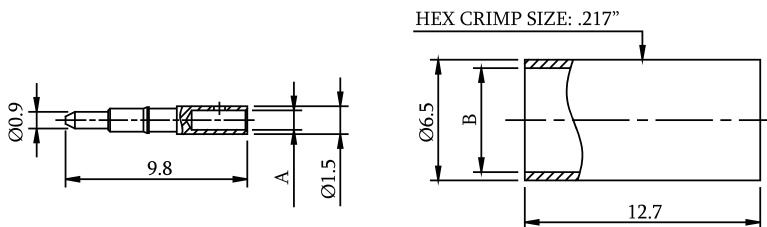
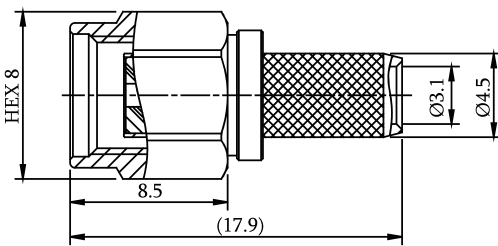
SMA Conn. Series Solder Type



NO.	Name	Material	Finish	Q'TY
1	Insulator	Teflon		1
2	Body	Brass	Gold Plated	1
3	Contact Pin	Phosphor Bronze	Gold Plated	1
4	Ferrule	Brass	Gold Plated	1

RECOMMENDED STRIP LENGTHS

P/N.:62SMAC01-F5G0WB02
Old P/N: SMA001-F5GWGA-L



Recommended Strip Lengths

NO.	Name	Material	Finish	Q'TY
1	Shell	Brass	Gold Plated	1
2	Gasket	Silicone	Red	1
3	Inner Retaining Ring	Stainless		1
4	Insulator	Teflon		1
5	Body	Brass	Gold Plated	1
6	Center Pin	Brass	Gold Plated	1
7	Ferrule	Brass	Gold Plated	1

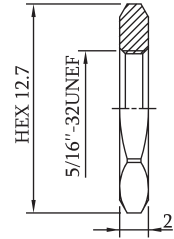
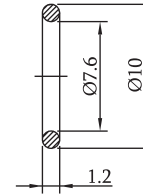
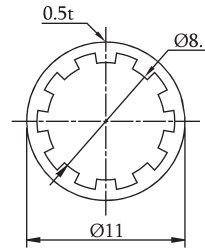
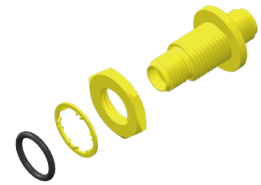
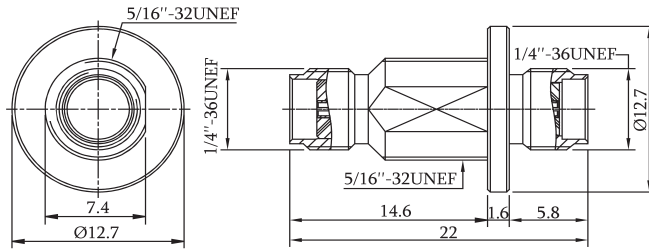
Table

Part No.	A	B
62SMAC23-M5G0WB01	Ø1.05	Ø5.4
62SMAC23-M5G0WB02	Ø1.05	Ø5.8
62SMAC23-M5G0WB03	Ø1.2	Ø5.6

P/N.:62SMAC23-M5G0WB0X
See Table 1

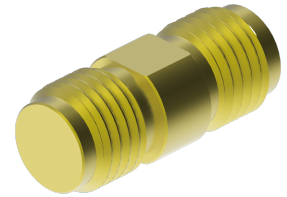
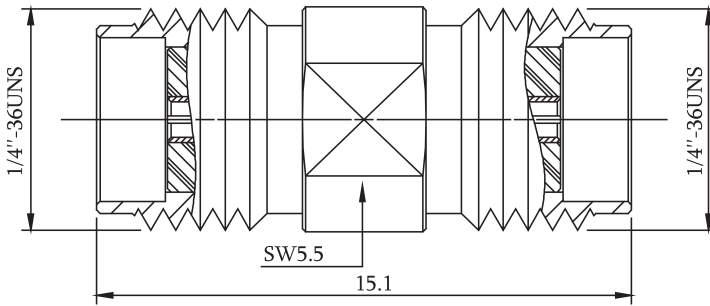


SMA Conn. Series Adaptor Type



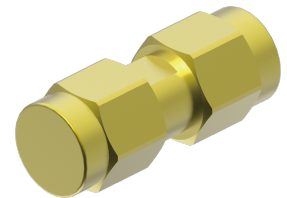
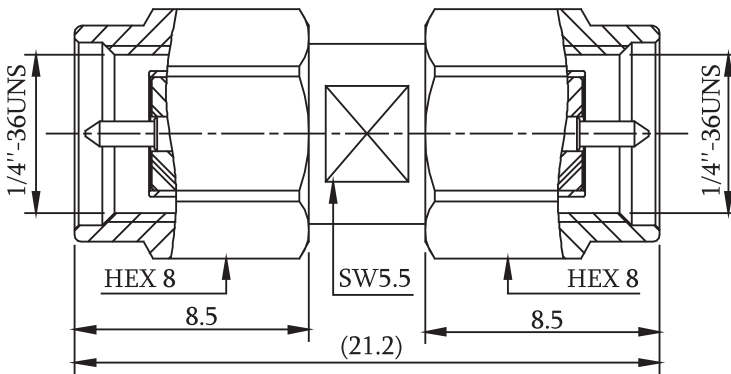
NO.	Name	Material	Finish	QTY
1	Body	Brass	Gold Plated	1
2	Insulator	Teflon		1
3	Center Pin	Phosphor Bronze	Gold Plated	1
4	Insulator	Teflon		1
5	O Ring	Silicone	Black	1
6	Washer	Brass	Gold Plated	1
7	Nut	Brass	Gold Plated	1

P/N.:62SMAA07-F5G0WB01



NO.	Name	Material	Finish	QTY
1	Body	Brass	Gold Plated	1
2	Insulator	Teflon		1
3	Center Pin	Phosphor Bronze	Gold Plated	1

P/N.:62SMAA20-F5G0WB01



NO.	Name	Material	Finish	QTY
1	Shell	Brass	Gold Plated	1
2	Center Pin	Brass	Gold Plated	1
3	Gasket	Silicone	Red	2
4	Inner Retaining Ring	Stainless Steel		2
5	Insulator	Teflon		2
6	Body	Brass	Gold Plated	1

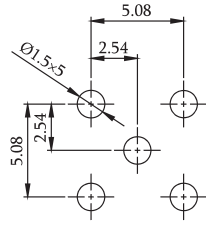
P/N.:62SMAA21-M5G0WB01

SMA Conn.

ROHS

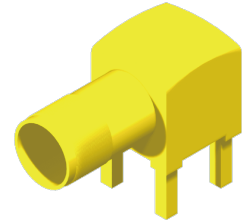
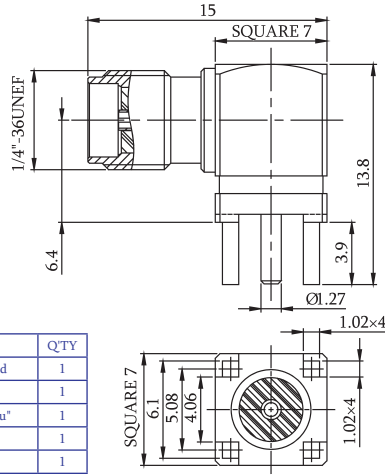
CONNECTORS MANUFACTURER

SMA Conn. Series R/A Type

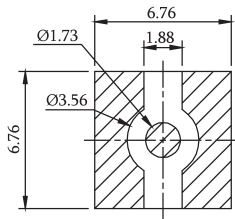


Recommended PCB Layout
(PCB TOLERANCE ±0.05)

NO.	Name	Material	Finish	QTY
1	Body	Brass	Gold / Nickel Plated	1
2	Insulator	Teflon		1
3	Center Pin	Phosphor Bronze	Gold / Gold Au 30u"	1
4	Body	Brass	Gold/Nickel Plate	1
5	Insulator	Teflon		1

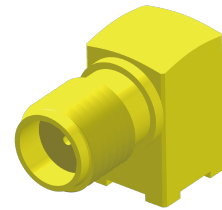
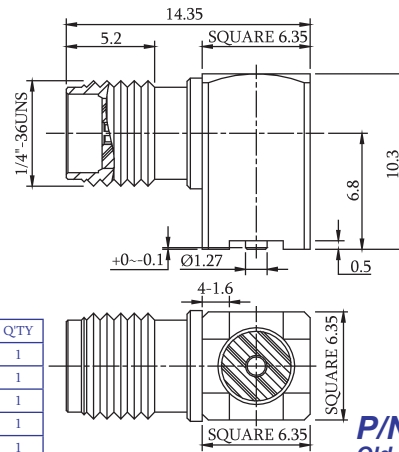


P/N.:62SMAR01-F5GXWB01
Old P/N:SMA009-F5GW-L

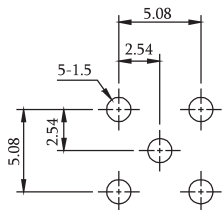


Recommended PCB Layout
(PCB TOLERANCE ±0.05)

NO.	Name	Material	Finish	QTY
1	Body	Brass	Gold Plated	1
2	Insulator	Teflon		1
3	Center Pin	Phosphor Bronze	Gold Plated	1
4	Body	Brass	Gold Plated	1
5	Insulator	Teflon		1

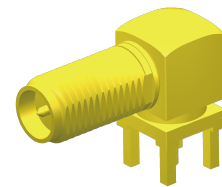
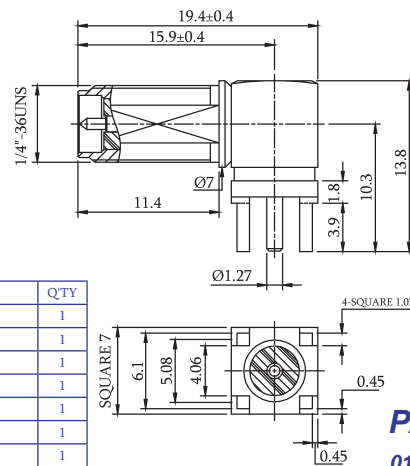


P/N.:62SMAR16-F5G0WB01
Old P/N:SMA019-F5GWG-L

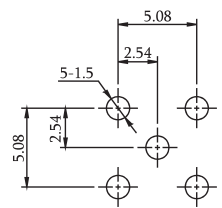


Recommended PCB Layout
(PCB TOLERANCE ±0.05)

NO.	Name	Material	Finish	QTY
1	Body	Brass	Gold Plated	1
2	Insulator	Teflon		1
3	Center Pin	Brass	Gold Plated	1
4	Body	Brass	Gold Plated	1
5	Insulator	Teflon		1
6	Washer	Brass	Gold Plated	1
7	Nut	Brass	Gold Plated	1

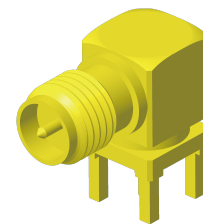
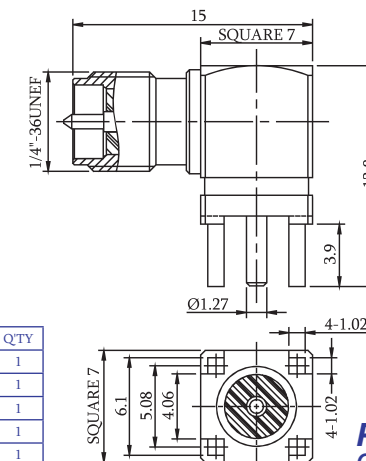


P/N.:62SMRR19-F5G0WBXX
01:With Washer, Nut|02:W/O Washer, Nut



Recommended PCB Layout
(PCB TOLERANCE ±0.05)

NO.	Name	Material	Finish	QTY
1	Body	Brass	Gold Plated	1
2	Insulator	Teflon		1
3	Center Pin	Brass	Gold Plated	1
4	Body	Brass	Gold Plated	1
5	Insulator	Teflon		1

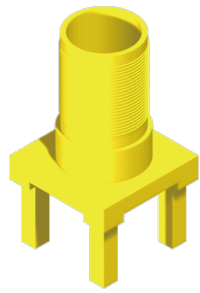
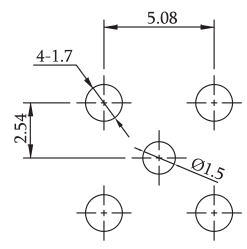
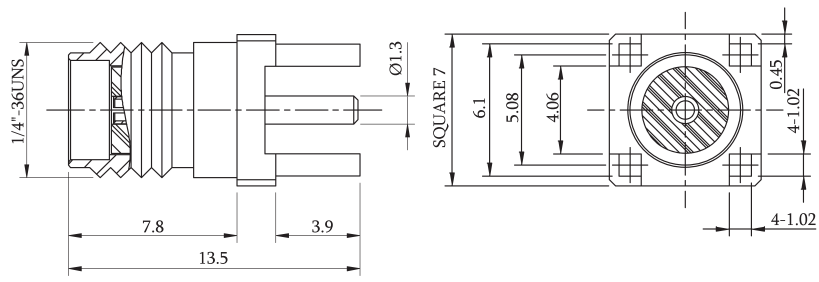


P/N.:62SMRR21-F5G0WB01
Old P/N:SMA009A-M5GWG-L

CONNECTORS MANUFACTURER



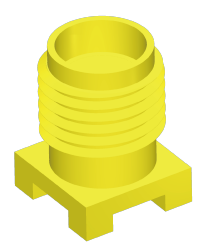
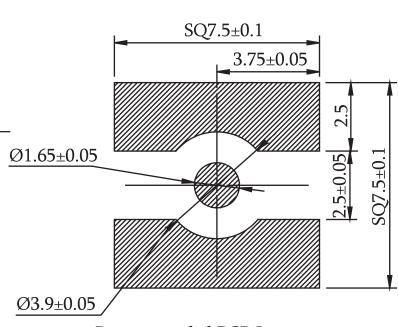
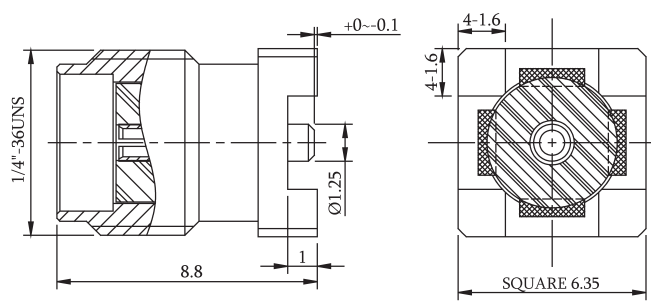
SMA Conn. Series Vertical Type



NO.	Name	Material	Finish	QTY
1	Body	Brass	Gold Plated	1
2	Insulator	Teflon		1
3	Center Pin	Phosphor Bronze	Gold Plated	1
4	Insulator	Teflon		1
5	Press Washer	Brass	Gold Plated	1

Recommended PCB Layout
(PCB TOLERANCE ±0.05)

P/N.:62SMAS01-F5G0WB01
Old P/N:SMA010-F5G0WB-L

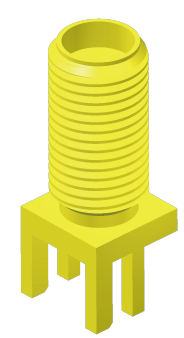
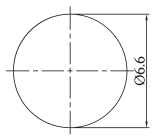
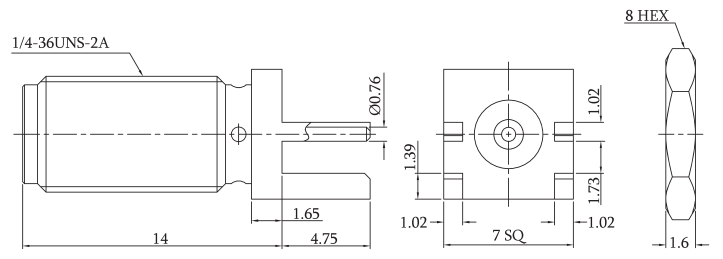


NO.	Name	Material	Finish	QTY
1	Body	Brass	Gold Plated	1
2	Insulator	Teflon		1
3	Center Pin	Phosphor Bronze	Gold Plated	1

Recommended PCB Layout
(PCB TOLERANCE ±0.05)

P/N.:62SMAS18-F5G0WB01

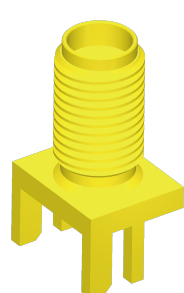
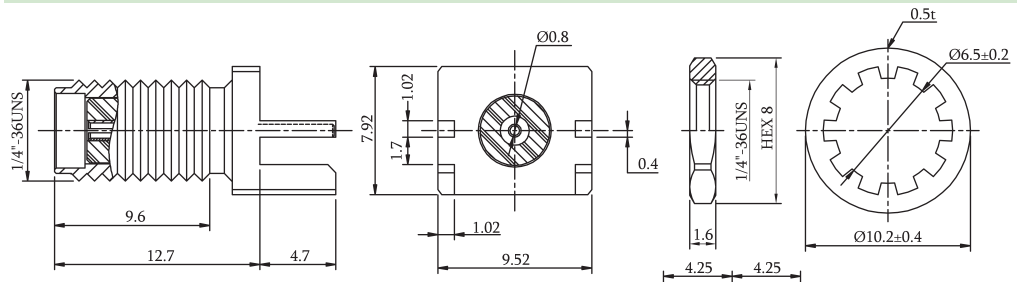
SMA Conn. Series Edge Mount Type



NO.	Name	Material	Finish	QTY
1	Body	Brass	Gold Plated	1
2	Insulator	Teflon	Natural	1
3	Contact Pin	Beryllium Copper	Gold 3u" Plated	1
4	Lock Washer	Brass	Gold Plated	1
5	HEX Nut	Brass	Gold Plated	1

RECOMMENDED MOUNTING HOLE

P/N.:62SMAS20-F5G3WC01



NO.	Name	Material	Finish	QTY
1	Body	Brass	Gold Plated	1
2	Insulator	Teflon		1
3	Center Pin	Phosphor Bronze	Gold / Gold 30u" Plated	1
4	Washer	Brass	Gold Plated	1
5	Nut	Brass	Gold Plated	1

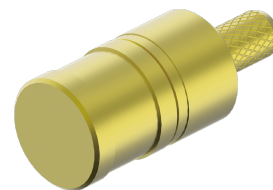
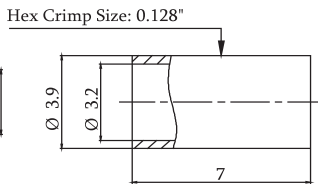
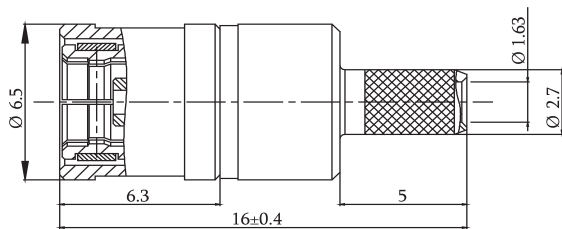
Recommended PCB Layout
(PCB TOLERANCE ±0.05)

P/N.:62SMAS24-F5GXWB01
G0:Gold Flash GD:Au 30u" J

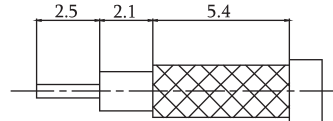
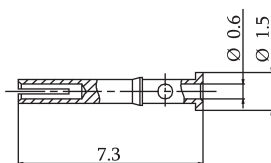
SMA Conn.

ROHS

SMB Conn. Series Solder Type



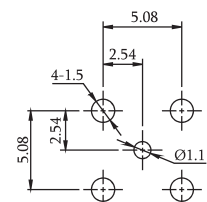
NO.	Name	Material	Finish	QTY
1	Inner Retaining Ring	Beryllium Copper	Gold Plated	1
2	Shell	Brass	Gold Plated	1
3	Body	Brass	Gold Plated	1
4	Insulator	Teflon		1
5	Cable Body	Brass	Gold Plated	1
6	Center Pin	Beryllium Copper	Gold Plated	1
7	Ferrule	Brass	Gold Plated	1



Reference Strip Lengths

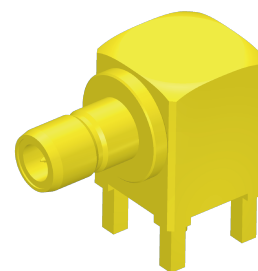
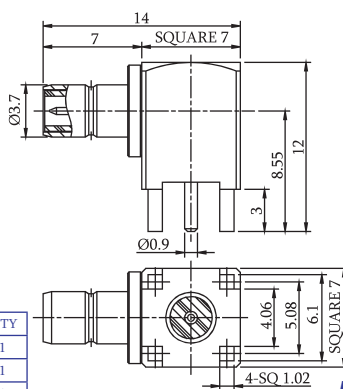
P/N.:62SMBC02-M5G0WB01

SMB Conn. Series R/A Type



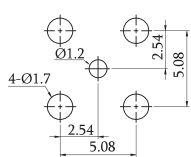
Recommended PCB Layout
(PCB TOLERANCE ±0.05)

NO.	Name	Material	Finish	QTY
1	Body	Brass	Gold 1.5u" Plated	1
2	Insulator	Teflon		1
3	Center Pin	Brass	Gold 1.5u" Plated	1
4	Insulator	Teflon		1
5	SQ Body	Brass	Gold 1.5u" Plated	1



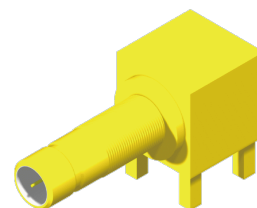
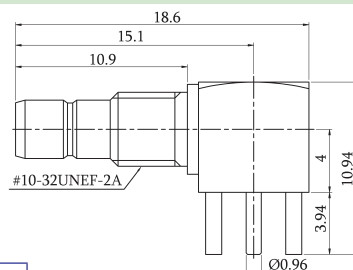
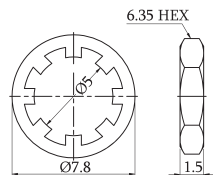
P/N.:62SMBR03-FXG0WB01

Old P/N: SMB007-MXGWG-L 5:50Q 7:75Q



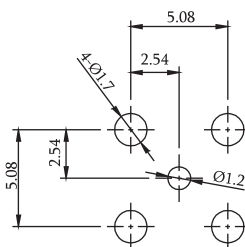
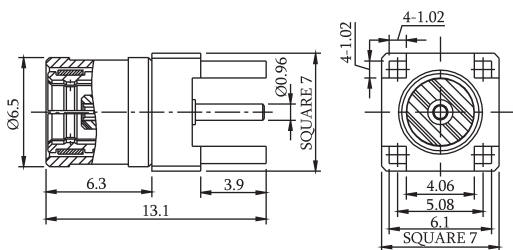
Recommended PCB Layout
(PCB TOLERANCE ±0.05)

NO.	Name	Material	Finish	QTY
1	Housing	Brass	Gold Plated	1
2	Body	Brass	Gold Plated	1
3	Insulator	Teflon	Natural	1
4	Contact Pin	Brass	Gold 3u" Plated	1
5	Insulator	Teflon	Natural	1
6	Lock Washer	Brass	Gold Plated	1
7	HEX Nut	Brass	Gold Plated	1



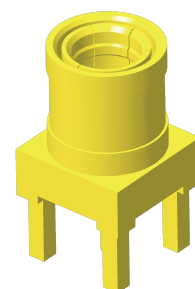
P/N.:62SMBR05-F5G3WC01

SMB Conn. Series Vertical Type



Recommended PCB Layout
(PCB TOLERANCE ±0.05)

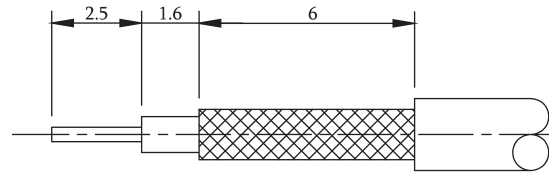
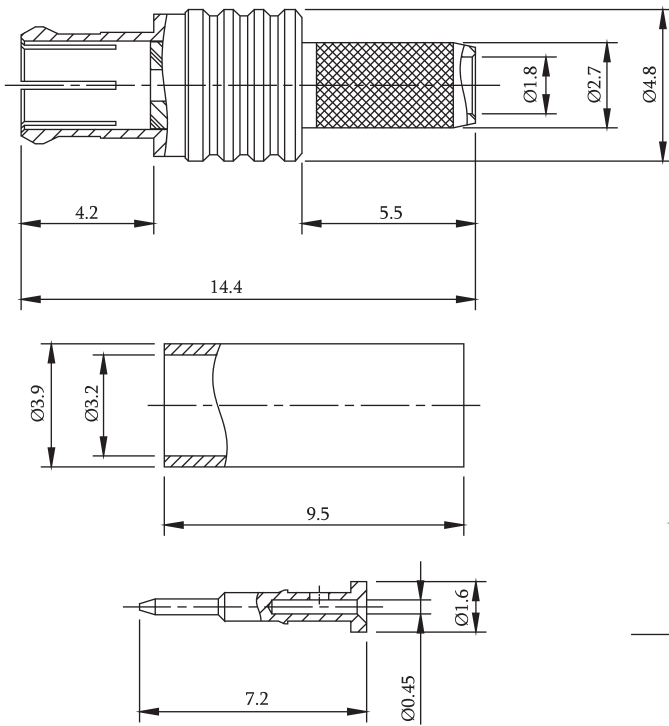
NO.	Name	Material	Finish	QTY
1	Shell	Brass	Gold Plated	1
2	Inner Retaining Ring	Beryllium Copper	Gold Plated	1
3	Insulator	TEFLON		1
4	Contact Pin	Beryllium Copper	Gold Plated	1
5	Body	Brass	Gold Plated	1



P/N.:62SMBS01-M5G0WB01

CONNECTORS MANUFACTURER

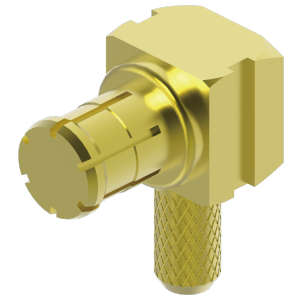
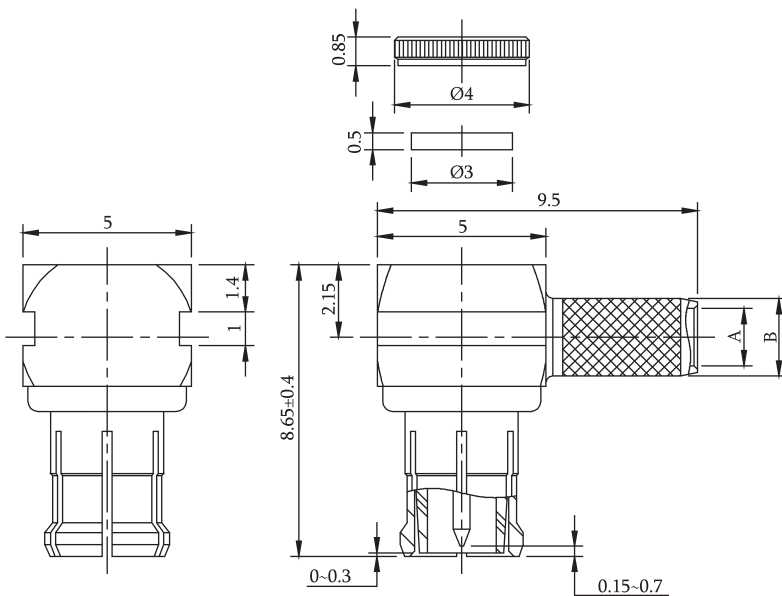
MCX Conn. Series Solder Type



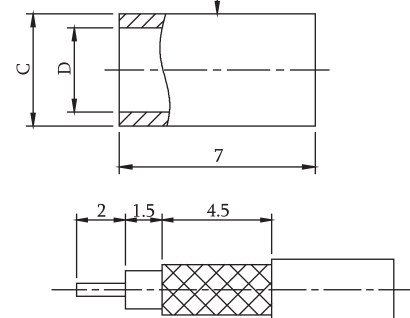
Recommended Strip Lengths

NO.	Name	Material	Finish	QTY
1	Body	Phosphor Bronze	Gold Plated	1
2	Insulator	Teflon		1
3	Body	Brass	Gold Plated	1
4	Contact Pin	Brass	Gold Plated	1
5	Ferrule	Brass	Gold Plated	1

P/N.:62MCXC01-M7G0WB02



HEX Crimp Size:E



Recommended Strip Lengths

NO.	Name	Material	Finish	QTY
1	Press Cover	Brass	Gold Plated	1
2	Insulator Cover	POM		1
3	Cube Body	Brass	Gold Plated	1
4	Center Pin	Brass	Gold Plated	1
5	Body	Beryllium Copper	Gold Plated	1
6	Insulator	Teflon		1
7	Ferrule	Brass	Gold Plated	1

Table

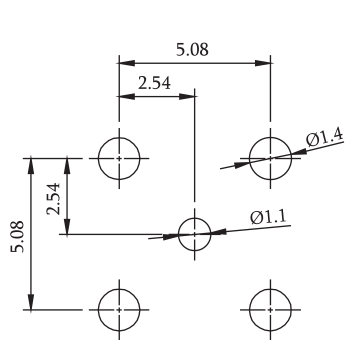
P/N	Cable	A	B	C	D	E
62MCXC03-M5G0WB01	RG316 / RG174	Ø1.70	Ø2.30	Ø4.0	Ø3.0	.137"
62MCXC03-M5G0WB02	RD316	Ø1.70	Ø2.30	Ø3.9	Ø3.2	.128"

P/N.:62MCXC03-M5G0WB0X
See Table

MCX Conn.

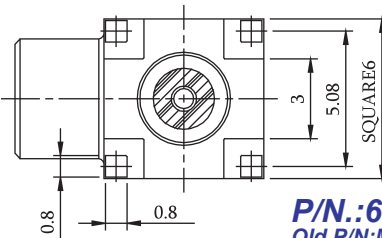
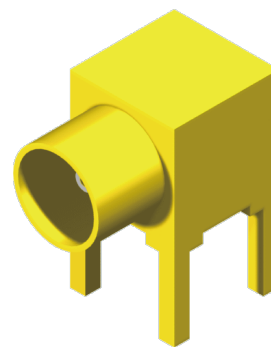
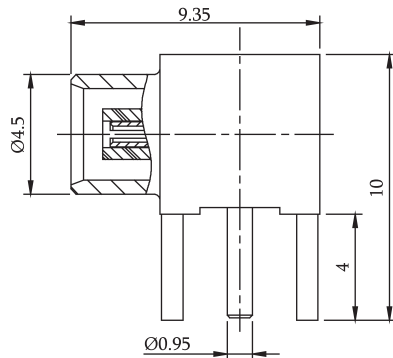
ROHS

MCX Conn. Series R/A Type



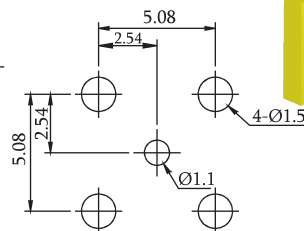
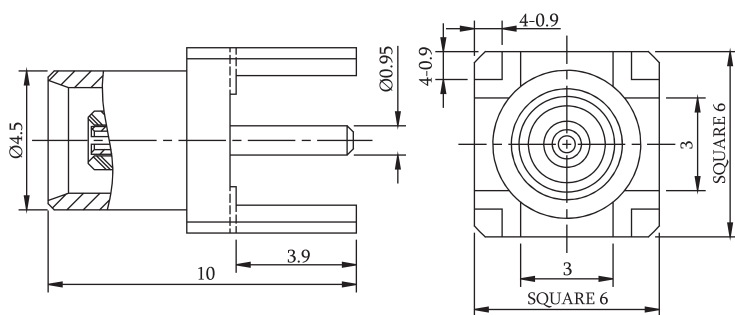
Recommended PCB Layout
(PCB TOLERANCE ±0.05)

NO.	Name	Material	Finish	QTY
1	Center Pin	Beryllium Copper	Gold Plated	1
2	Press Washer	Brass	Gold Plated	1
3	Insulator	Teflon		1
4	Body	Brass	Gold Plated	1
5	Insulator	Teflon		1
6	Press Washer	Brass	Gold Plated	1



P/N.:62MCXR01-F5G0WB01
Old P/N.:MCX006-F5G0WG-L

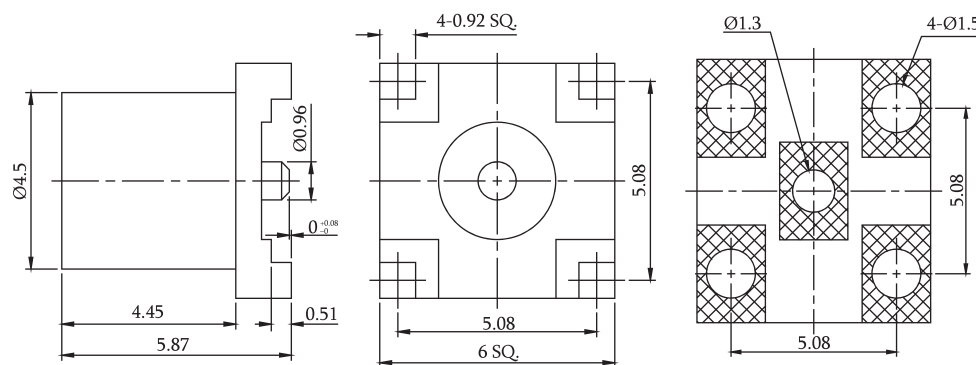
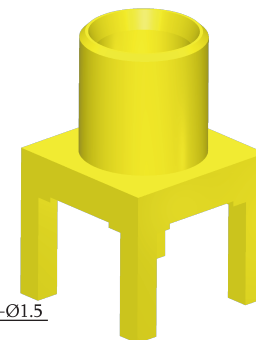
MCX Conn. Series Vertical Type



Recommended PCB Layout
(PCB TOLERANCE ±0.05)

NO.	Name	Material	Finish	QTY
1	Body	Brass	Gold Plated	1
2	Insulator	Teflon		1
3	Center Pin	Beryllium Copper	Gold Plated	1

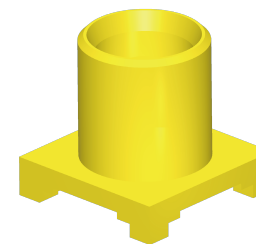
P/N.:62MCXS03-F5G0WB01
Old P/N.:MCX007-F5G0WG-L



Recommended PCB Layout
(PCB TOLERANCE ±0.05)

NO.	Name	Material	Finish	QTY
1	Body	Brass	Gold 3u" Plated	1
2	Insulator	Teflon	Natural	1
3	Contact Pin	Beryllium Copper	Gold 3u" Plated	1

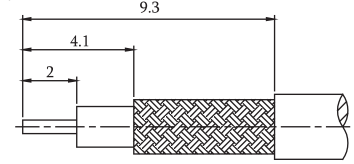
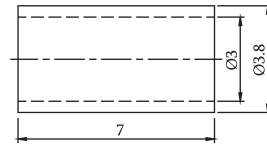
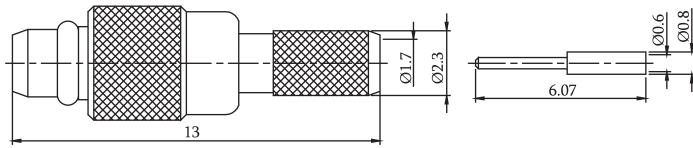
P/N.:62MCXS09-F5G3WC01
Old P/N.:62MCX-5SF006



CONNECTORS MANUFACTURER



MMCX Conn. Series Solder Type

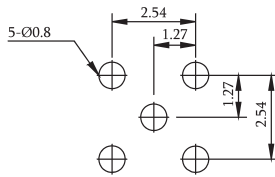


Recommended Cable Stripping DIM'S

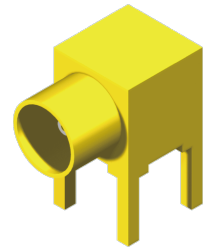
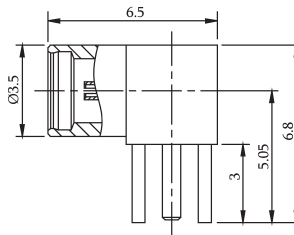
NO.	Name	Material	Finish	QTY
1	Body	Brass	Gold Plated	1
2	Insulator	Teflon	Natural	1
3	Barrel	Brass	Gold Plated	1
4	Contact Pin	Brass	Gold 3u" Plated	1
5	Retainer Ring	Beryllium Copper	Gold Plated	1
6	Ferreule	Copper	Gold Plated	1

P/N.:62DMCC06-M5G3WC01

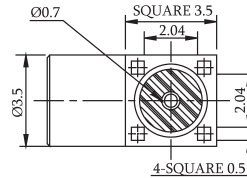
MMCX Conn. Series R/A Type



Recommended PCB Layout (PCB TOLERANCE ±0.05)



NO.	Name	Material	Finish	QTY
1	Body	Brass	Gold Plated	1
2	Insulator	Teflon		1
3	Insulator	Teflon		1
4	Center Pin	Beryllium Copper	Gold Plated	1

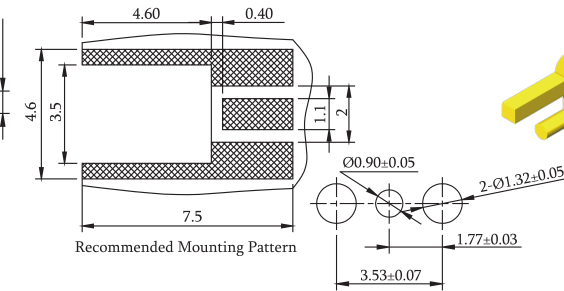
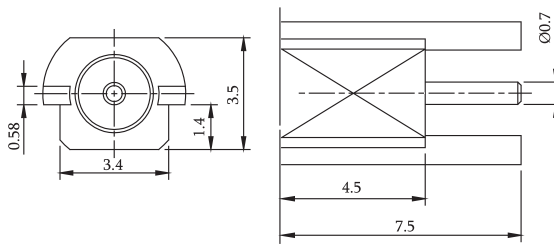


P/N.:62DMCR01-F5XXWB01

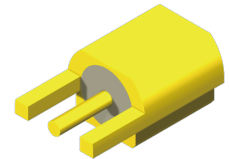
G0:Gold Flash | GD:Au 30u" |

Old P/N:MMCX010-F5GWL

MMCX Conn. Series Edge Mount Type



Recommended Mounting Pattern



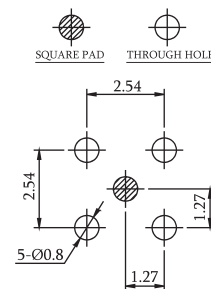
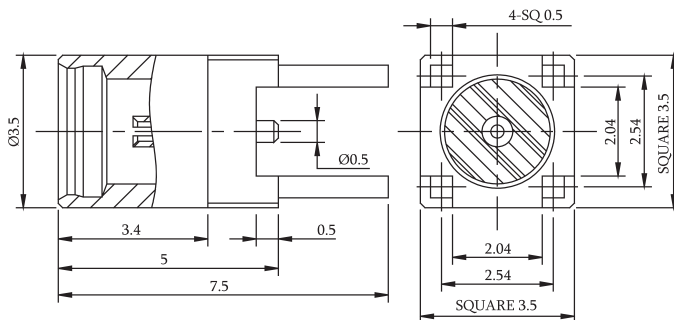
NO.	Name	Material	Finish	QTY
1	Body	Brass	Gold Plated	1
2	Insulator	Teflon	Natural	1
3	Contact Pin	Beryllium Copper	Gold 3u" Plated	1

Recommended PCB Layout (PCB TOLERANCE ±0.05)

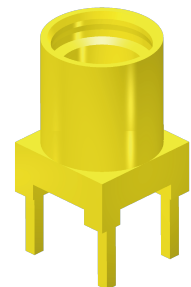
P/N.:62DMCS07-F5G3WC01

Old P/N:62DMC-5SF06

MMCX Conn. Series Vertical Type



Recommended PCB Layout (PCB TOLERANCE ±0.05)



NO.	Name	Material	Finish	QTY
1	Body	Brass	Gold Plated	1
2	Insulator	Teflon		1
3	Center Pin	Beryllium Copper	Gold Plated	1

P/N.:62DMCS08-F5G0WB01

MMCX Conn.

ROHS