

# I / O

# Connectors

---

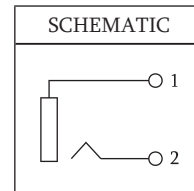
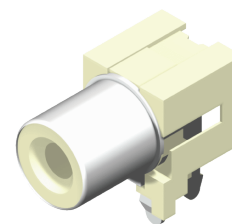
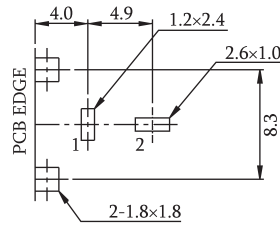
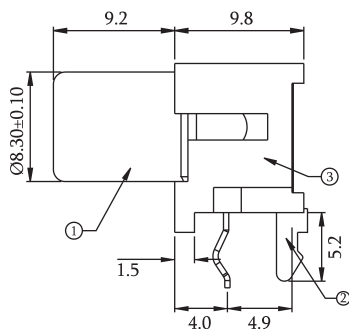
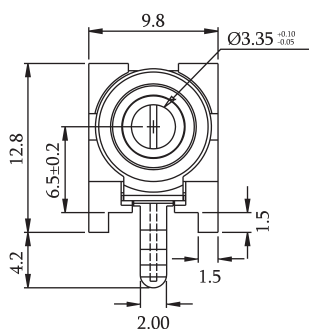
5-36~5-39

• RCA Jack



AMTEK Technology Co., Ltd

## RCA Jack Conn. 1×1 Port



**Table**

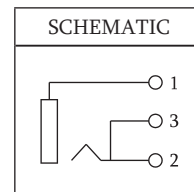
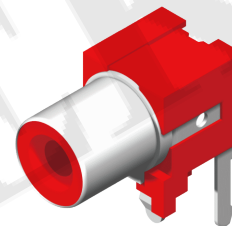
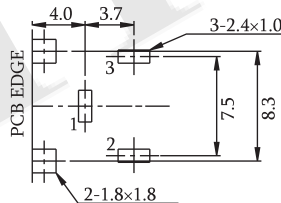
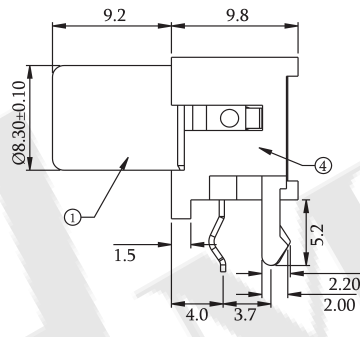
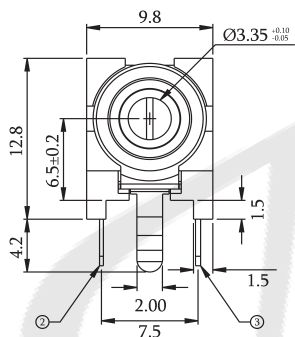
	Ring Color		Ring Color
64RCAN-110601N1	Red	64RCAN-110605N1	Blue
64RCAN-110602N1	Yellow	64RCAN-110606N1	Green
64RCAN-110603N1	White	64RCAN-110607N1	Orange
64RCAN-110604N1	Black		

NO.	Name	Material	Finish	QTY
1	Housing	PBT G.F.	W, R, Y, B, GR, BL, OR	1
2	Barrel	Brass T:0.4	Nickel Plated	1
3	Terminal	Brass T:0.5	Tin Plated	1

Recommended PCB Layout (Bottom View)  
(PCB TOLERANCE ±0.05)

**P/N.:64RCAN-1106XXN1**

Old P/N:RCA1515-1A-L See Table



**Table**

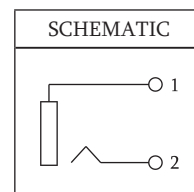
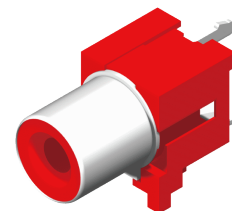
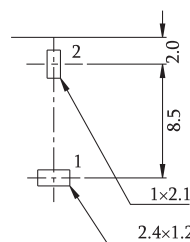
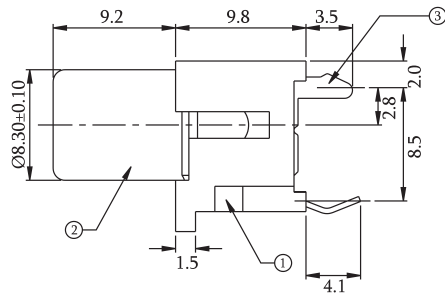
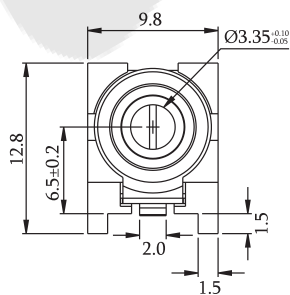
	Ring Color
64RCAN-110201N1	Red
64RCAN-110202N1	Yellow
64RCAN-110203N1	White
64RCAN-110204N1	Black

NO.	Name	Material	Finish	QTY
1	Barrel	Brass T:0.4	Nickel Plated	1
2	Spring Terminal	Phosphor Bronze T:0.30	Tin Plated	1
3	Terminal	Brass T:0.4	Tin Plated	1
4	Housing	PBT G.F.	See Table	1

Recommended PCB Layout (Bottom View)  
(PCB TOLERANCE ±0.05)

**P/N.:64RCAN-1102XXN1**

Old P/N:RCA-2016-L See Table



**Table**

	Ring Color		Ring Color
64RCAN-110301N1	Red	64RCAN-110304N1	Black
64RCAN-110302N1	Yellow	64RCAN-110305N1	Blue
64RCAN-110303N1	White	64RCAN-110306N1	Green

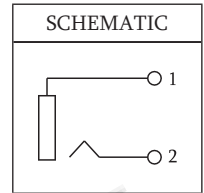
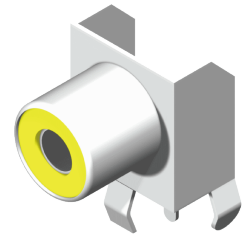
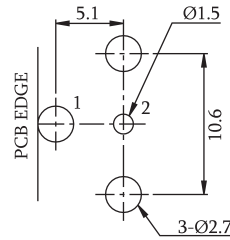
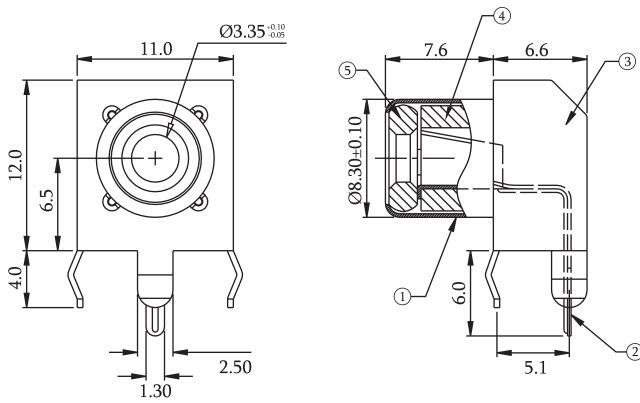
NO.	Name	Material	Finish	QTY
04	Housing	PBT G.F.	See Table	1
06	Barrel	Brass T:0.4	Nickel Plated	1
08	Terminal	Brass T:0.4	Tin Plated	1

Recommended PCB Layout (Bottom View)  
(PCB TOLERANCE ±0.05)

**P/N.:64RCAN-1103XXN1**

Old P/N:RCA1515-1BX-L See Table

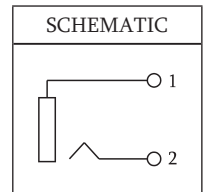
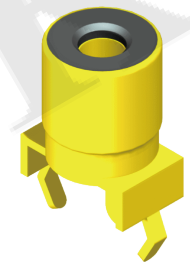
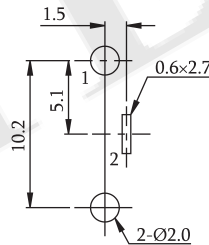
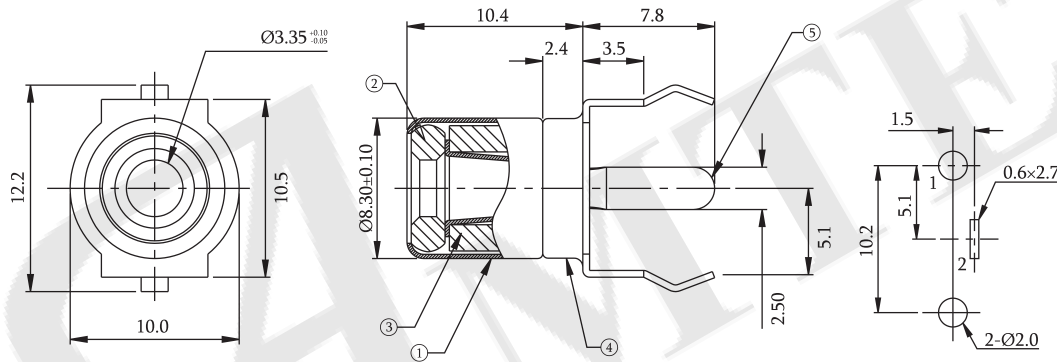
## RCA Jack Conn. 1x1 Port



NO.	Name	Material	Finish	QTY
1	Barrel	C.R.S T.0.3	Tin-Plated	1
2	Terminal	Brass T.0.25	Tin-Plated	1
3	Bracket	C.R.S T.0.4	Tin-Plated	1
4	Insulator	PBT G.F.	White	1
5	Ring	PBT G.F.	Yellow	1

Recommended PCB Layout (Bottom View)  
(PCB TOLERANCE  $\pm 0.05$ )

**P/N.:64RCAN-110001N1**  
Old P/N:RCA-0006-L



NO.	Name	Material	Finish	QTY
1	Barrel	C.R.S 0.30	Gold Plated	1
2	Ring	PBT	White	1
3	Insulator	PBT		1
4	Bracket	C.R.S 0.40	Gold Plated	1
5	Terminal	Brass 0.25	Gold Plated	1

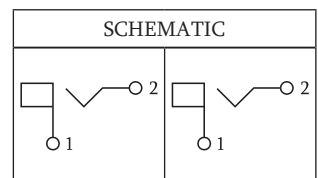
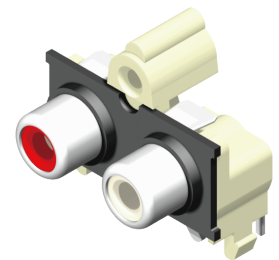
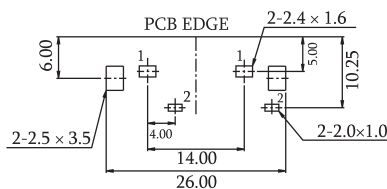
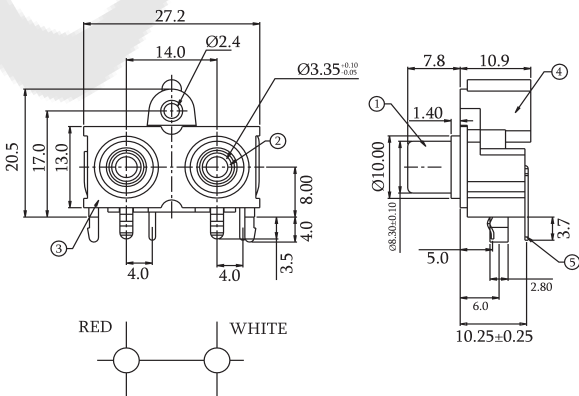
**Table**

P/N.	Ring Color
64RCAN-110901N1	Red
64RCAN-110902N1	Yellow
64RCAN-110903N1	White
64RCAN-110904N1	Black

Recommended PCB Layout (Bottom View)  
(PCB TOLERANCE  $\pm 0.05$ )

**P/N.:64RCAN-1109XXN1**  
Old P/N:RCA-0009GG-L See Table

## RCA Jack Conn. 1x2 Port



NO.	Name	Material	Finish	QTY
1	Barrel	Brass 0.40	Nickel Plated	2
2	Insert Ring	PBT G.F.	Nickel Plated	2
3	Cover	ABS	Black	1
4	Housing	ABS	White	1
5	Term.	Brass 0.40	Tin Plated	1

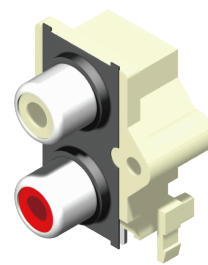
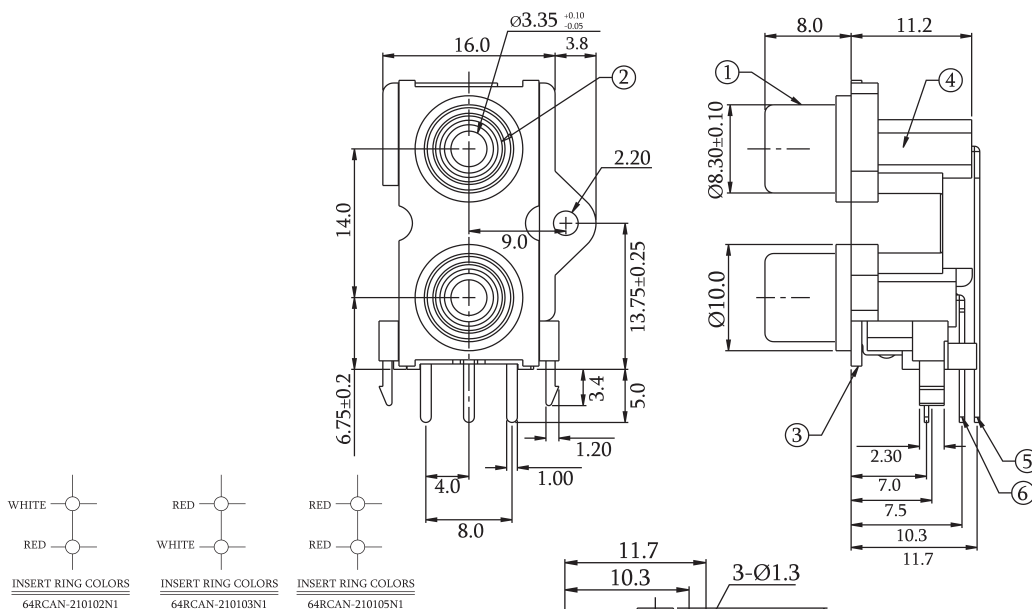
Recommended PCB Layout (Bottom View)  
(PCB TOLERANCE  $\pm 0.05$ )

**P/N.:64RCAN-120001N1**  
Old P/N:RCA-1413-2H-L

RCA Jack Conn.

ROHS

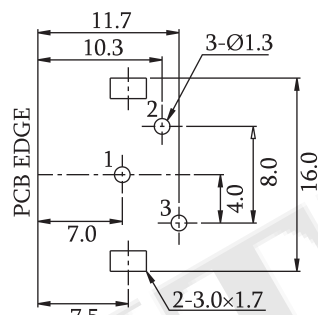
## RCA Jack Conn. 2×1 Port



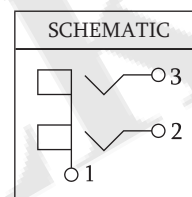
**Table**

	Ring Color
64RCAN-210102N1	White / Red
64RCAN-210103N1	Red / White
64RCAN-210105N1	Red / Red

NO.	Name	Material	Finish	QTY
1	Barrel	Brass T:0.4	Nickel Plated	1
2	Insert Ring	PBT G.F.	White / Red	2
3	Cover	ABS	Black	1
4	Housing	ABS	White	1
5	Top Term.	Brass T:0.5	Tin Plated	1
6	Bottom Term.	Brass T:0.5	Tin Plated	1



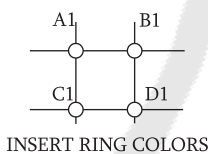
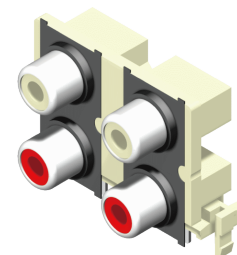
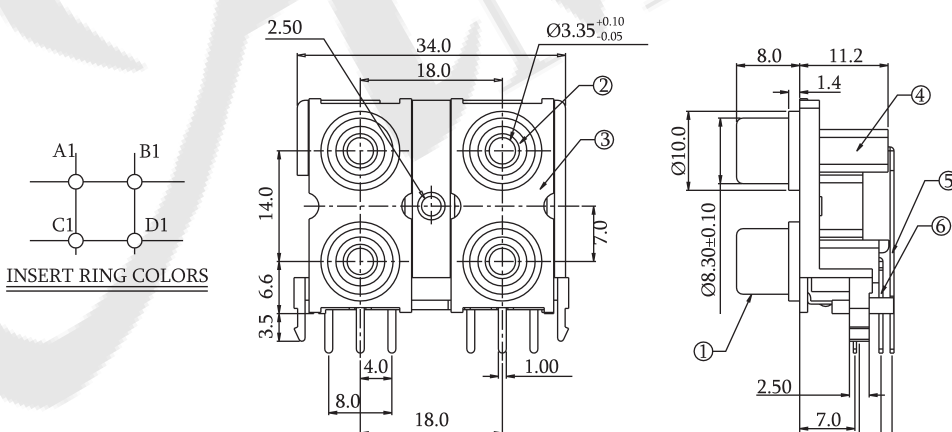
Recommended PCB Layout  
(PCB TOLERANCE ±0.05)



**P/N.:64RCAN-2101XXN1**

Old P/N:RCA-1416-2-L See Table

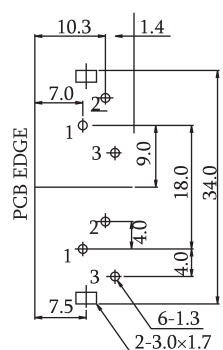
## RCA Jack Conn. 2×2 Port



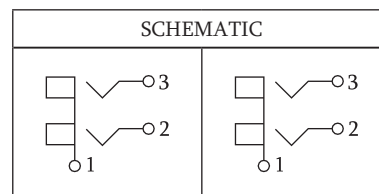
**Table**

	Ring Color			
	A1	B1	C1	D1
64RCAN-220001N1/2	White	White	Red	Red
64RCAN-220002N1/2	Red	White	Red	White
64RCAN-220003N1/2	Yellow	Yellow	Yellow	Yellow
64RCAN-220004N1/2	Black	Black	Black	Black

NO.	Name	Material	Finish	QTY
1	Barrel	Brass T:0.4	Nickel / Gold Plated	2
2	Insert Ring	PBT G.F.	White / Red	4
3	Cover	ABS	Black	2
4	Housing	ABS	White	1
5	Terminal	Brass T:0.5	Tin Plated	2
6	Terminal	Brass T:0.5	Tin Plated	2



Recommended PCB Layout  
(PCB TOLERANCE ±0.05)



**P/N.:64RCAN-2200XXNX**

See Table  
1:Nickel Plated 2:Gold Plated

Old P/N:RCA-1418-4-L

