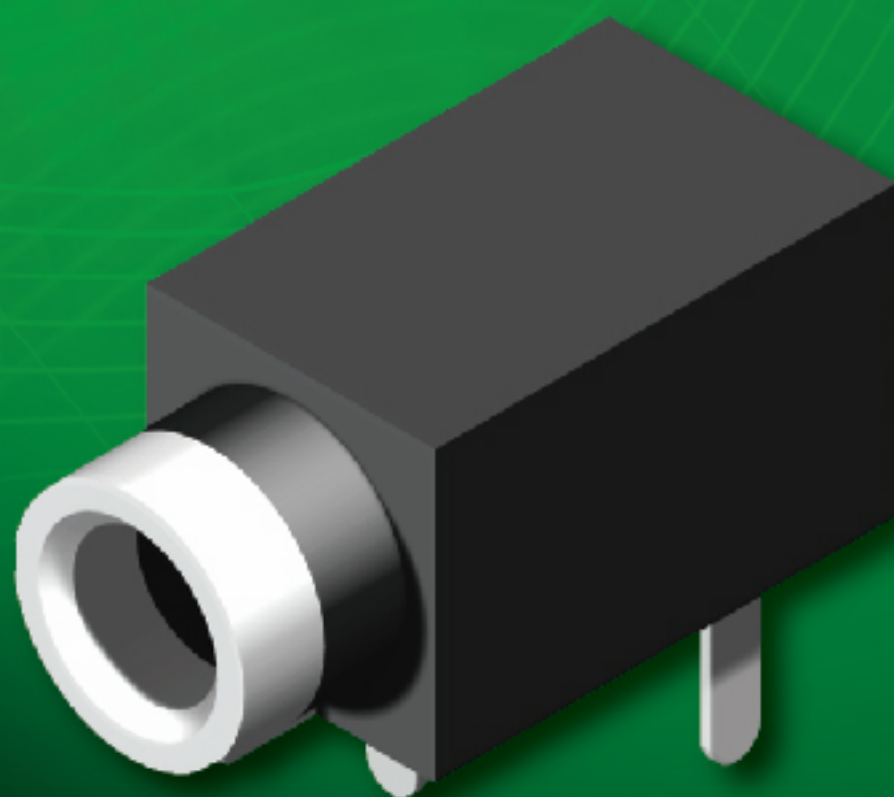


I / O

Connectors

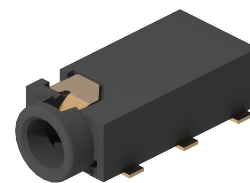
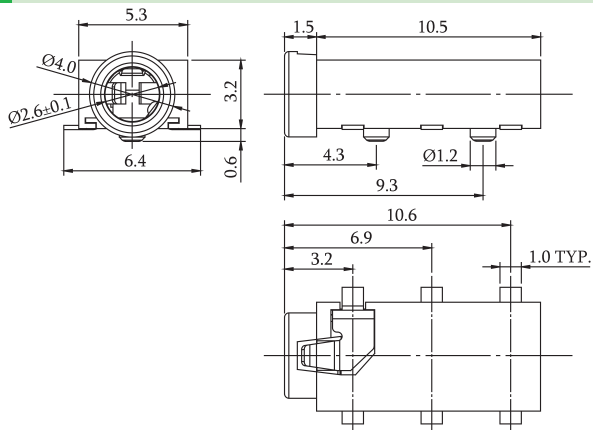
5-48~5-56

• Earphone Jack

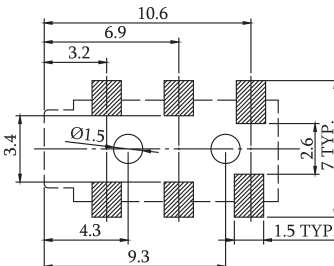


AMTEK Technology Co., Ltd

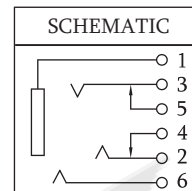
Ø2.5 Earphone Jack Conn. SMT R/A Type



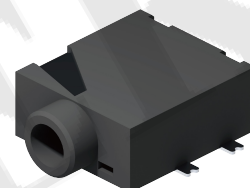
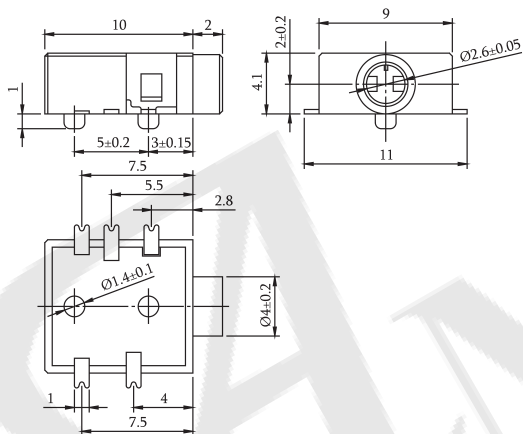
NO.	Name	Material	Finish	QTY
1	Terminal	C5191 T=0.20	Gold Plated	1
2	Terminal	C5191 T=0.25	Gold Plated	1
3	Terminal	C5191 T=0.20	Gold Plated	1
4-5	Terminal	C2680 T=0.20	Gold Plated	1
6	Terminal	C5191 T=0.20	Gold Plated	2
7	Housing	PA9T	UL 94V-0, Black	1
8	Cover	PA9T	UL 94V-0, Black	1



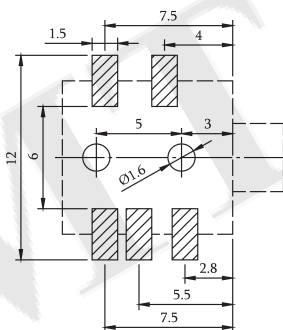
Recommended PCB Layout (Bottom View)
(PCB TOLERANCE ±0.05)



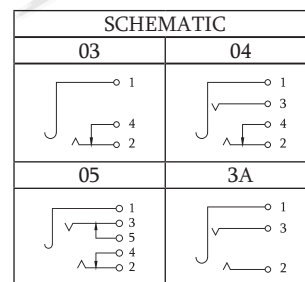
P/N.:5EJ25MC05-06G0BUH-01



NO.	Name	Material	Finish	QTY
1	Housing	Nylon 9T+30%G.F.	UL94V-0	1
2	Cover	Nylon 9T+30%G.F.	UL94V-0	1
3	Earth Spring	Phosphor Bronze T=0.3	Silver Plated	1
4	Tip Spring	Stainless Steel T=0.2	Silver Plated	1
5	Ring Spring	Stainless Steel T=0.2	Silver Plated	1
6	Shunt Terminal	Phosphor Bronze T=0.2	Silver Plated	2



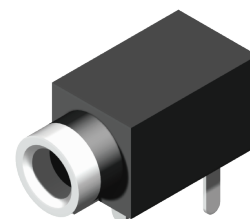
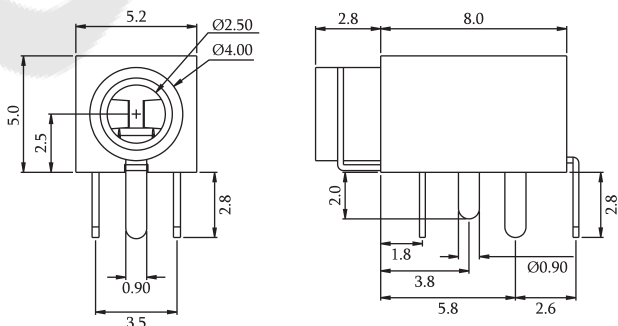
Recommended PCB Layout
(PCB TOLERANCE ±0.05)



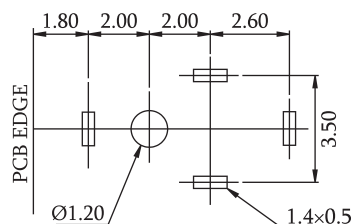
P/N.:5EJ25MC06-XXSVBUH-01

└─03-05,3A

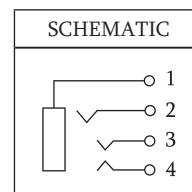
Ø2.5 Earphone Jack Conn. Dip R/A Type



NO.	Name	Material	Finish	QTY
1	Ground Term	Brass T=0.25	Tin Plated	1
2	Spring Term	Phosphor Bronze T=0.25	Tin Plated	1
3	Spring Contact	Phosphor Bronze T=0.3	Tin Plated	1
4	Spring Contact	Phosphor Bronze T=0.3	Tin Plated	1
5	Housing	PBT G.F.	Black	1
6	Bushing	Brass	Nickel Plated	1



Recommended PCB Layout
(PCB TOLERANCE ±0.05)

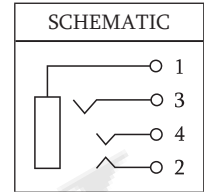
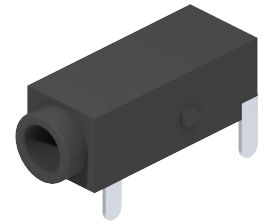
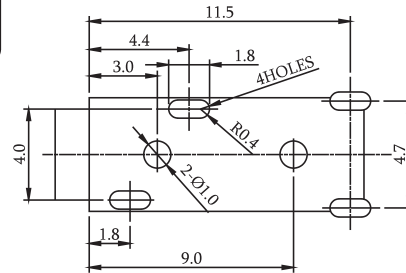
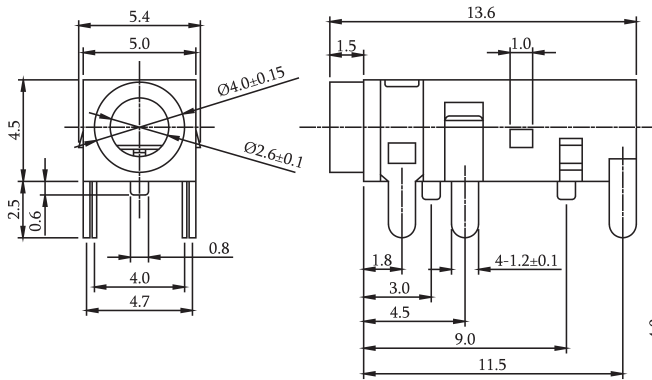


P/N.:5EJ25DC01-04T0BLB-01
Old P/N.:EPJ25-0009-04TB-L

CONNECTORS MANUFACTURER



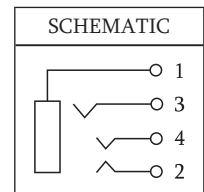
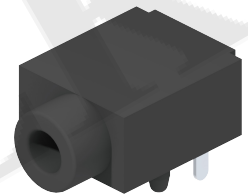
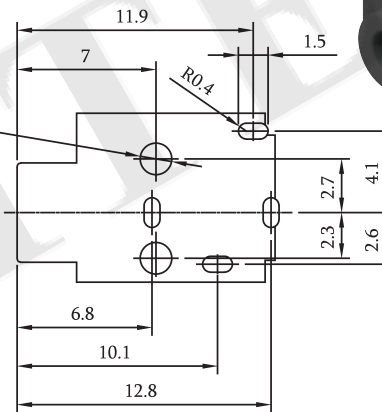
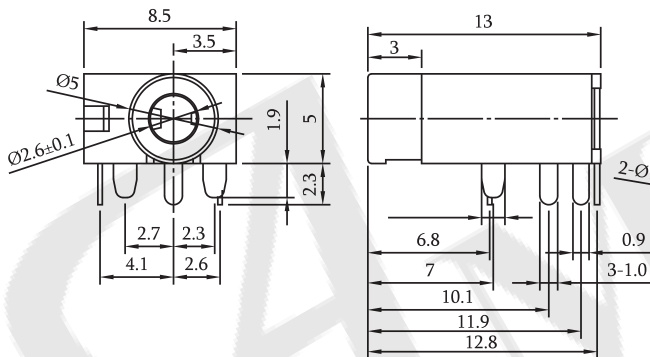
Ø2.5 Earphone Jack Conn. Dip R/A Type



NO.	Name	Material	Finish	QTY
1	Spring Piece	C5191 T=0.25	Silver Plated	1
2	Spring Piece	C5191 T=0.25	Silver Plated	1
3	Spring Piece	C5191 T=0.25	Silver Plated	1
4	Curve Piece	C2680 T=0.30	Silver Plated	1
5	Housing	PA9T	UI 94V-0, Black	1

Recommended PCB Layout
(PCB TOLERANCE ±0.05)

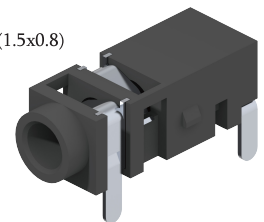
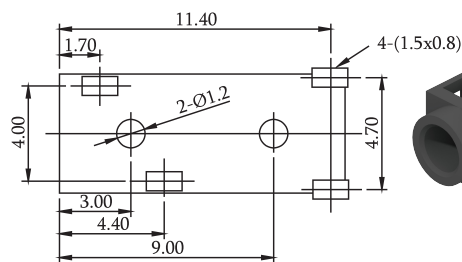
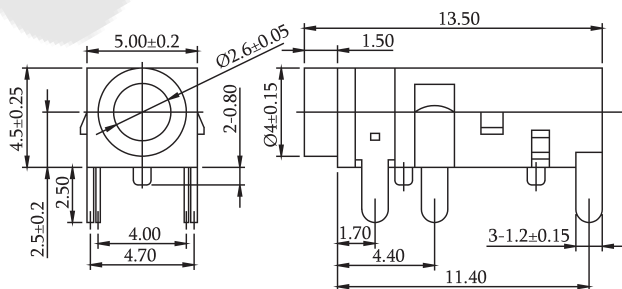
P/N.:5EJ25DC01-04SVBUB-04



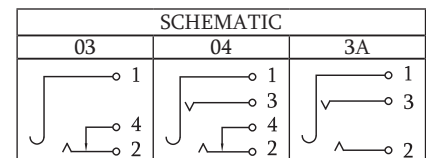
NO.	Name	Material	Finish	QTY
1	Spring Piece	C5191 T=0.25	Silver Plated	1
2	Spring Piece	C5191 T=0.25	Silver Plated	1
3	Curve Piece	C2680 T=0.30	Silver Plated	1
4	Contact Foot	C5191 T=0.25	Silver Plated	1
5	Housing	PBT	Black	1

Recommended PCB Layout
(PCB TOLERANCE ±0.05)

P/N.:5EJ25DC03-04SVBLB-01



Recommended PCB Layout (Bottom View)
(PCB TOLERANCE ±0.05)



NO.	Name	Material	Finish	QTY
1	Housing	PBT	Black	1
2	Ring spring	Phosphor bronze T=0.25	Silver Plated	2
3	Tip Spring	Phosphor bronze T=0.3	Silver Plated	1
4	Shunt terminal	Brass T=0.3	Silver Plated	1

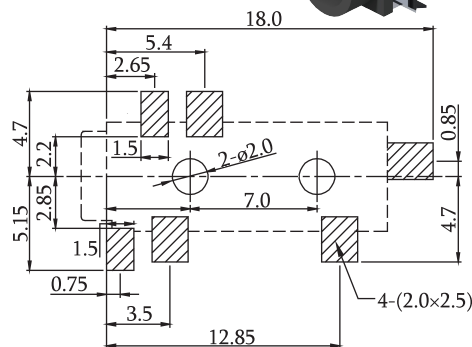
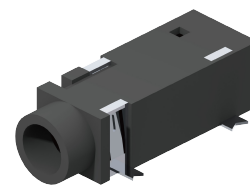
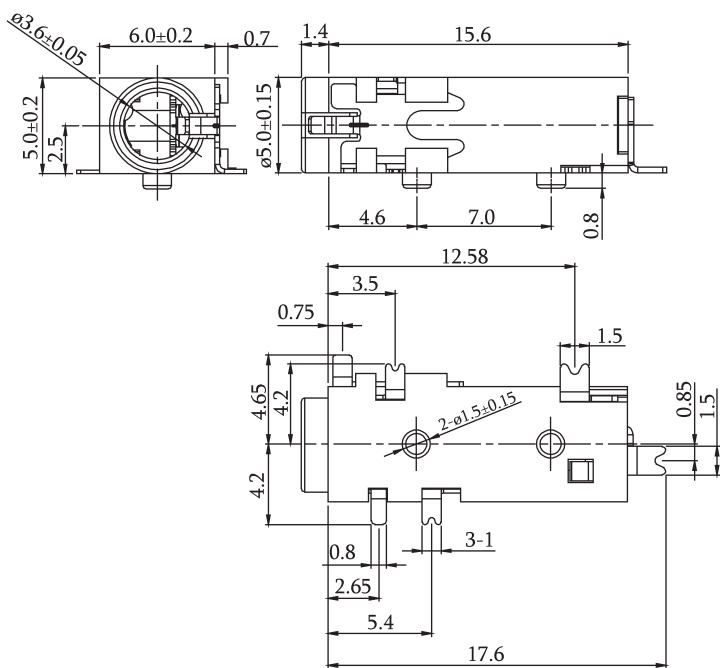
P/N.:5EJ25DC14-XXSVBLB-01

03-04,03A

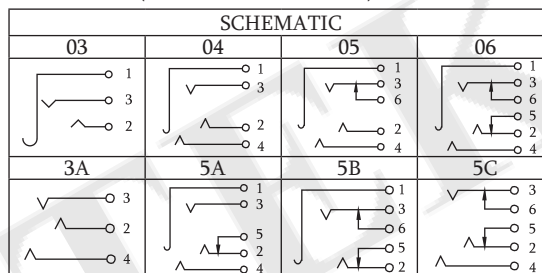
Earphone Jack Conn.

ROHS

Ø3.5 Earphone Jack Conn. SMT Type



Recommended PCB Layout
(PCB TOLERANCE ±0.05)

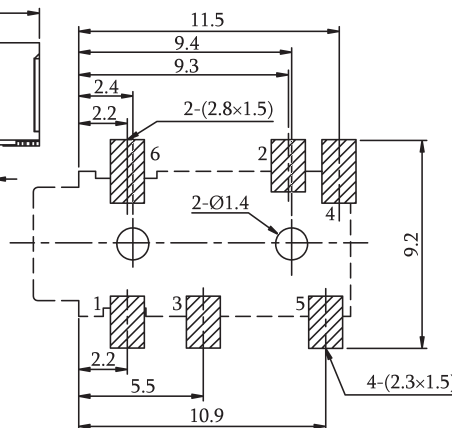
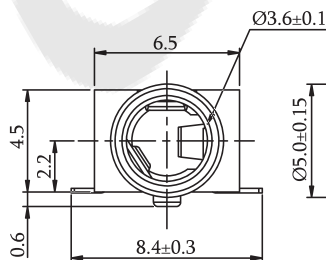
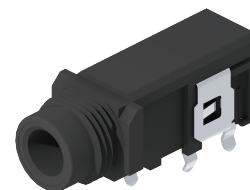
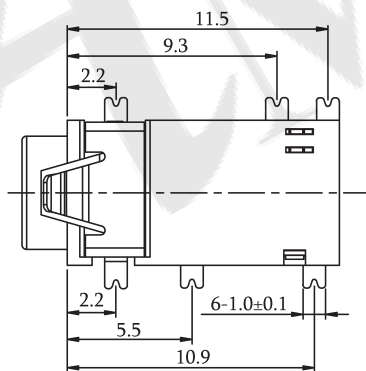


NO.	Name	Material	Finish	QTY
1	Housing	PA9T	UL94V-0	1
2	Cover	PA9T	UL94V-0	1
3	Earth Spring	Phosphor Bronze T=0.25		1
4	Tip Spring	Phosphor Bronze T=0.3		1
5	Ring Spring	Stainless Steel T=0.2		1
6	Ring Spring	Stainless Steel T=0.2		1
7	Shunt Terminal	Brass T=0.3		1
8	Shunt Terminal	Brass T=0.3		1

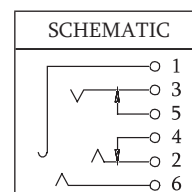
P/N.:5EJ35MC02-XXXXBUH-05

See Table

SV:Silver G0:Gold Flash



Recommended PCB Layout
(PCB TOLERANCE ±0.05)



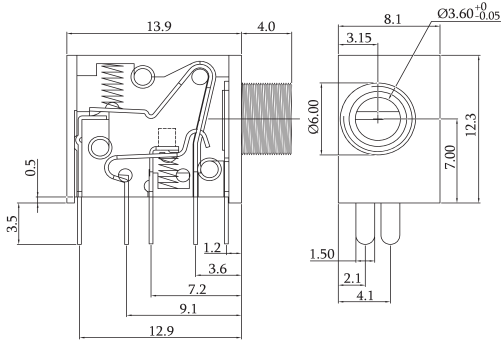
NO.	Name	Material	Finish	QTY
1	Contact Foot	C5191 T=0.2	Silver Plated	1
2	Spring Foot	C5191 T=0.2	Silver Plated	1
3	Spring Foot	C5191 T=0.2	Silver Plated	1
4	Curve Piece	C5191 T=0.2	Silver Plated	1
5	Curve Piece	C5191 T=0.2	Silver Plated	1
6	Contact Foot	C2680 T=0.2	Silver Plated	1
7	Housing	PA9T	UL94V-0, Black	1

P/N.:5EJ35MC05-06SVBUH-02

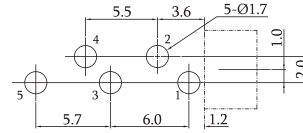
CONNECTORS MANUFACTURER



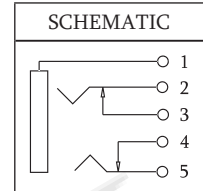
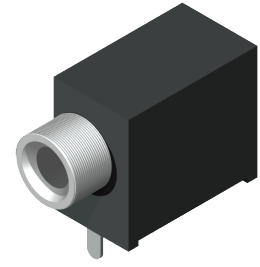
Ø3.5 Earphone Jack Conn. Dip R/A Type



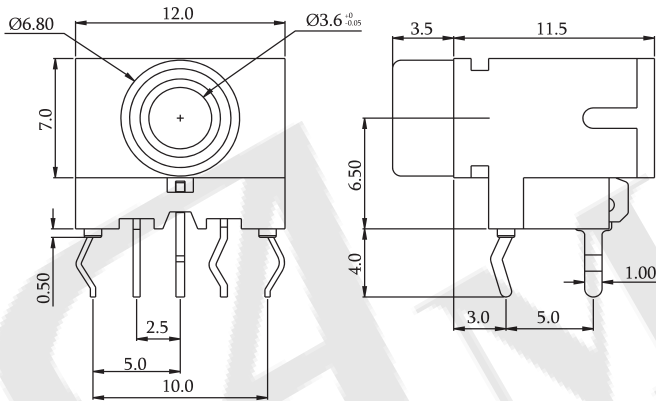
NO.	Name	Material	Finish	QTY
1	Earth Terminal	Brass T=0.3	Tin Plated	1
2	Tip Spring	Phos. Bronze T=0.23	Tin Plated	1
3	Tip Shunt	Brass T=0.3	Tin Plated	1
4	Ring Spring	PBS T=0.3	Tin Plated	1
5	Ring Shunt	Brass T=0.3	Tin Plated	1
6	Cover	Stainless Steel	Black	1
7	Spring	PBT G.F.	Nickel Plated	2
8	Bushing	Brass	Nickel Plated	1
9	Housing	PBT G.F.	Black	1



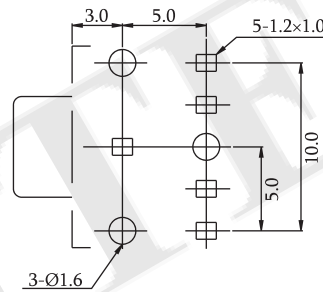
Recommended PCB Layout
(PCB TOLERANCE ±0.05)



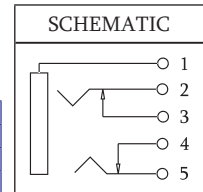
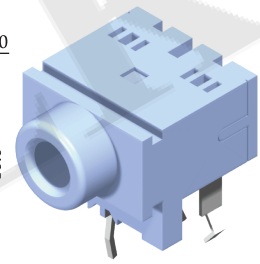
P/N.:5EJ35DC01-05T0BLA-01
Old P/N:EPJ35-0004TP-XXTB-L



NO.	Name	Material	Finish	QTY
1	Ground Term	PBS T=0.5	Tin Plated	1
2	Ring Spring	PBS T=0.3	Tin Plated	1
3	Tip Spring	PBS T=0.3	Tin Plated	1
4	Ring Break	Brass T=0.4	Tin Plated	1
5	Tip Break	Brass T=0.4	Tin Plated	1
6	Housing	PBT G.F.	See Color	1
7	Back Cover	PBT G.F.	See Color	1



Recommended PCB Layout
(PCB TOLERANCE ±0.05)



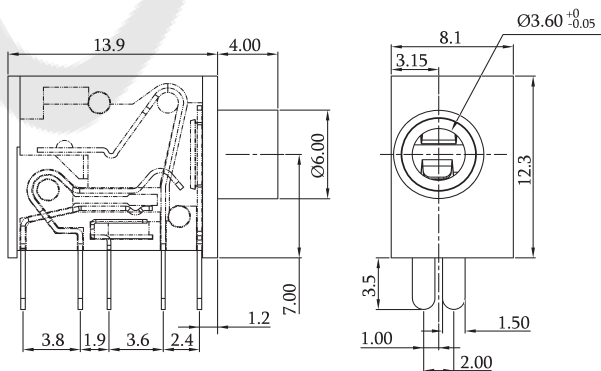
Table

Model No.	5EJ35DC02-05T0XLA-01					
	B	P	X	Z	Y	O
Housing Color	Black	Pink	Light Blue	Lime	Yellow	Orange
Pantone	701C	284C	284C	577C	123C	157C

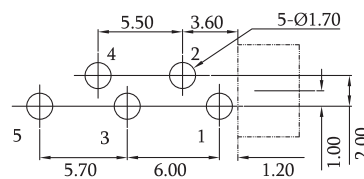
P/N.:5EJ35DC02-05T0XLA-01

Old P/N:EPJ35-0008P-05TX-L

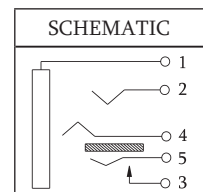
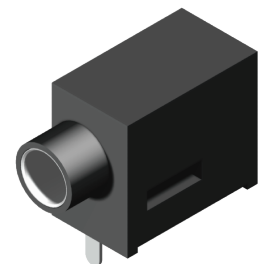
See Table



NO.	Name	Material	Finish	QTY
1	Pin 1	Brass T=0.3	Tin Plated	1
2	Pin 2	Phos. Bronze T=0.30	Tin Plated	1
3	Pin 3	Phos. Bronze T=0.25	Tin Plated	1
4	Pin 4	Phos. Bronze T=0.30	Tin Plated	1
5	Pin 5	Phos. Bronze T=0.30	Tin Plated	1
6	Cover	PBT+Fibre		1
7	Bushing	Brass	Nickel Plated	1
8	Housing	PBT+Fibre		1



Recommended PCB Layout
(PCB TOLERANCE ±0.05)



Table

Model No.	5EJ35DC03-05T0XLA-01			
	B	P	X	Z
Housing Color	Black	Pink	Light Blue	Lime
Pantone	701C	284C	577C	

P/N.:5EJ35DC03-05T0XLA-01

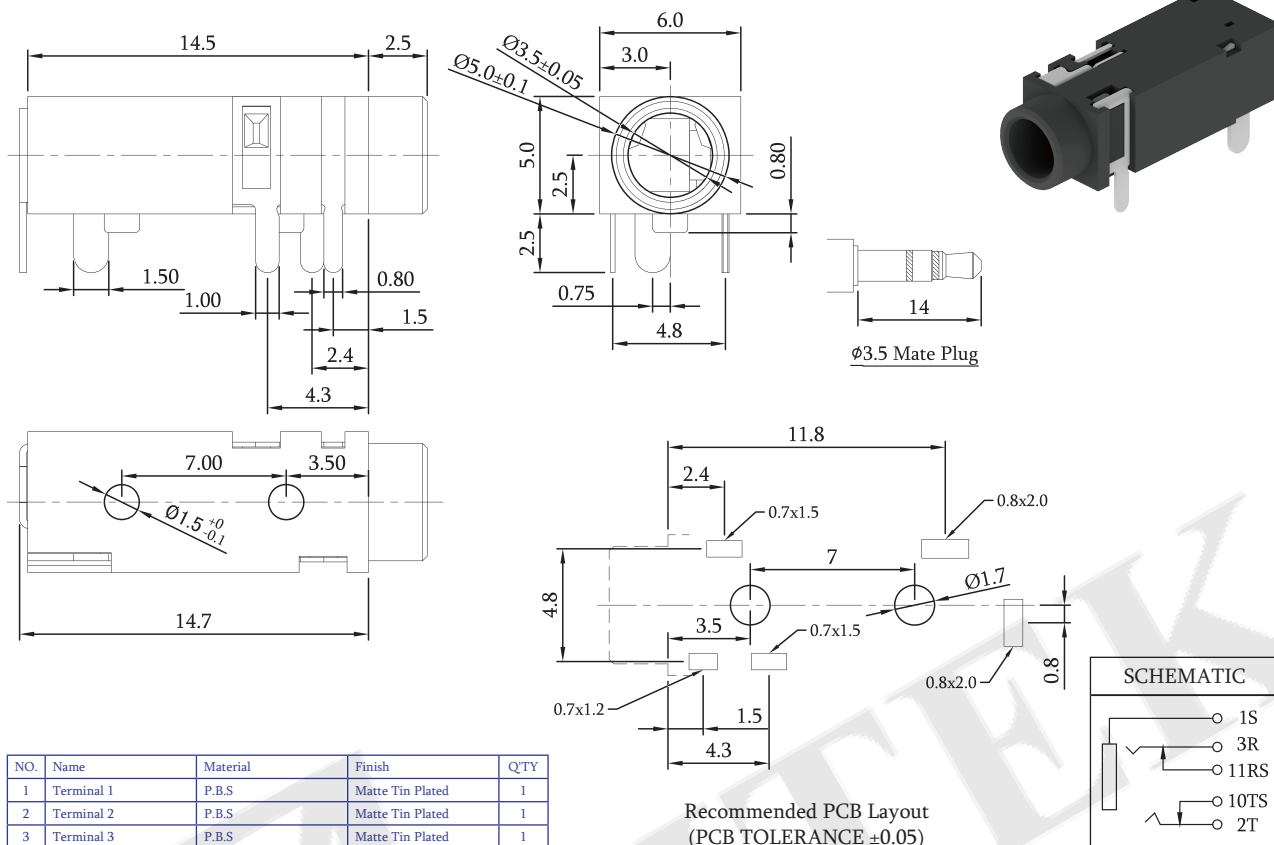
Old P/N:EPJ35-2508P-05TX-L

See Table

Earphone Jack Conn.

ROHS

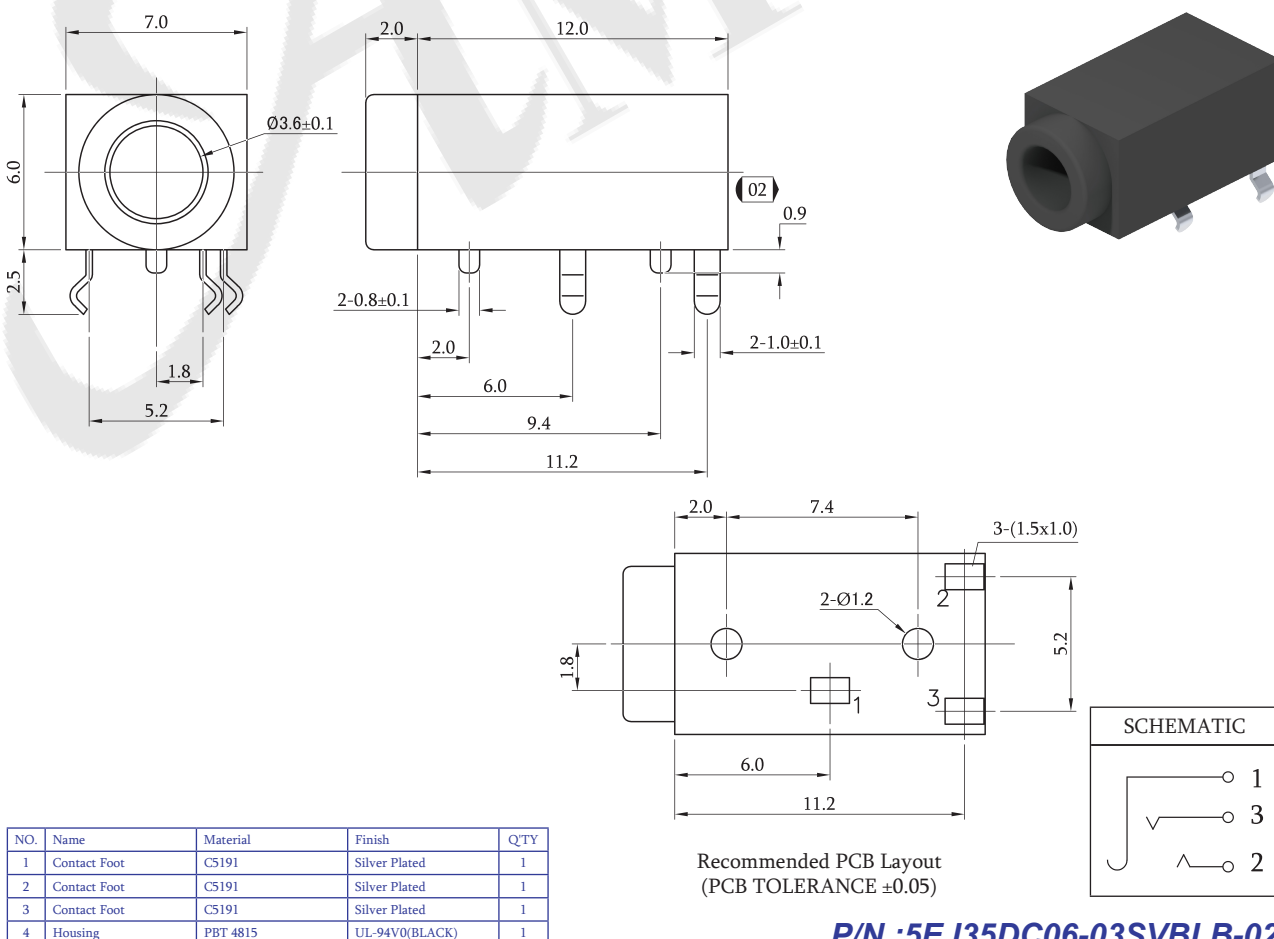
Ø3.5 Earphone Jack Conn. Dip R/A Type



NO.	Name	Material	Finish	QTY
1	Terminal 1	P.B.S	Matte Tin Plated	1
2	Terminal 2	P.B.S	Matte Tin Plated	1
3	Terminal 3	P.B.S	Matte Tin Plated	1
4	Terminal 11	Brass	Matte Tin Plated	1
5	Terminal 10	Brass	Matte Tin Plated	1
6	Housing	PA66	Black	1

Recommended PCB Layout
(PCB TOLERANCE ±0.05)

P/N.:5EJ35DC05-05T0BLB-01
Old P/N:LJE0372A-5-03A

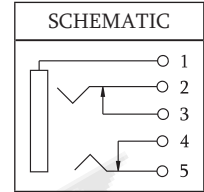
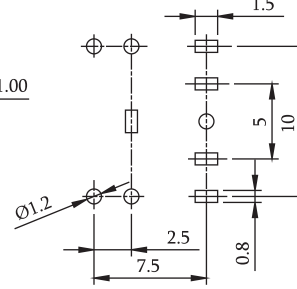
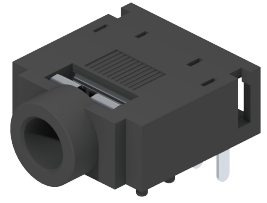
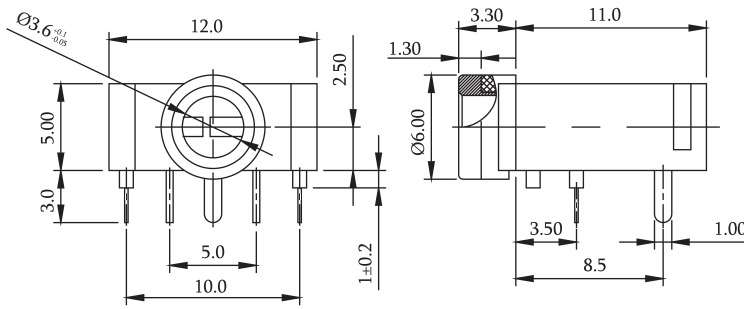


NO.	Name	Material	Finish	QTY
1	Contact Foot	C5191	Silver Plated	1
2	Contact Foot	C5191	Silver Plated	1
3	Contact Foot	C5191	Silver Plated	1
4	Housing	PBT 4815	UL-94V0(BLACK)	1

Recommended PCB Layout
(PCB TOLERANCE ±0.05)

P/N.:5EJ35DC06-03SVBLB-02

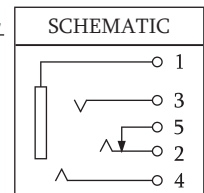
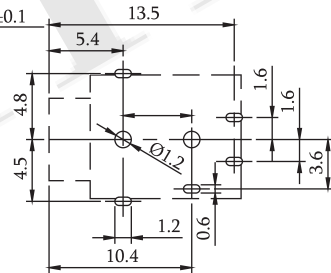
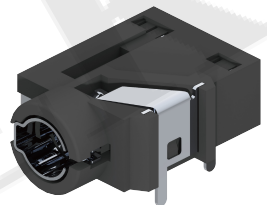
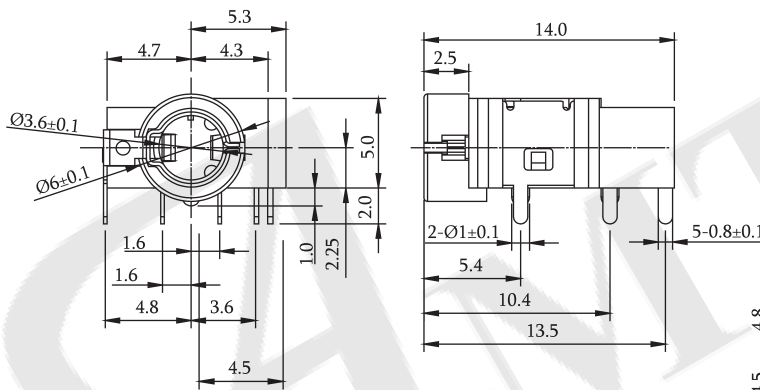
Ø3.5 Earphone Jack Conn. Dip R/A Type



NO.	Name	Material	Finish	QTY
1	Housing	PBT	UL94V-0, BLACK	1
2	Earth Spring	Copper Alloy T=0.2	Nickel / Silver Plated	1
3	Ring Spring	Stainless Steel T=0.2	Nickel / Silver Plated	1
4	Shunt Terminal A	Brass T=0.4	Nickel / Silver Plated	1
5	Shunt Terminal A	Brass T=0.4	Nickel / Silver Plated	1
6	Tip Spring	Stainless Steel T=0.2	Nickel / Silver Plated	1
7	Bushing	Brass	Nickel Plated	1

Recommended PCB Layout
(PCB TOLERANCE ±0.05)

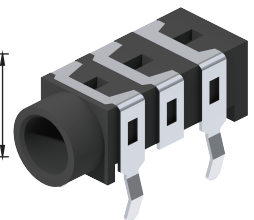
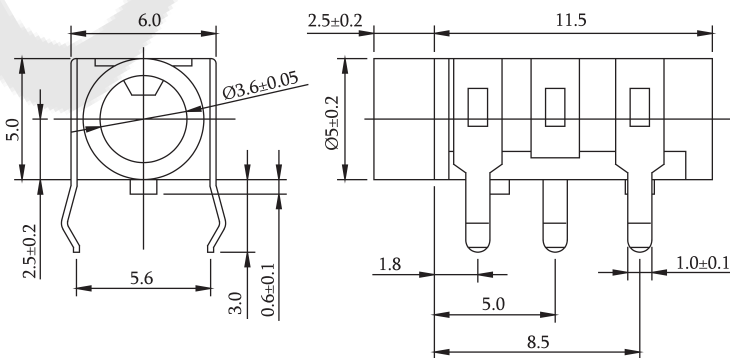
P/N.:5EJ35DC15-05SVBLA-02



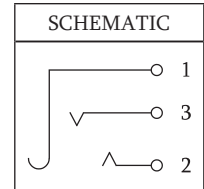
NO.	Name	Material	Finish	QTY
1	Earth Spring	C5191 T=0.2	Gold Plated	1
2	Tip Spring	C5191 T=0.25	Silver Plated	1
3	Ring Spring	C5191 T=0.2	Silver Plated	1
4	Ring Spring	C5191 T=0.3	Silver Plated	1
5	Shunt Terminal	C2680 T=0.25	Silver Plated	1
6	Housing	Nylon 66	Black	1

Recommended PCB Layout
(PCB TOLERANCE ±0.05)

P/N.:5EJ35DC16-05SVBLH-01



Recommended PCB Layout
(PCB TOLERANCE ±0.05)



Table

Model No.	5EJ35DC17-03SVXLB-01				
	W	R	U	E	Y
Housing Color	Natural	Red	Blue	Green	Yellow
Pantone					123C

NO.	Name	Material	Finish	QTY
1	Housing	PBT		1
2	Earth spring	Phosphor bronze T=0.25	Silver Plating	1
3	Ring spring	Phosphor bronze T=0.25	Silver Plating	1
4	Tip spring	Stainless steel T=0.25	Silver Plating	1

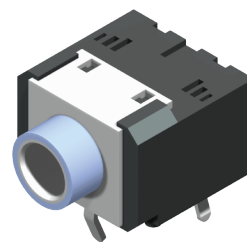
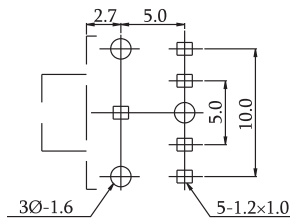
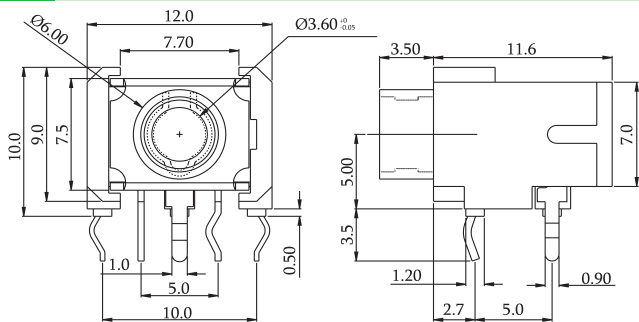
P/N.:5EJ35DC17-03SVXLB-01

See Table J

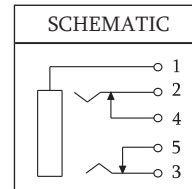
Earphone Jack Conn.

ROHS

Ø3.5 Earphone Jack Conn. Dip R/A Type



Recommended PCB Layout
(PCB TOLERANCE ±0.05)



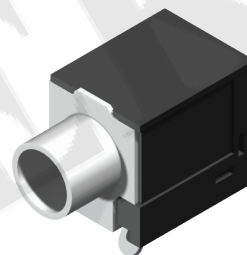
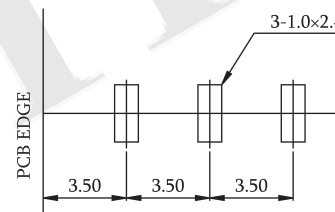
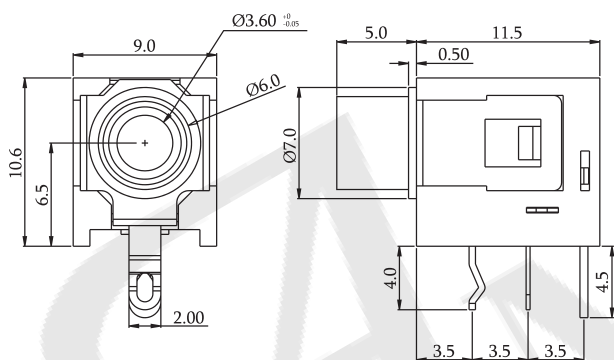
NO.	Name	Material	Finish	QTY
1	Ground Terminal	C.R.S. T=0.5	Tin Plated	1
2	Ring Spring	PBS T=0.3	Tin Plated	1
3	Tip Spring	PBS T=0.3	Tin Plated	1
4	Ring Break	Brass T=0.4	Tin Plated	1
5	Tip Break	Brass T=0.4	Tin Plated	1
6	Bushing	Brass	Nickel Plated	1
7	Housing	PBT G.F.	Black	1
8	Back Cover	PBT G.F.	Black	1
9	Spring Wire	Brass	Silver Plated	1
10	Tube	PBT G.F.	See Table	1

Table

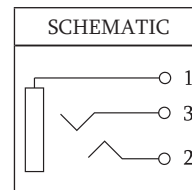
Model No.	5EJ35DD02-05T0XLB-01		
	P	X	Z
Housing Color	Pink	Light Blue	Lime
Pantone	701C	284C	577C

P/N.: 5EJ35DD02-05T0XLA-01

Old P/N.: EPJ35-0005FP-XXTX-L See Table



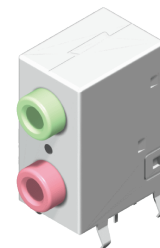
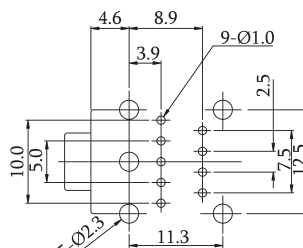
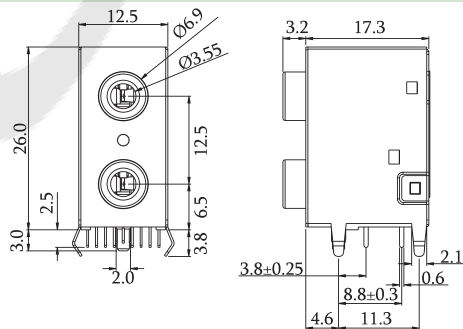
Recommended PCB Layout
(PCB TOLERANCE ±0.05)



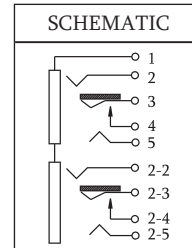
NO.	Name	Material	Finish	QTY
1	Ground Terminal	C.R.S. 0.4 THK	Tin Plated	1
2	Tip Terminal	Phosphor bronze T=0.25	Tin Plated	1
3	Ring Terminal	Brass T=0.5	Tin Plated	1
4	Bushing	Brass	Nickel Plated	1
5	Housing	PBT G.F.	Black	1

P/N.: 5EJ35DD03-03T0BLB-01

Old P/N.: EPJ35-2017A-03TB-L



Recommended PCB Layout
(PCB TOLERANCE ±0.05)



NO.	Name	Material	Finish	QTY
1	Ground Terminal	Phosphor bronze T=0.5	Tin Plated	1
2	Spring Terminal	Phosphor bronze T=0.25	Tin Plated	2
3	Spring Terminal	Phosphor bronze T=0.25	Silver Plated	2
4	Spring Terminal	Phosphor bronze T=0.25	Silver Plated	2
5	Spring Terminal	Phosphor bronze T=0.3	Tin Plated	2
6	Terminal	Brass T=0.3	Tin Plated	4
7	Top Housing	Nylon PA66 (ASV0)	See Color	1
8	Bottom Housing	Nylon PA66 (ASV0)	See Color	1
9	Bottom Cover	PBT G.F.	Black	1
10	Front Shell	Spcc 0.3Mm	Nickel Plated	1
11	Back Shell	Brass 0.3Mm	Nickel Plated	1
12	Ground Terminal	Phosphor bronze T=0.25	Tin Plated	2

Table

	Top Housing	Bottom Housing
5EJ35DD05-09T0BLB-01	Black	Black
5EJ35DD05-09T0ZLB-01	Lime	Pink
5EJ35DD05-09T0ZLB-02	Pink	Lime
5EJ35DD05-09T0ZLB-03	Lime	Light Blue

P/N.: 5EJ35DD05-09ZNXLA-0X

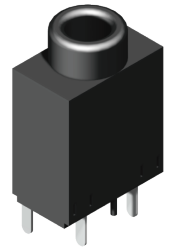
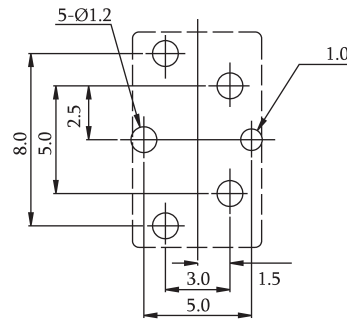
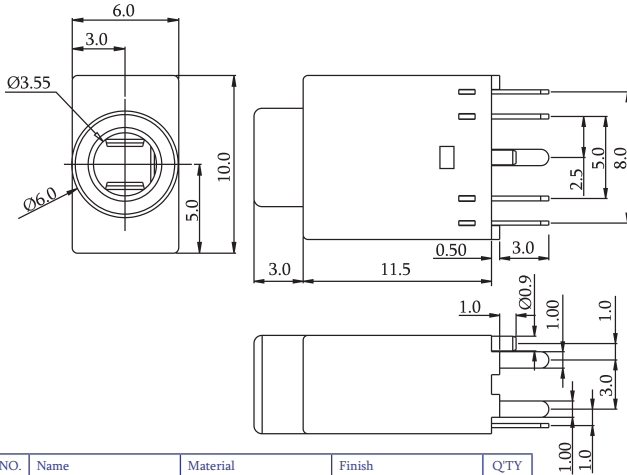
Old P/N.: EPJ35-2511P-09TX-L

See Table

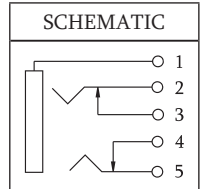
CONNECTORS MANUFACTURER



Ø3.5 Earphone Jack Conn. Dip Vertical Type



Recommended PCB Layout
(PCB TOLERANCE ±0.05)



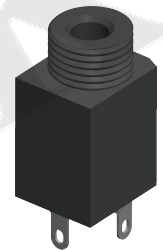
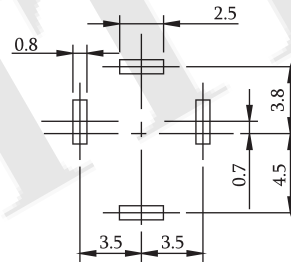
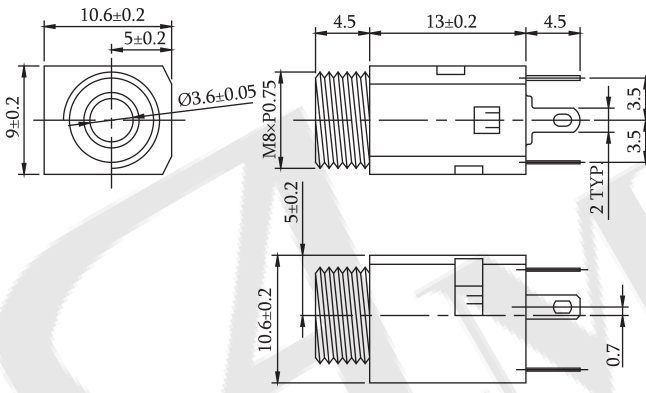
NO.	Name	Material	Finish	QTY
1	Earth Terminal	Phosphor Bronze T=0.25	Tin Plated	1
2	Tip Spring	PBS T=0.25	Tin Plated	1
3	Ring Shunt	Brass T=0.3	Tin Plated	1
4	Ring Shunt	Brass T=0.3	Tin Plated	1
5	Tip Spring	PBS T=0.25	Tin Plated	1
6	Housing	PBT G.F.	See Table	1

Table

Model No.	5EJ35DA01-05T0XLB-01			
	B	P	X	Z
Housing Color	Black	Pink	Light Blue	Lime
Pantone	701C	284C	284C	577C

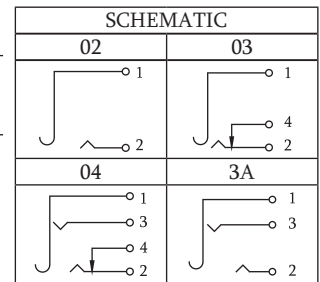
P/N.:5EJ35DA01-05T0XLB-01

Old P/N.:EPJ35-0015P-XXTX-L [See Table](#)



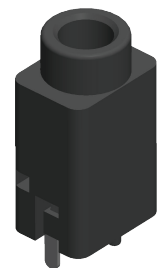
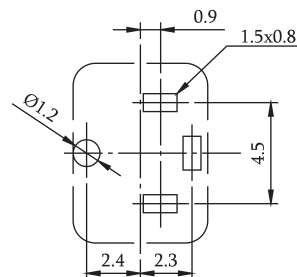
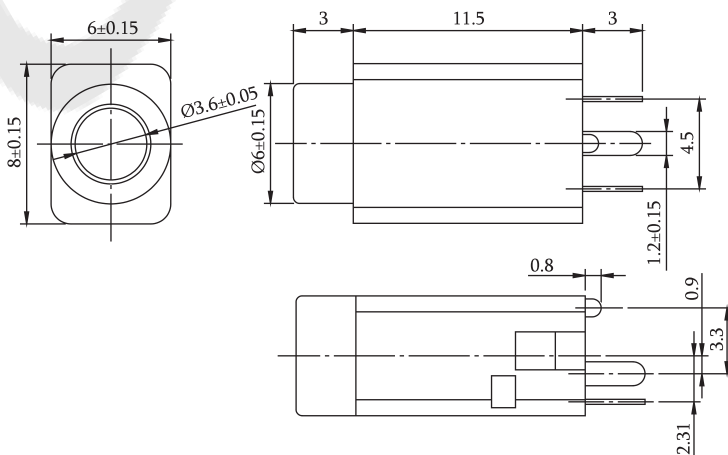
NO.	Name	Material	Finish	QTY
1	Housing	PBT UL 94V-0	Black	1
2	Earth Spring	Phosphor Bronze T=0.25	Silver Plated	1
3	Tip Spring	Phosphor Bronze T=0.25	Silver Plated	1
4	Ring Spring	Phosphor Bronze T=0.3	Silver Plated	1
5	Shunt Terminal	Brass T=0.4	Silver Plated	1
6	Nut	Copper Alloy	Nickel Plated	1

Recommended PCB Layout
(PCB TOLERANCE ±0.05)



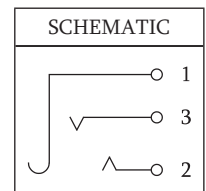
P/N.:5EJ35DA03-XXSVBLB-01

02~04,03A



NO.	Name	Material	Finish	QTY
1	Housing	PBT		1
2	Earth Terminal	Phosphor Bronze	Silver Plated	1
3	Tip Spring	Phosphor Bronze	Silver Plated	1
4	Ring Spring	Phosphor Bronze	Silver Plated	1

Recommended PCB Layout
(PCB TOLERANCE ±0.05)

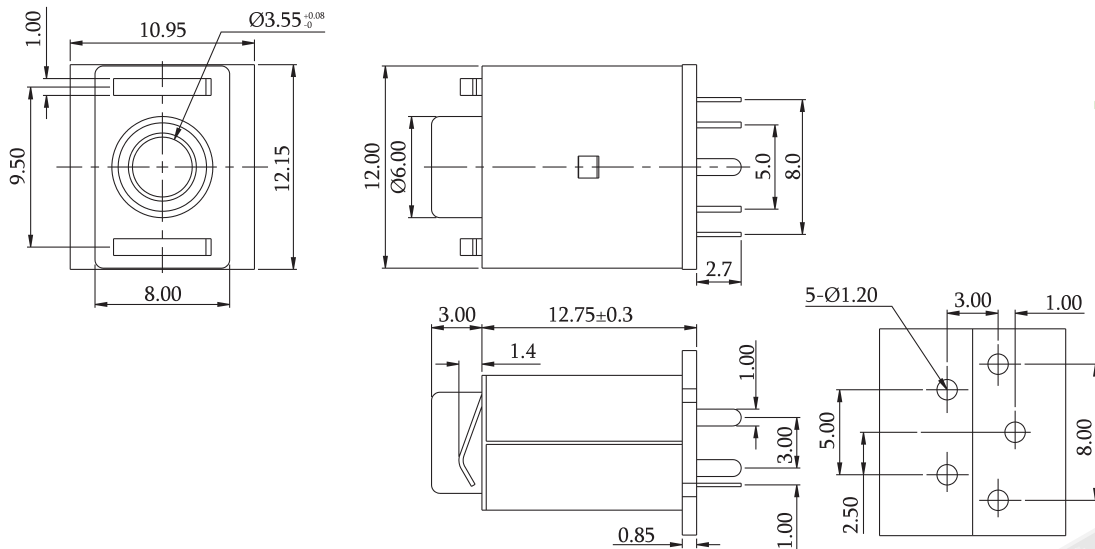
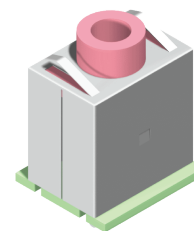


P/N.:5EJ35DA04-03SVBLB-01

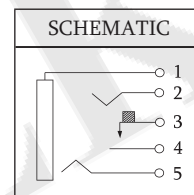
E arphone Jack Conn.

ROHS

Ø3.5 Earphone Jack Conn. Dip Vertical



Recommended PCB Layout
(PCB TOLERANCE ±0.05)



Table

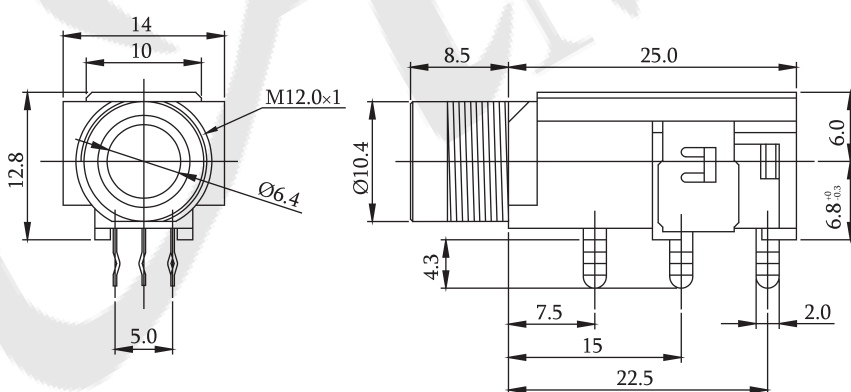
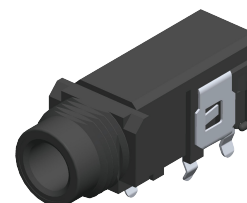
Model No.	5EJ35DB01-05T0XLA-01		
	B	P	Z
Housing Color	Black	Pink	Lime
Pantone		701C	577C

NO.	Name	Material	Finish	QTY
1	Pin 1	Phosphor Bronze T=0.25	Tin Plated	1
2	Pin 2	Phosphor Bronze T=0.25	Tin Plated	1
3	Pin 3	PBS T=0.25	Silver Plated	1
4	Pin 4	PBS T=0.25	Silver Plated	1
5	Pin 5	Phosphor Bronze T=0.25	Tin Plated	1
6	Housing	PA66(ASV0)	See Table	1
7	Shell	Stainless steel T=0.15		1
8	Cover	PBT G.F.	Lime	1

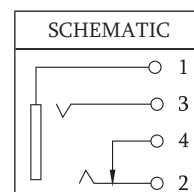
P/N.: 5EJ35DB01-05ZNXLA-01

Old P/N.: EPJ35-2506SP-05TX-L See Table

Ø6.4 Earphone Jack Conn. Dip R/A



Recommended PCB Layout
(PCB TOLERANCE ±0.05)



NO.	Name	Material	Finish	QTY
1	Contact Foot 1	C5191	Silver Plated	1
2	Contact Foot 2	C5191	Silver Plated	1
3	Contact Foot 3	C5191	Silver Plated	1
4	Contact Foot 4	C5191	Silver Plated	1
5	Cover	PBT 4815	Silver Plated	1
6	Housing	PBT 4815	UL 94V-0, Black	1
7	Axis Support	H59 (Copper Alloy)	UL 94V-0, Black	1

P/N.: 5EJ64DC01-04SVBLB-02