

Board To Wire & Wire To Wire Connectors

3-131~3-136 • LCD Housing Wafer Terminal



AMTEK Technology Co., Ltd

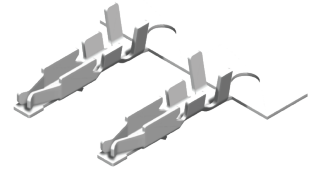
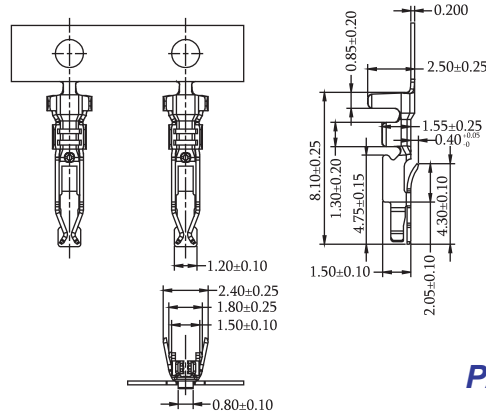
3.5mm LCD Terminal / Housing

Specifications

Current Rating: 1A AC, DC
 Voltage Rating: 1400V AC, DC
 Temperature Range: -25°C to +85°C
 Contact Resistance: 10mΩ Max
 Insulation Resistance: 1000MΩ Min
 Withstanding Voltage: 3800V AC/minute

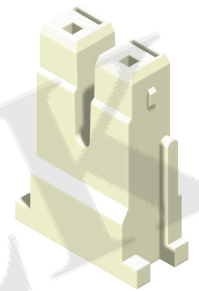
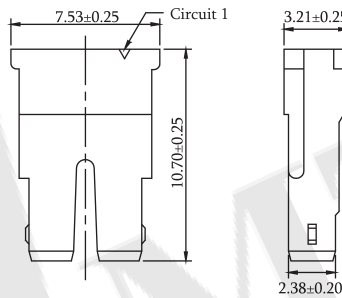
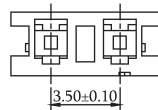
Material

Housing: Nylon 66, UL 94V-0

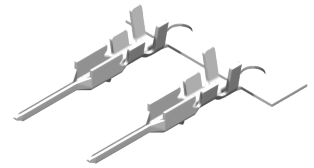
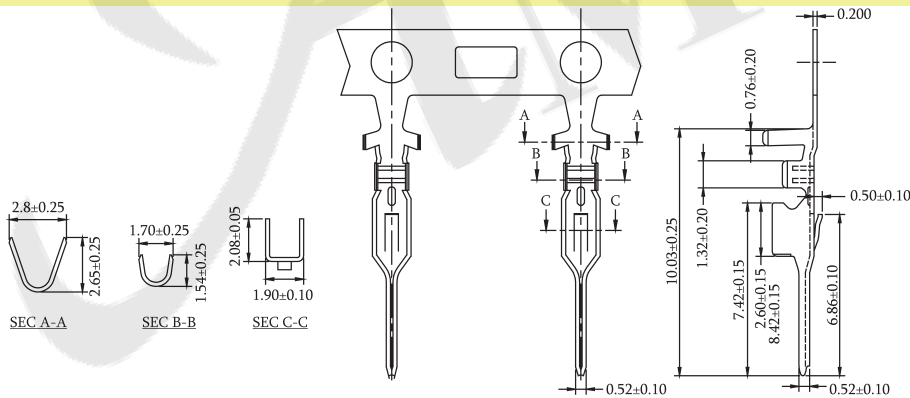


Wire Range	Insulation O.D.	Material	Finish
#24-#28	1.60mm(Max)	Phosphor Bronze	Tin Plated

P/N.:5T3502F-XXXX*01
 Optional

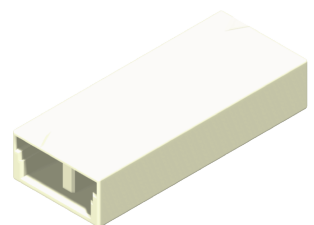
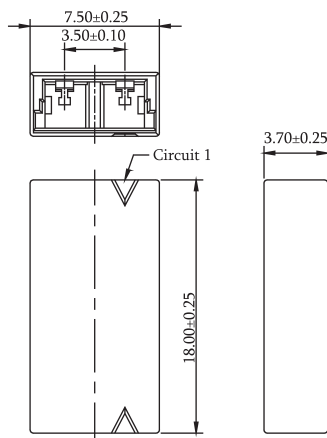


P/N.:5H3502F0-102XXL00*01
 Optional



Wire Range	Insulation O.D.	Material	Finish
#24-#28	1.80mm(Max)	Phosphor Bronze	Tin Plated

P/N.:5T3502M-XXXX*01
 Optional



P/N.:5H3502M0-102XXL00*01
 Optional

Housing Wafer Terminal

ROHS

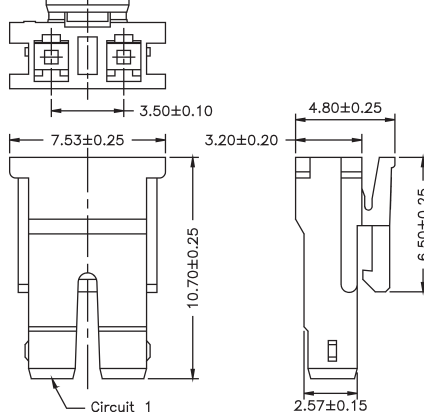
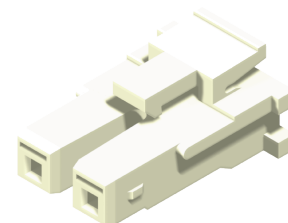
3.5mm LCD Housing / Wafer SMT R/A & Straight Type

Specifications

Current Rating: 1A AC, DC
 Voltage Rating: 1400V AC, DC
 Temperature Range: -20°C to +85°C
 Contact Resistance: 10mΩ Max
 Insulation Resistance: 1000MΩ Min
 Withstanding Voltage: 3800V AC/minute

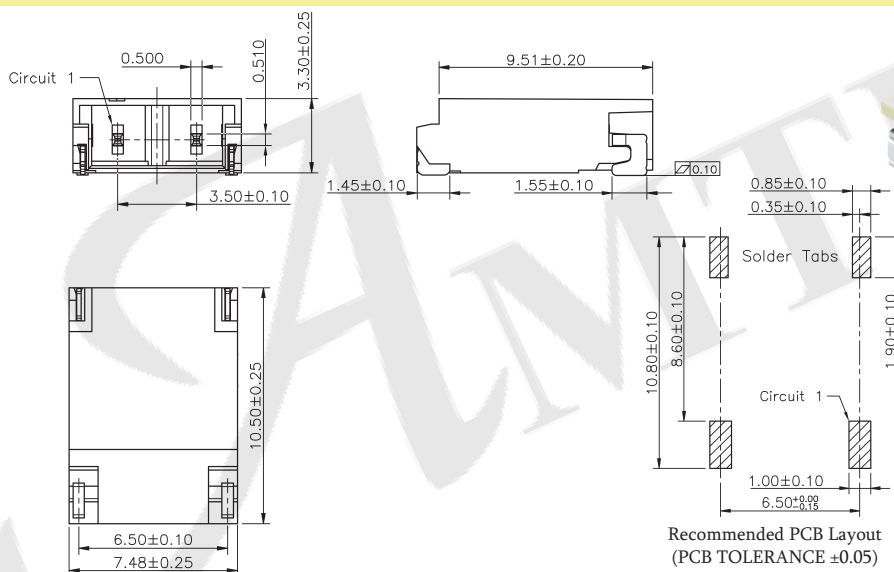
Material

Housing: Nylon 66, UL 94V-0
 Wafer: Nylon 6T, UL 94V-0
 Terminal: Brass / Tin Plated
 Solder Tabs: Brass / Tin Plated



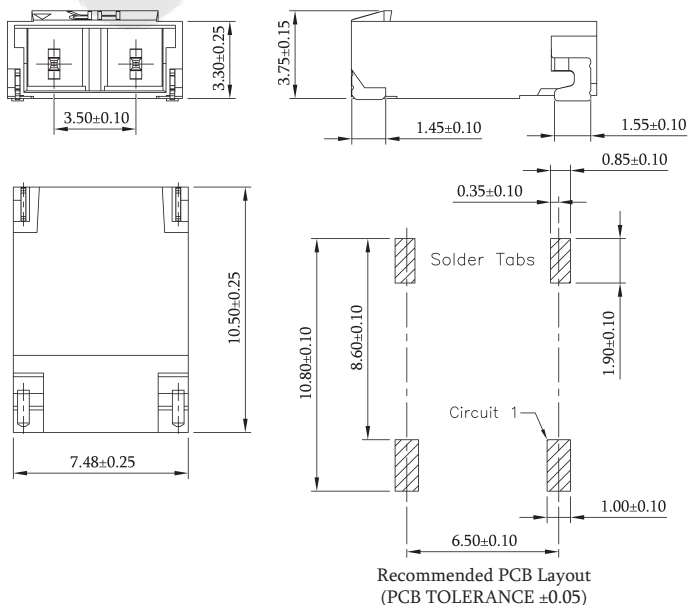
P/N.:5H3502F1-102XXL00*01

Optional



PIN.:5W3502H0-102XXXXU*01

Optional



PIN.:5W3502H1-102XXXXU*01

Optional

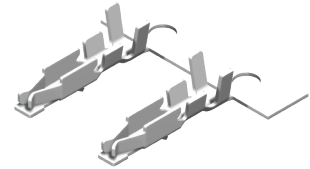
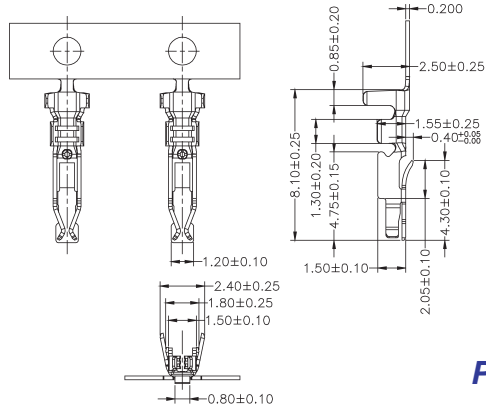
3.5mm LCD Terminal / Housing

Specifications

Current Rating: 1A AC, DC
 Voltage Rating: 1400V AC, DC
 Temperature Range: -25°C to +85°C
 Contact Resistance: 10mΩ Max
 Insulation Resistance: 1000MΩ Min
 Withstanding Voltage: 3800V AC/minute

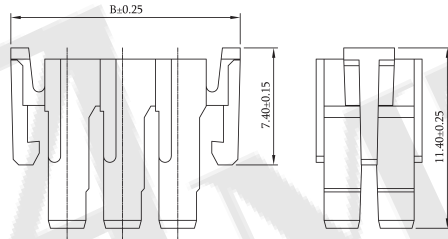
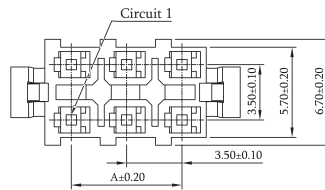
Material

Housing: Nylon 66, UL 94V-0



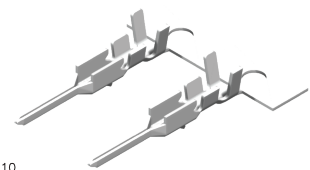
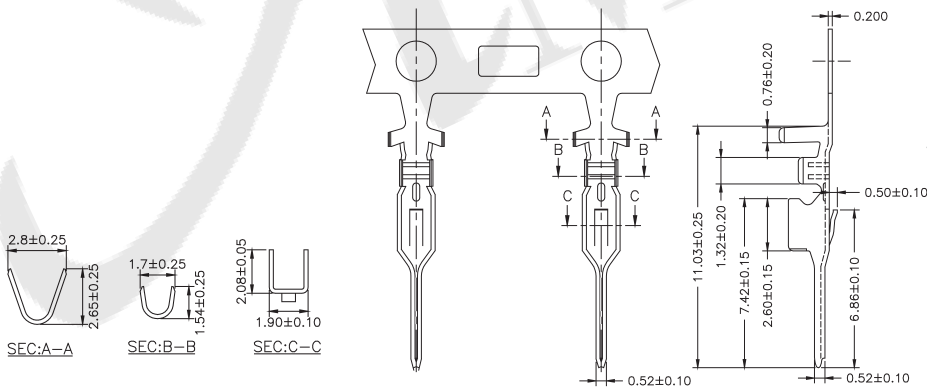
Wire Range	Insulation O.D.	Material	Finish
#24-#28	1.60mm(Max)	Phosphor Bronze	Tin Plated

P/N.:5T3502F-XXXXR*01
 Optional



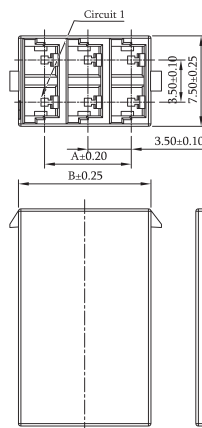
No. of Contacts	Dimensions	
	A	B
03	7.00	14.00
06	17.50	24.50

P/N.:5H3502F0-2XXXXL00*01
 Optional



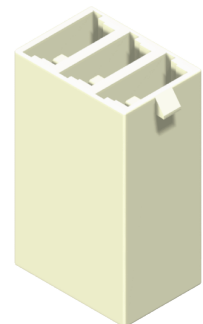
Wire Range	Insulation O.D.	Material	Finish
#24-#28	1.80mm(Max)	Phosphor Bronze	Tin Plated

P/N.:5T3502M-XXXXR*01
 Optional



No. of Contacts	Dimensions	
	A	B
03	7.00	14.00
06	17.50	24.50

P/N.:5H3502M0-2XXXXL00*01
 Optional



Housing Wafer Terminal

ROHS

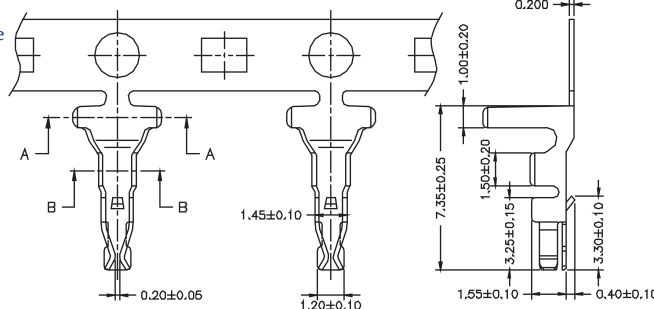
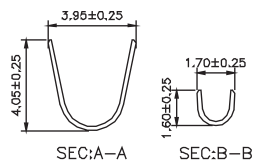
4.0mm LCD Terminal / Housing

Specifications

Current Rating: 1A AC, DC
 Voltage Rating: 600V AC, DC
 Temperature Range: -25°C to +85°C
 Contact Resistance: 10mΩ Max
 Insulation Resistance: 1000MΩ Min
 Withstanding Voltage: 1800V AC/minute

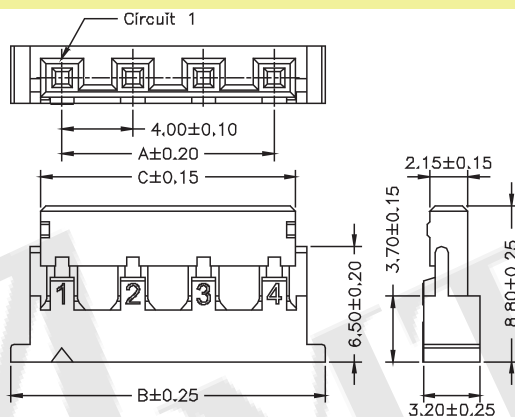
Material

Housing: Nylon 66, UL 94V-0



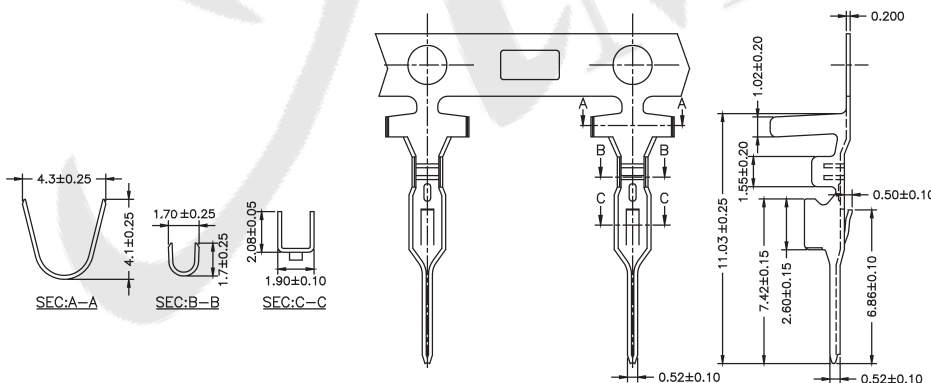
P/N.:5T4003F-XXXX*01
 Optional

Wire Range	Insulation O.D.	Material	Finish
#22-#28	2.40mm(Max)	Phosphor Bronze	Tin Plated



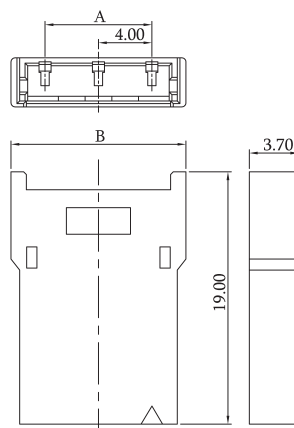
No. of Contacts	Dimensions		
	A	B	C
02	4.00	9.80	6.40
03	8.00	13.80	10.40
04	12.00	17.80	14.40
05	16.00	21.80	18.40

P/N.:5H4003F0-1XXXXL00*01
 Optional



Wire Range	Insulation O.D.	Material	Finish
#22-#28	2.40mm(Max)	Phosphor Bronze	Tin Plated

P/N.:5T4003M-XXXX*01
 Optional



No. of Contacts	Dimensions	
	A	B
02	4.00	9.10
03	8.00	13.10
04	12.00	17.10
05	16.00	21.10

P/N.:5H4003M0-1XXXXL00*01
 Optional

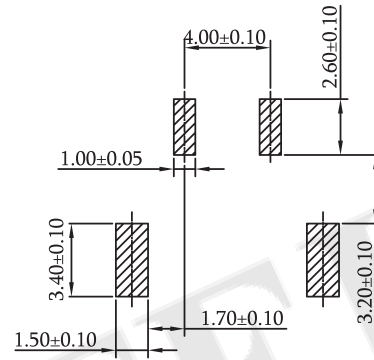
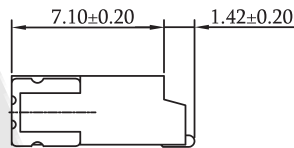
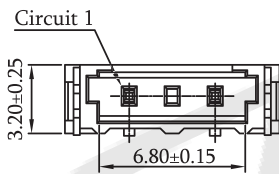
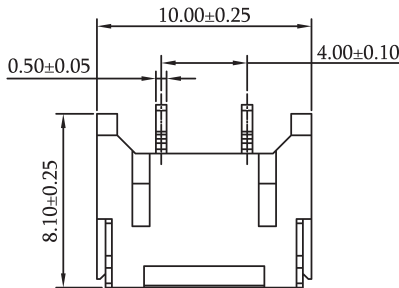
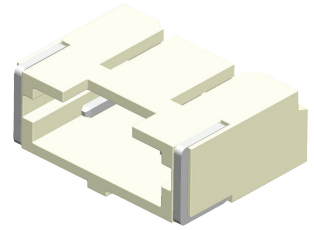
4.0mm LCD Wafer SMT R/A Type

Specifications

Current Rating: 1A AC, DC
 Voltage Rating: 600V AC, DC
 Temperature Range: -25°C to +85°C
 Contact Resistance: 10mΩ Max
 Insulation Resistance: 1000MΩ Min

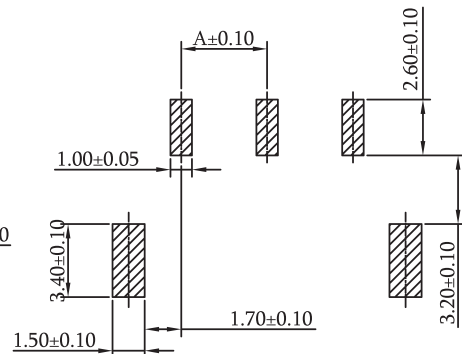
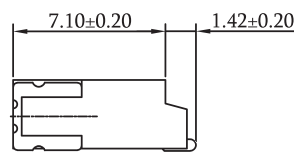
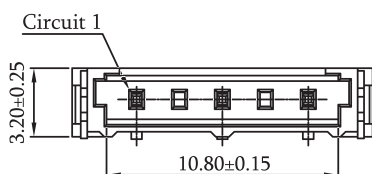
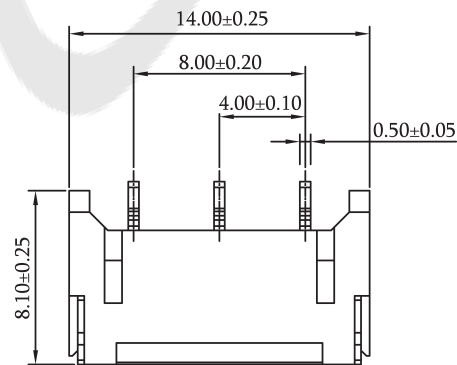
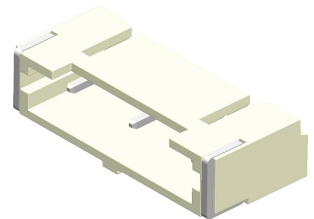
Material

Wafer: Nylon 6T, UL 94V-0
 Terminal: Brass / Tin Plated



Recommended PCB Layout
(PCB TOLERANCE ±0.05)

P/N.:5W4003H0-102XXXXU*01
 Optional



Recommended PCB Layout
(PCB TOLERANCE ±0.05)

P/N.:5W4003H0-103XXXXU*01
 Optional

H

Housing Wafer Terminal

ROHS

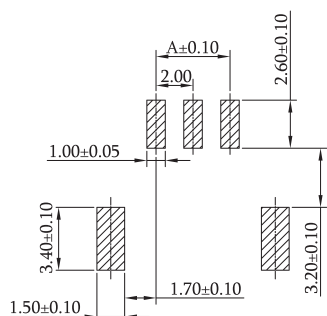
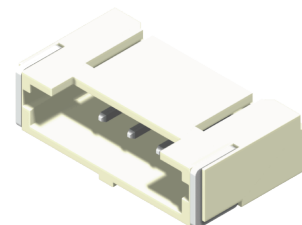
4.0mm LCD Wafer SMT R/A Type

Specifications

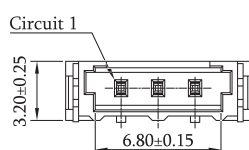
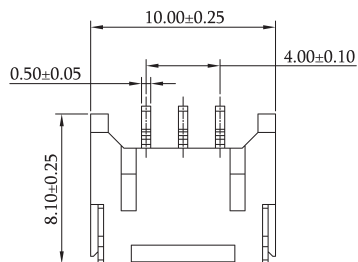
Current Rating: 1A AC, DC
 Voltage Rating: 600V AC, DC
 Temperature Range: -25°C to +85°C
 Contact Resistance: 10mΩ Max
 Insulation Resistance: 1000MΩ Min
 Withstanding Voltage: 1800V AC/minute

Material

Wafer: Nylon 6T, UL 94V-0
 Terminal: Brass / Tin Plated
 Solder Tabs: Brass / Tin Plated

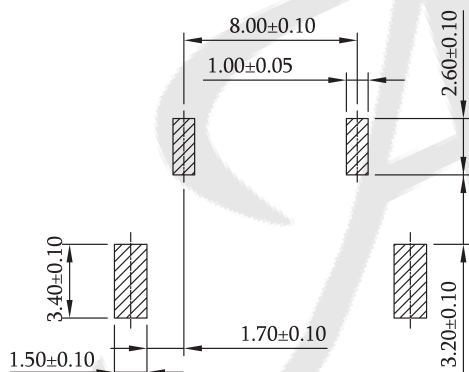


Recommended PCB Layout
(PCB TOLERANCE ±0.05)

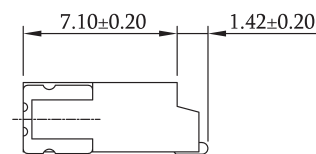
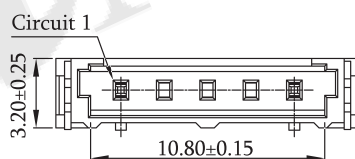
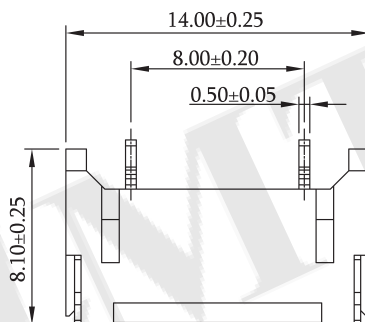


P/N.:5W4003H0-103XXXXU*S1

Optional

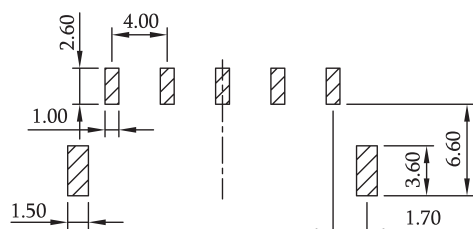


Recommended PCB Layout
(PCB TOLERANCE ±0.05)

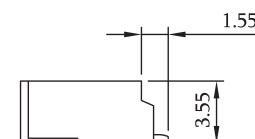
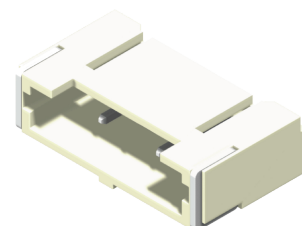
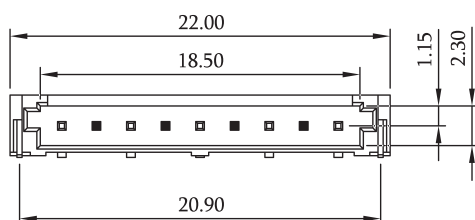
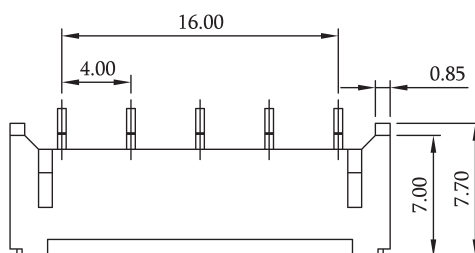


P/N.:5W4003H0-103XXXXU*M1

Optional



Recommended PCB Layout
(PCB TOLERANCE ±0.05)



P/N.:5W4003H1-105T0WHU*01

Optional