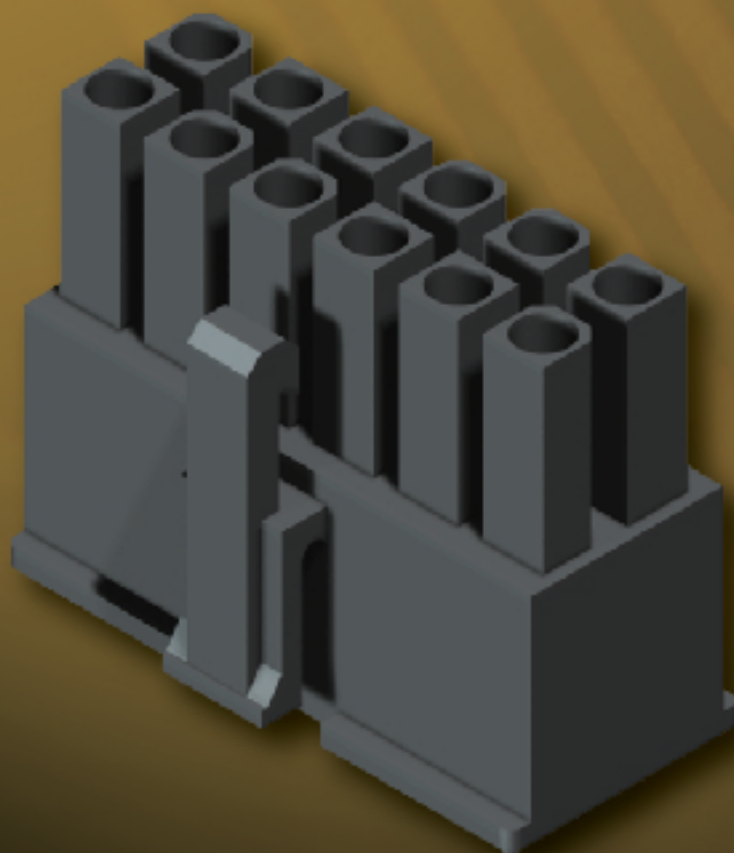


# Board To Wire & Wire To Wire Connectors

---

- 3-79~3-83 • Housing Wafer Terminal 3.0mm
- 3-84~3-85 • Housing Wafer Terminal 3.5mm
- 3-86~3-91 • Housing Wafer Terminal 3.96mm



**AMTEK Technology Co., Ltd**

# CONNECTORS MANUFACTURER



Old P/N.:3000 Series

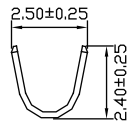
## 3.0mm 3000 Series Female Terminal / Male Housing / Wafer Straight Type

### Specifications

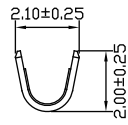
Current Rating: 5A AC,DC  
 Voltage Rating: 250V AC,DC  
 Temperature Range: -25°C to +85°C  
 Contact Resistance: 10mΩ Max  
 Insulation Resistance: 1000MΩ Min  
 Withstanding Voltage: 1500V AC/minute

### Material

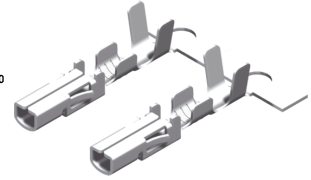
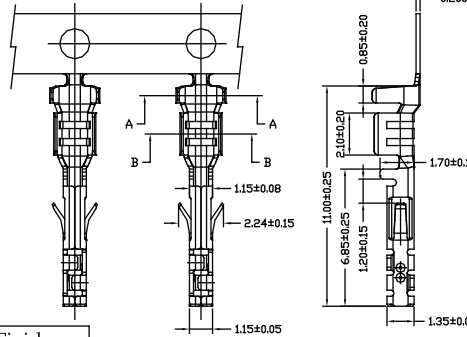
Housing: Nylon 66, UL94V-2  
 Wafer: LCP, UL94V-0  
 Terminal: Phosphor Bronze / Tin Plated



SEC:A-A



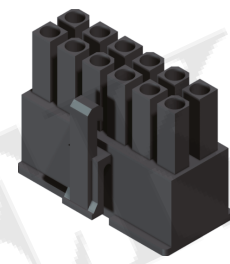
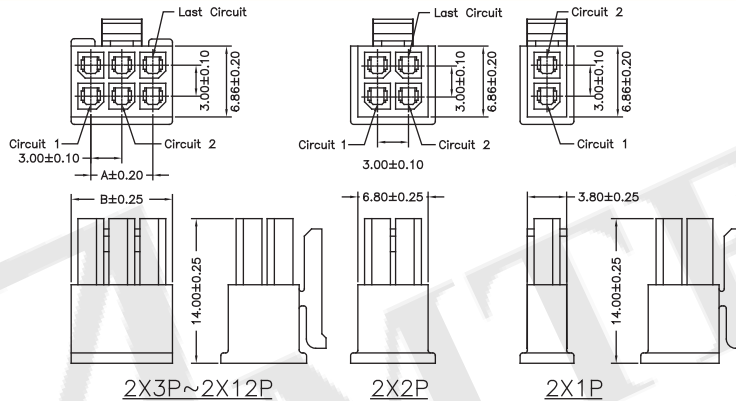
SEC:B-B



Wire Range	Insulation O.D.	Material	Finish
#20-#24	1.85mm(Max)	Phosphor Bronze	Tin Plated

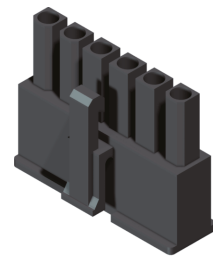
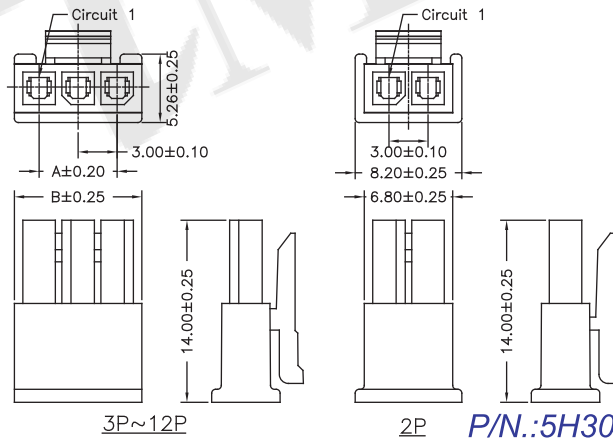
P/N.:5T3000F-PT0RA01

No. of Contacts	Dimensions	
	A	B
2x1	---	3.80
2x2	3.00	6.80
2x3	6.00	9.80
2x4	9.00	12.80
2x5	12.00	15.80
2x6	15.00	18.80
2x7	18.00	21.80
2x8	21.00	24.80
2x9	24.00	27.80
2x10	27.00	30.80
2x11	30.00	33.80
2x12	33.00	36.80



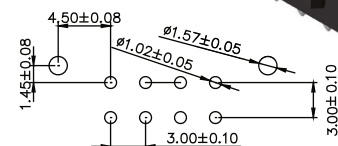
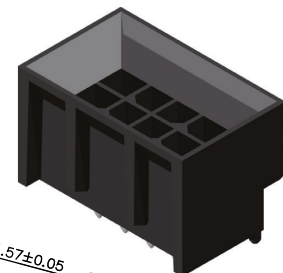
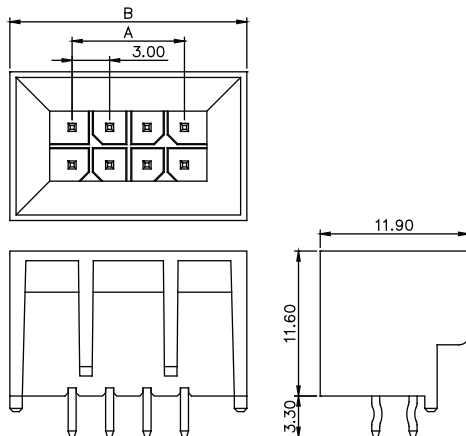
P/N.:5H3000F0-2XXBBL00A01

No. of Contacts	Dimensions	
	A	B
02	3.00	6.80
03	6.00	9.80
04	9.00	12.80
05	12.00	15.80
06	15.00	18.80
07	18.00	21.80
08	21.00	24.80
09	24.00	27.80
10	27.00	30.80
11	30.00	33.80
12	33.00	36.80



P/N.:5H3000F0-1XXBBL00A01

No. of Contacts	Dimensions	
	A	B
2x02	3.00	13.00
2x03	6.00	16.00
2x04	9.00	19.00
2x05	12.00	22.00
2x06	15.00	25.00
2x07	18.00	28.00
2x08	21.00	31.00
2x09	24.00	34.00
2x10	27.00	37.00
2x11	30.00	40.00
2x12	33.00	43.00



Recommended PCB Layout  
(PCB TOLERANCE ±0.05)

P/N.:5W3000S1-2XXXXBUI01

Housing Wafer Terminal



RoHS

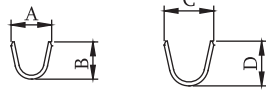
## 3.0mm 3000 Series Male Terminal / Female Housing / Wafer Straight Type

### Specifications

Current Rating: 5A AC,DC  
 Voltage Rating: 250V AC,DC  
 Temperature Range: -25°C to +85°C  
 Contact Resistance: 10mΩ Max  
 Insulation Resistance: 1000MΩ Min  
 Withstanding Voltage: 1500V AC/minute

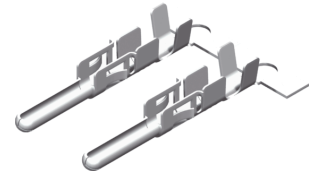
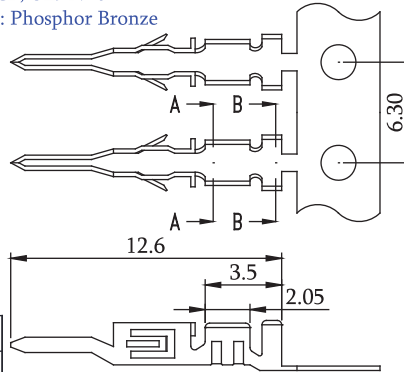
### Material

Housing: Nylon 66, UL94V-2  
 Wafer: LCP, UL94V-0  
 Terminal: Phosphor Bronze



SECTION A-A

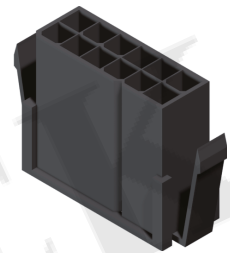
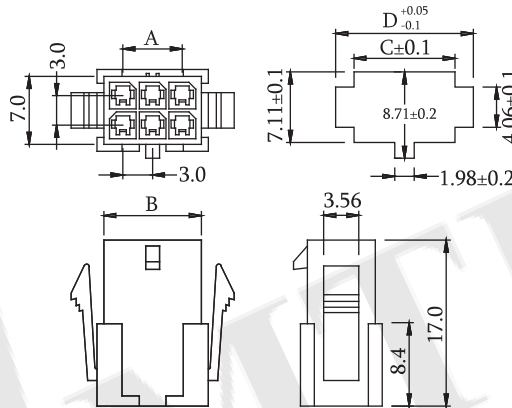
SECTION B-B



Part No.	Dimensions				Wire Range	Material	Finish
	A	B	C	D			
5T3000M-PXXRC01	2.1	2.1	2.7	2.4	AWG#20-#24	Phosphor Bronze	Tin Plated Gold Plated Selective Plated
5T3000M-PXXRC02	1.8	1.6	2.4	1.9	AWG#26-#30	Phosphor Bronze	Tin Plated Gold Plated Selective Plated

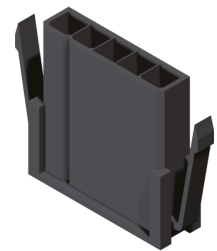
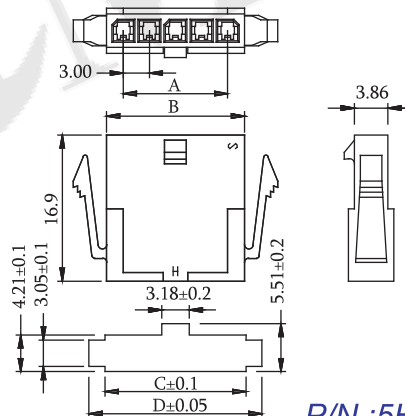
P/N.:5T3000M-PXXRC0X

No. of Contacts	Dimensions			
	A	B	C	D
2x01	---	4.00	4.21	7.90
2x02	3.00	7.00	7.21	10.90
2x03	6.00	10.00	10.21	13.89
2x04	9.00	13.00	13.21	16.89
2x05	12.00	16.00	16.21	19.89
2x06	15.00	19.00	19.21	22.89
2x07	18.00	22.00	22.20	25.88
2x08	21.00	25.00	25.20	28.88
2x09	24.00	28.00	28.20	31.88
2x10	27.00	31.00	31.22	34.87
2x11	30.00	34.00	34.22	37.87
2x12	33.00	37.00	37.22	40.87



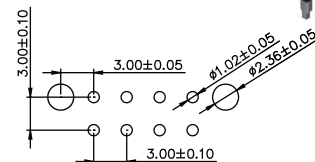
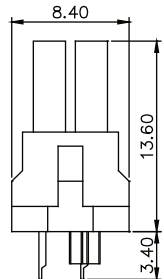
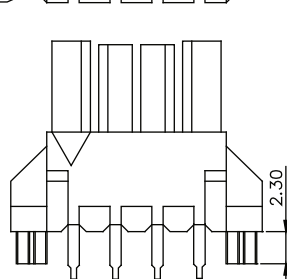
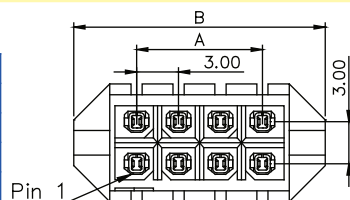
P/N.:5H3000M0-2XXBBL00C01

No. of Contacts	Dimensions			
	A	B	C	D
02	3.0±0.08	6.85	7.21	10.90
03	6.0±0.10	9.85	10.21	13.90
04	9.0±0.10	12.85	13.21	16.90
05	12.0±0.10	15.85	16.21	19.90
06	15.0±0.15	18.85	19.21	22.90
07	18.0±0.15	21.85	22.21	25.90
08	21.0±0.15	24.85	25.21	28.90
09	24.0±0.15	27.85	28.21	31.90
10	27.0±0.20	30.85	31.21	34.90
11	30.0±0.20	33.85	34.21	37.90
12	33.0±0.20	36.85	37.21	40.90



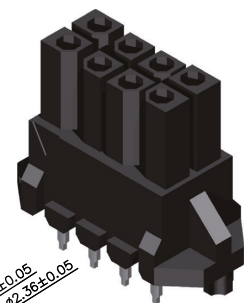
P/N.:5H3000M0-1XXBBL00C01

No. of Contacts	Dimensions	
	A	B
2x02	3.00	12.00
2x03	6.00	15.00
2x04	9.00	18.00
2x05	12.00	21.00
2x06	15.00	24.00
2x07	18.00	27.00
2x08	21.00	30.00
2x09	24.00	33.00
2x10	27.00	36.00
2x11	30.00	39.00
2x12	33.00	42.00



Recommended PCB Layout  
 (PCB TOLERANCE ±0.05)

P/N.:5W3000S2-2XXT0BBUI01





## 3.0mm 3000 Series Wafer SMT R/A Type 1 & 2 Row

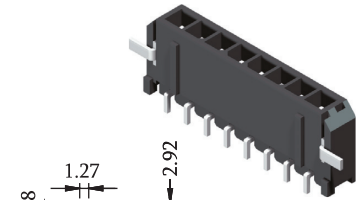
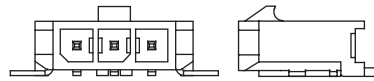
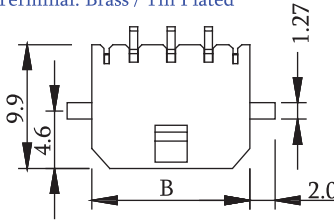
### Specifications

Current Rating: 5A AC,DC  
 Voltage Rating: 250V AC,DC  
 Temperature Range: -25°C to +105°C  
 Contact Resistance: 10mΩ Max  
 Insulation Resistance: 1000MΩ Min  
 Withstanding Voltage: 1500V AC/minute

### Material

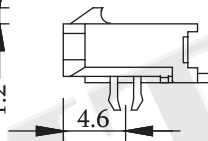
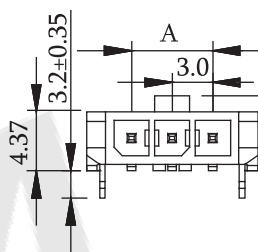
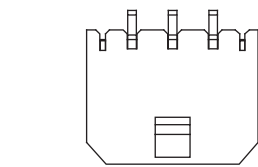
Wafer: Nylon 46, UL94V-0  
 Terminal: Brass / Tin Plated

No. of Contacts	Dimensions	
	A	B
02	3.00	9.65
03	6.00	12.65
04	9.00	15.65
05	12.00	18.65
06	15.00	21.65
07	18.00	24.65
08	21.00	27.65
09	24.00	30.65
10	27.00	33.65
11	30.00	36.65
12	33.00	39.65



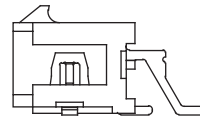
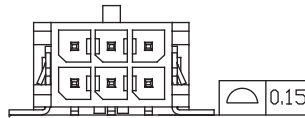
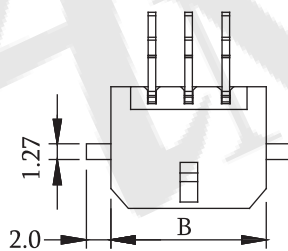
Recommended PCB Layout  
(PCB TOLERANCE ±0.05)

P/N.:5W3000H0-1XXTOXHUC01



Recommended PCB Layout  
(PCB TOLERANCE ±0.05)

P/N.:5W3000H1-1XXTOXHUC01

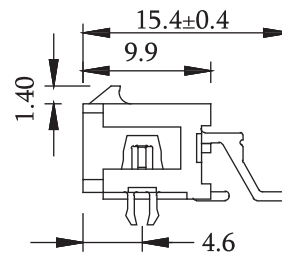
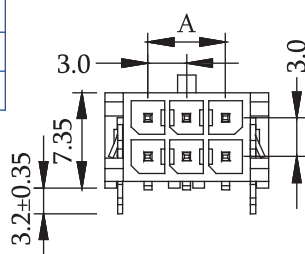
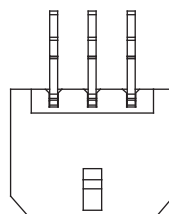


Recommended PCB Layout  
(PCB TOLERANCE ±0.05)

P/N.:5W3000H0-2XXXXBHUC01

T0: Tin Plated G0: Gold Plated

No. of Contacts	Dimensions	
	A	B
2×01	---	6.65
2×02	3.00	9.65
2×03	6.00	12.65
2×04	9.00	15.65
2×05	12.00	18.65
2×06	15.00	21.65
2×07	18.00	24.65
2×08	21.00	27.65
2×09	24.00	30.65
2×10	27.00	33.65
2×11	30.00	36.65
2×12	33.00	39.65



Recommended PCB Layout  
(PCB TOLERANCE ±0.05)

P/N.:5W3000H1-2XXXXBHUC01

T0: Tin Plated G0: Gold Plated

Housing Wafer Terminal



RoHS

## 3.0mm 3000 Series Wafer SMT Type 1 & 2 Row

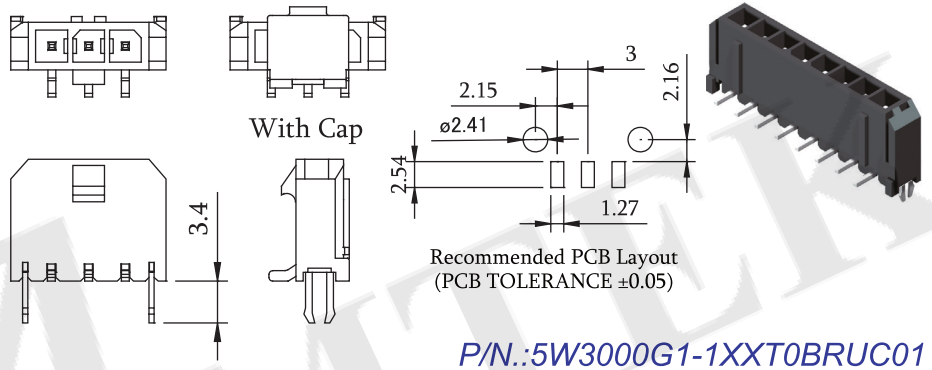
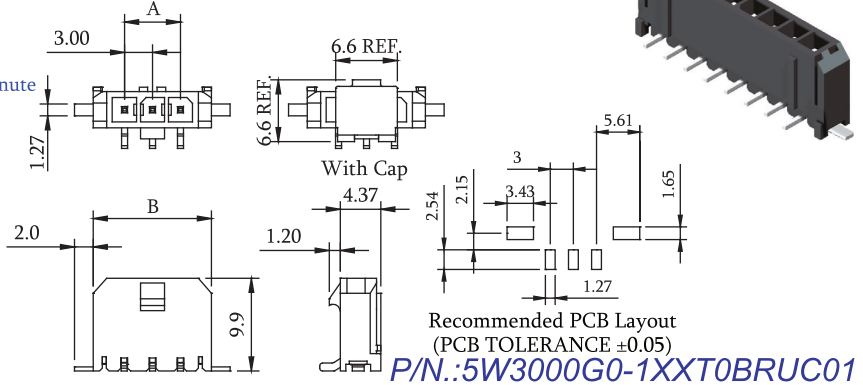
### Specifications

Current Rating: 5A AC,DC  
 Voltage Rating: 250V AC,DC  
 Temperature Range: -25°C to +105°C  
 Contact Resistance: 10mΩ Max  
 Insulation Resistance: 1000MΩ Min  
 Withstanding Voltage: 1500V AC/minute

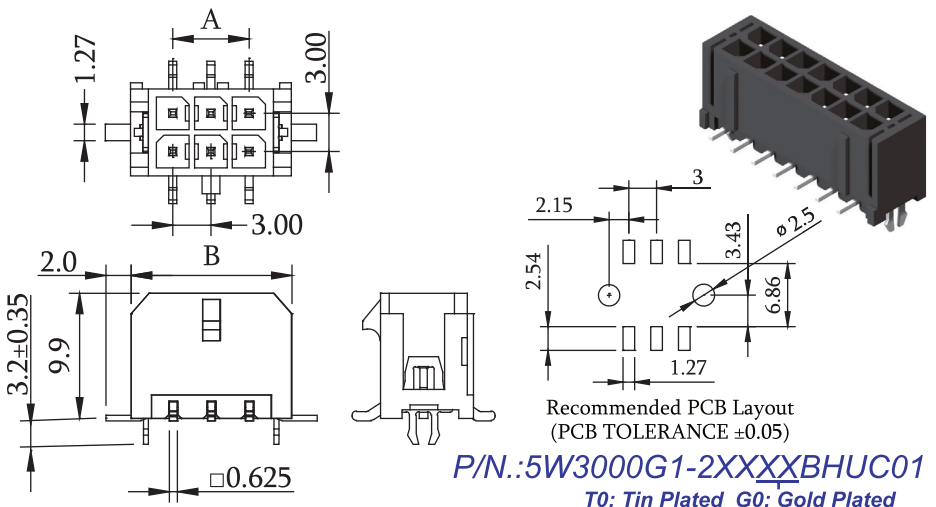
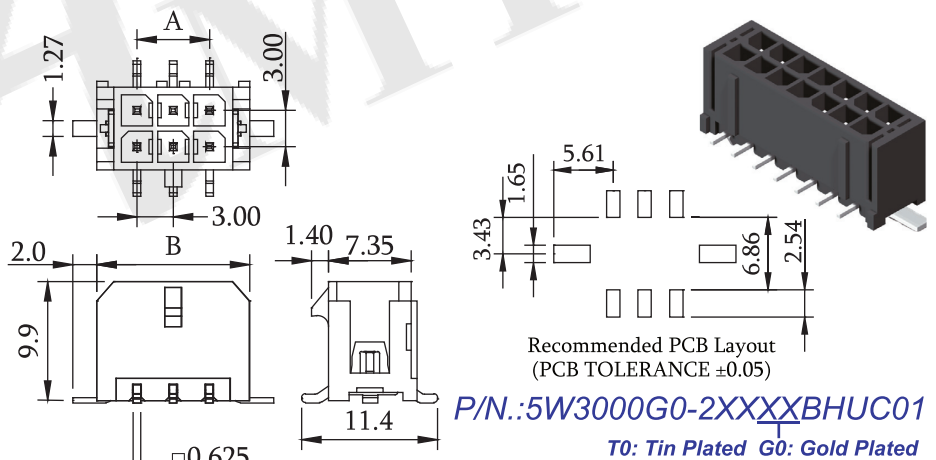
### Material

Wafer: Nylon 46, UL94V-0  
 Terminal: Brass / Tin Plated

No. of Contacts	Dimensions	
	A	B
02	3.00	9.65
03	6.00	12.65
04	9.00	15.65
05	12.00	18.65
06	15.00	21.65
07	18.00	24.65
08	21.00	27.65
09	24.00	30.65
10	27.00	33.65
11	30.00	36.65
12	33.00	39.65



No. of Contacts	Dimensions	
	A	B
2×01	---	6.65
2×02	3.00	9.65
2×03	6.00	12.65
2×04	9.00	15.65
2×05	12.00	18.65
2×06	15.00	21.65
2×07	18.00	24.65
2×08	21.00	27.65
2×09	24.00	30.65
2×10	27.00	33.65
2×11	30.00	36.65
2×12	33.00	39.65





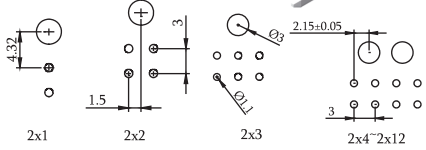
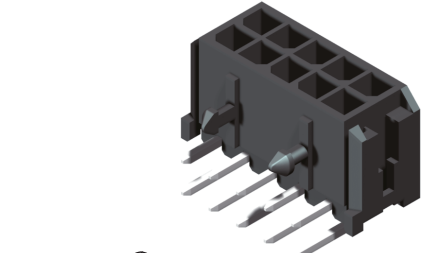
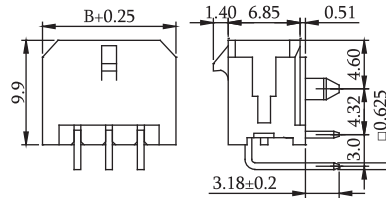
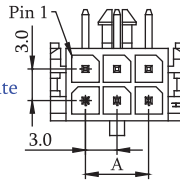
## 3.0mm 3000 Series Wafer Right Angle / Straight Type

### Specifications

Current Rating: 5A AC,DC  
 Voltage Rating: 250V AC,DC  
 Temperature Range: -25°C to +85°C  
 Contact Resistance: 10mΩ Max  
 Insulation Resistance: 1000MΩ Min  
 Withstanding Voltage: 1500V AC/minute

### Material

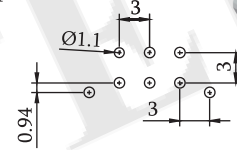
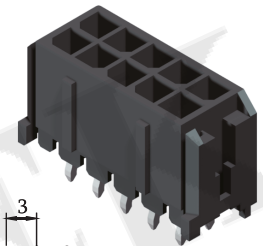
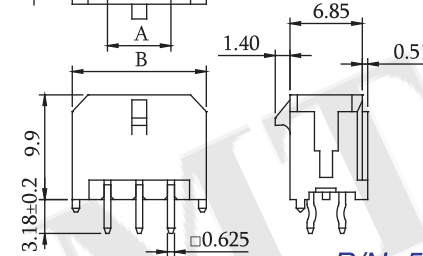
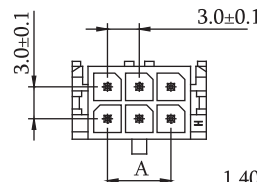
Wafer: LCP, UL94V-0  
 Terminal: Brass / Tin Plated



Recommended PCB Layout  
(PCB TOLERANCE ±0.1)

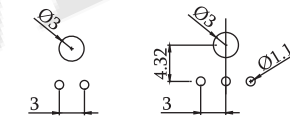
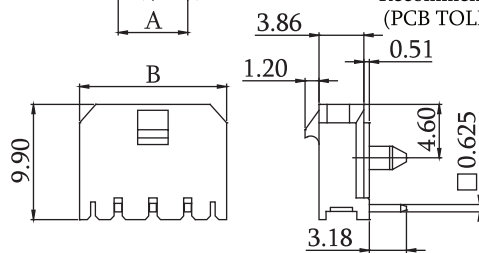
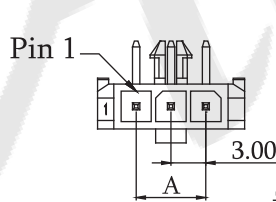
P/N.:5W3000R0-2XXT0BXUC01

No. of Contactss	Dimensions	
	A	B
2×01	- - -	6.65
2×02	3.00	9.65
2×03	6.00	12.65
2×04	9.00	15.65
2×05	12.00	18.65
2×06	15.00	21.65
2×07	18.00	24.65
2×08	21.00	27.65
2×09	24.00	30.65
2×10	27.00	33.65
2×11	30.00	36.65
2×12	33.00	39.65

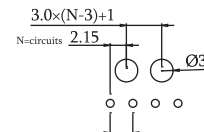


Recommended PCB Layout  
(PCB TOLERANCE ±0.1)

P/N.:5W3000S0-2XXT0BXUC01



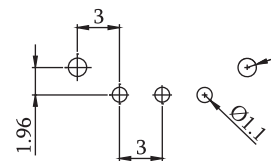
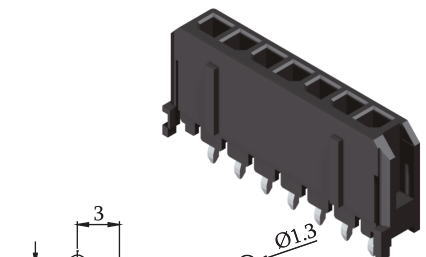
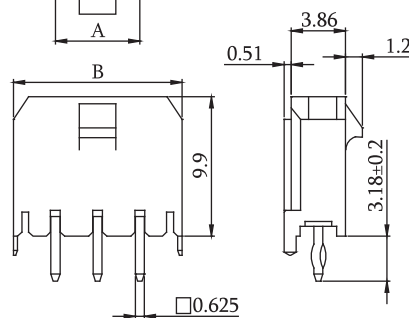
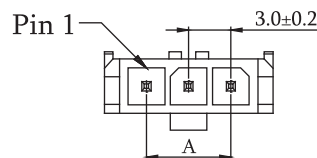
Recommended PCB Layout  
(PCB TOLERANCE ±0.05)



Recommended PCB Layout  
(PCB TOLERANCE ±0.05)

P/N.:5W3000R0-1XXT0BBUC01

No. of Contacts	Dimensions	
	A	B
02	3.00	9.65
03	6.00	12.65
04	9.00	15.65
05	12.00	18.65
06	15.00	21.65
07	18.00	24.65
08	21.00	27.65
09	24.00	30.65
10	27.00	33.65
11	30.00	36.65
12	33.00	39.65



Recommended PCB Layout  
(PCB TOLERANCE ±0.05)

P/N.:5W3000S0-1XXT0BBUC01

Housing Wafer Terminal



RoHS

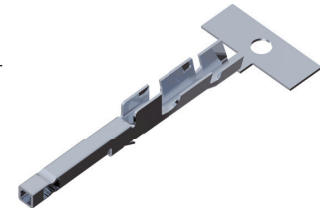
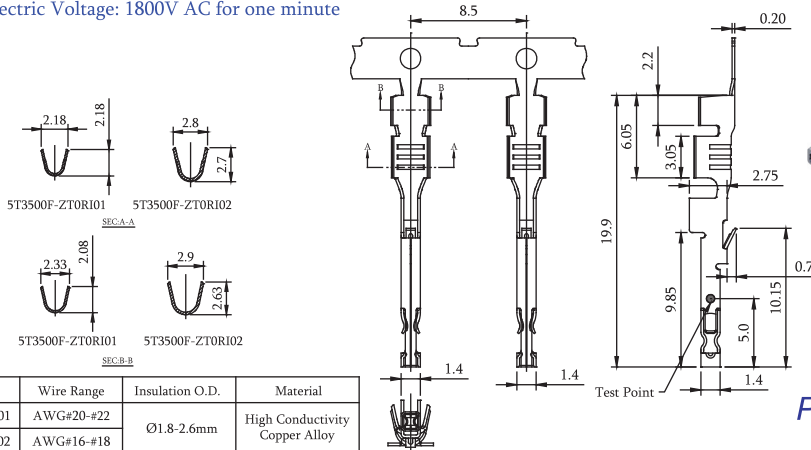
## 3.5mm 3500 Series Female Terminal / Housing

### Specifications

Operation Temperature: -40°C to +105°C  
 Insulation Resistance: 1000MΩ Min.  
 Dielectric Voltage: 1800V AC for one minute

### Material

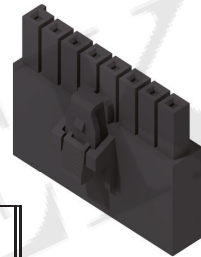
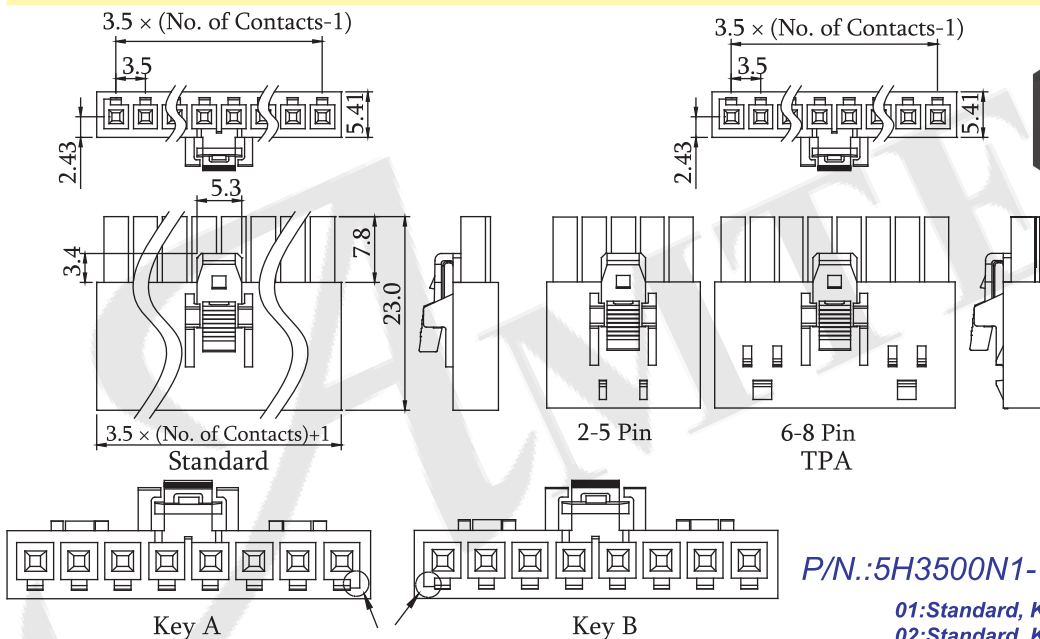
Housing: Nylon 4T, UL94V-0  
 Terminal: Brass / Tin Plated



P/N	Wire Range	Insulation O.D.	Material
5T3500F-ZTORI01	AWG#20-#22	Ø1.8-2.6mm	High Conductivity Copper Alloy
5T3500F-ZTORI02	AWG#16-#18		

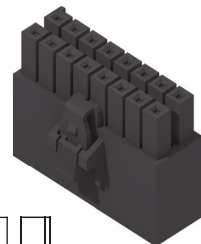
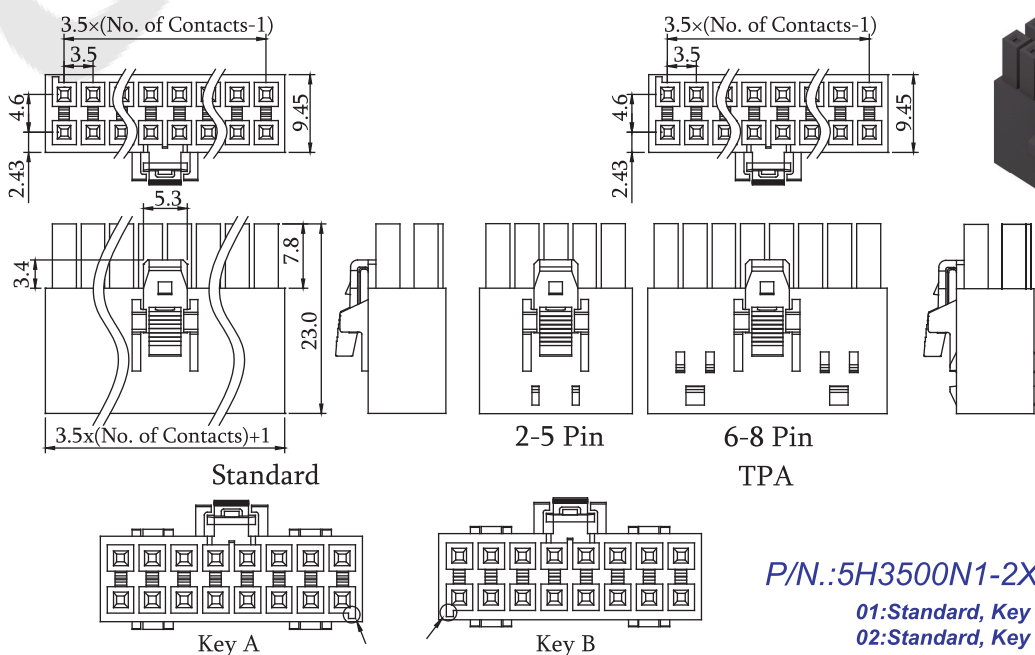
P/N.:5T3500F-ZTORIXX

See Table



P/N.:5H3500N1-1XXXBU00IXX

01:Standard, Key A 03:TPA, Key A  
 02:Standard, Key B 04:TPA, Key B



P/N.:5H3500N1-2XXXBU00IXX

01:Standard, Key A 03:TPA, Key A  
 02:Standard, Key B 04:TPA, Key B

# CONNECTORS MANUFACTURER



Housing Wafer Terminal

ROHS

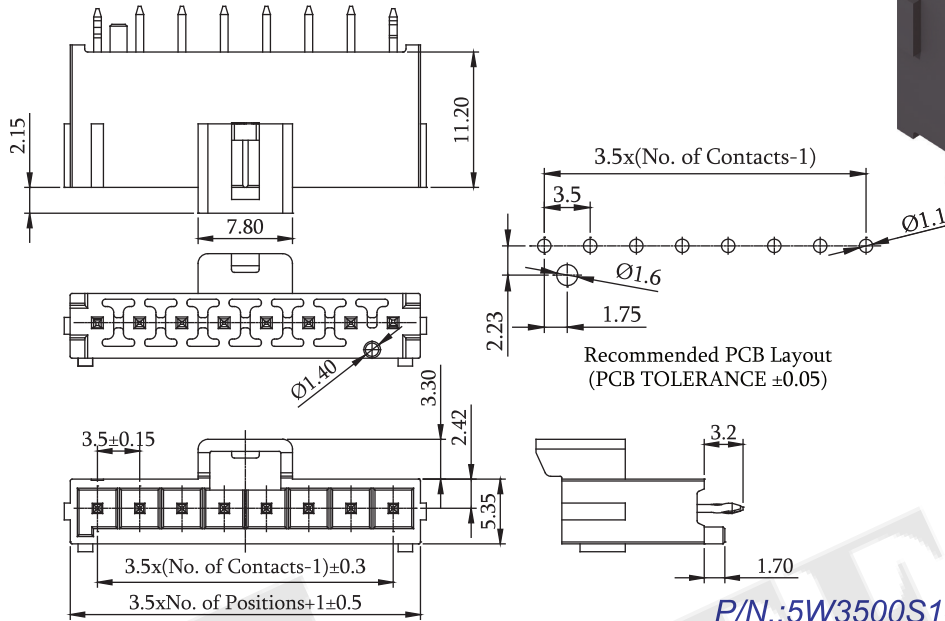
## 3.5mm 3500 Series Wafer Straight Type

### Specifications

Current Rating: 14 AMP  
 Contact Resistance: 10mΩ Max.  
 Operation Temperature: -40°C to +105°C  
 Dielectric Voltage: 1800V AC/minute

### Material

Wafer: LCP, UL94V-0  
 Terminal: Brass



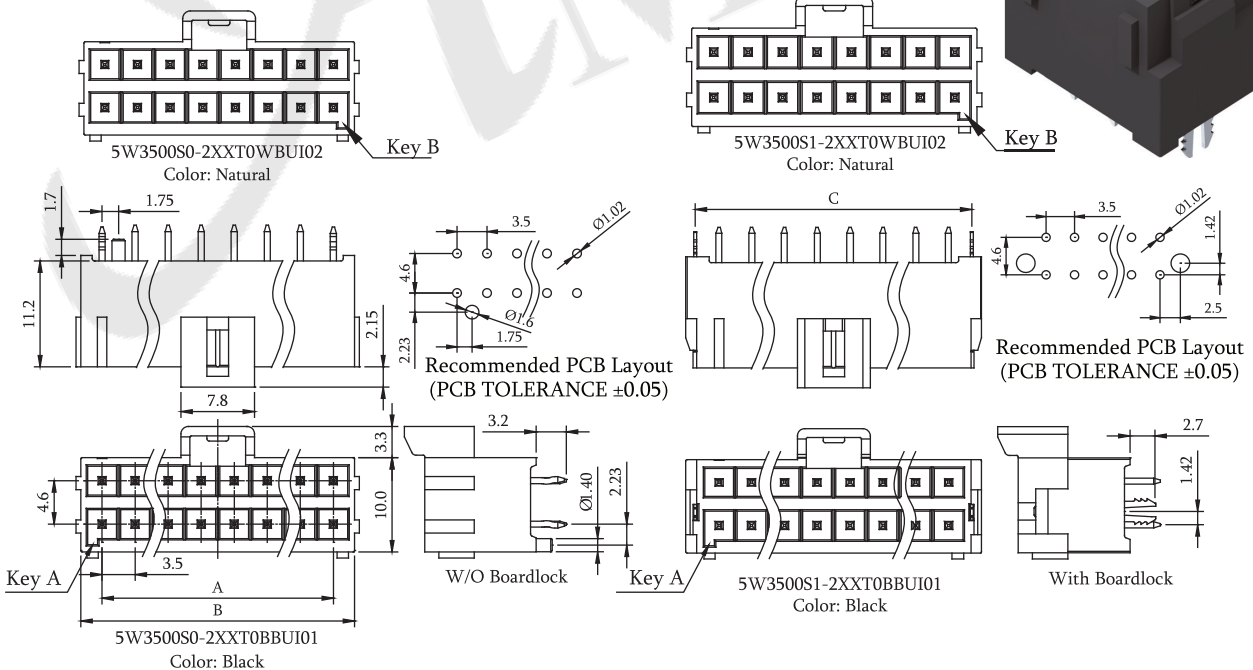
P/N.:5W3500S1-1XXT0BBUI01

### Specifications

Current Rating: 8 AMP  
 Contact Resistance: 10mΩ Max.  
 Operation Temperature: -40°C to +105°C  
 Dielectric Voltage: 1800V AC for one minute

### Material

Wafer: LCP, UL94V-0  
 Terminal: Brass



No. of Contacts	Dimensions(mm)			No. of Contacts	Dimensions(mm)		
	A	B	C		A	B	C
2×02	3.5	10.6	8.5	2×06	17.5	24.6	22.5
2×03	7.0	14.1	12.0	2×07	21.0	28.1	26.0
2×04	10.5	17.6	15.5	2×08	24.5	31.6	29.5
2×05	14.0	21.1	19.0				

P/N.:5W3500SX-2XXT0XBUIXX

0:W/O Boardlock      See Drawing  
 1:With Boardlock



## 3.96mm 3960 Series Housing IDC Type & Cover

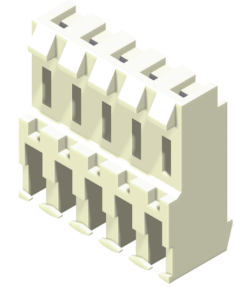
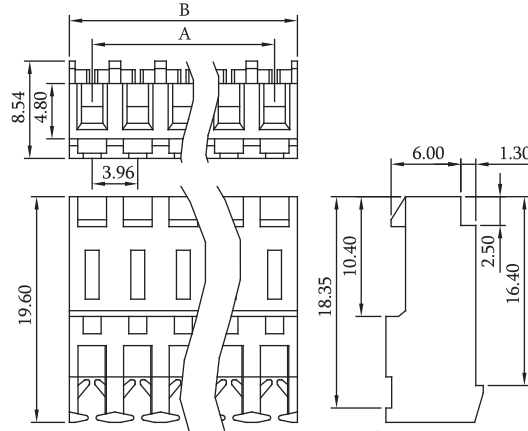
### Specifications

Current Rating: 5A AC,DC  
Voltage Rating: 250V AC,DC  
Temperature Range: -25°C to +85°C  
Contact Resistance: 10mΩ Max  
Insulation Resistance: 1000MΩ Min  
Withstanding Voltage: 1500V AC/minute

### Material

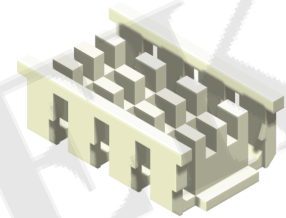
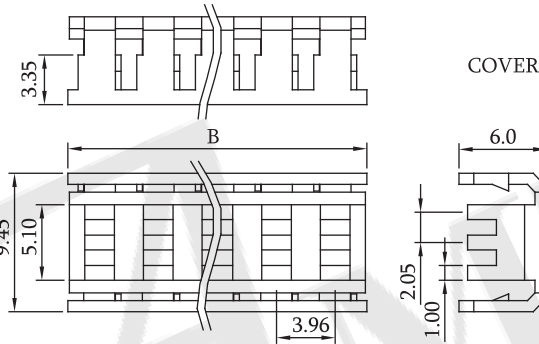
Housing/Wafer: Nylon 66,UL94V-2  
Terminal: Brass / Tin or Gold Plated

No. of Contacts	Dimensions		No. of Contacts	Dimensions	
	A	B		A	B
02	3.96	7.92	14	51.48	55.44
03	7.92	11.88	15	55.44	59.40
04	11.88	15.84	16	59.40	63.36
05	15.84	19.80	17	63.36	67.32
06	19.80	23.76	18	67.32	71.28
07	23.76	27.72	19	71.28	75.24
08	27.72	31.68	20	75.24	79.20
09	31.68	35.64	21	79.20	83.16
10	35.64	39.60	22	83.16	87.12
11	39.60	43.56	23	87.12	91.08
12	43.56	47.52	24	91.08	95.04
13	47.52	51.48	25	95.04	99.00



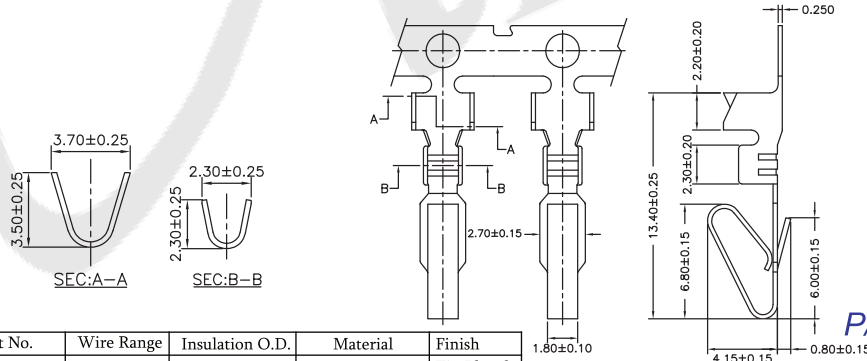
P/N.:5W3960DX-1XXT0WBLH01

A:18 AWG B:20 AWG C:22 AWG D:24 AWG E:26 AWG



P/N.:5H3960D0-1XXWBL00H01

## 3.96mm 3961 Series Terminal / Housing

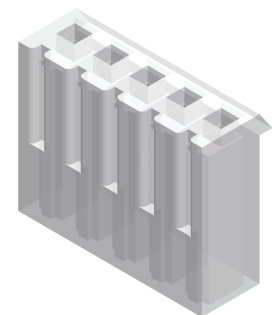
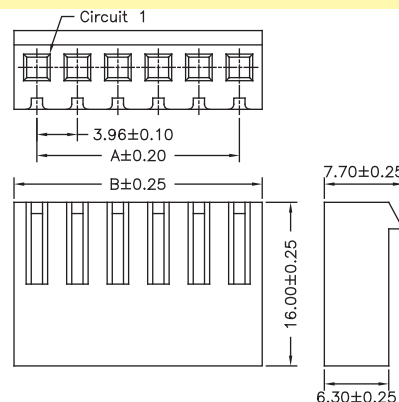


P/N.:5T3961N-BXXRA01

T0: Tin plated  
G0: Gold plated

Part No.	Wire Range	Insulation O.D.	Material	Finish
5T3961N-BT0	#18-#24	2.80mm(Max)	Brass	Tin Plated
5T3961N-BG0				Gold Plated

No. of Contacts	Dimensions		No. of Contacts	Dimensions	
	A	B		A	B
02	3.96	8.43	12	43.56	48.03
03	7.92	12.39	13	47.52	51.99
04	11.88	16.35	14	51.48	55.95
05	15.84	20.31	15	55.44	59.91
06	19.80	24.27	16	59.40	63.87
07	23.76	28.23	17	63.36	67.83
08	27.72	32.19	18	67.32	71.79
09	31.68	36.15	19	71.28	75.75
10	35.64	40.11	20	75.24	79.71
11	39.60	44.07			



P/N.:5H3961N0-1XXWBL00A01



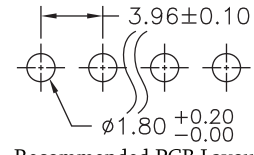
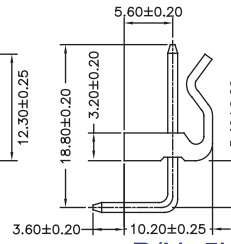
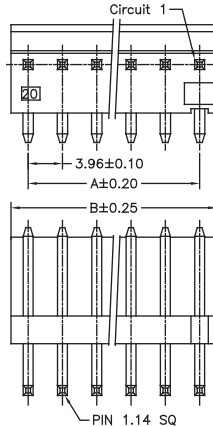
## 3.96mm 3961 Series Wafer Right Angle / Straight Type

### Specifications

Current Rating: 7A AC,DC  
 Voltage Rating: 250V AC,DC  
 Temperature Range: -25°C to +85°C  
 Contact Resistance: 10mΩ Max  
 Insulation Resistance: 1000MΩ Min  
 Withstanding Voltage: 1500V AC/minute

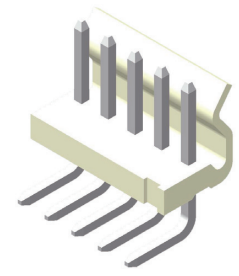
### Material

Wafer: Nylon 66,UL94V-2  
 Terminal: Brass / Tin Plated

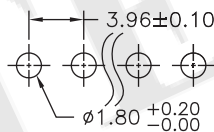
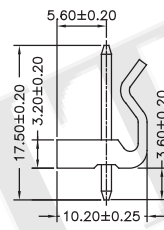
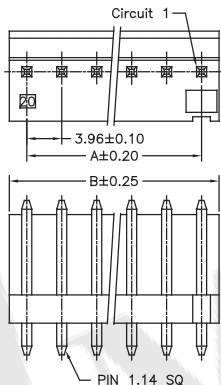


Recommended PCB Layout  
 (PCB TOLERANCE ±0.05)

P/N.:5W3961R0-1XXT0WBLA01

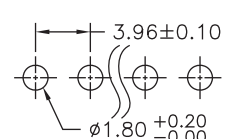
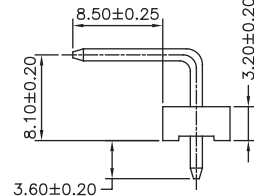
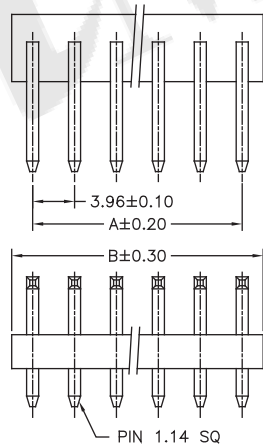
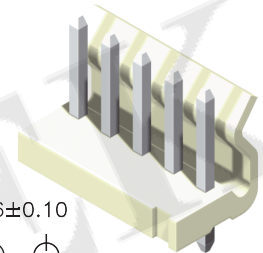


No. of Contacts	Dimensions	
	A	B
02	3.96	7.92
03	7.92	11.88
04	11.88	15.84
05	15.84	19.80
06	19.80	23.76
07	23.76	27.72
08	27.72	31.68
09	31.68	35.64
10	35.64	39.60
11	39.60	43.56
12	43.56	47.52
13	47.52	51.48
14	51.48	55.44
15	55.44	59.40
16	59.40	63.36
17	63.36	67.32
18	67.32	71.28
19	71.28	75.24
20	75.24	79.20



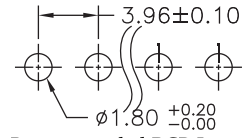
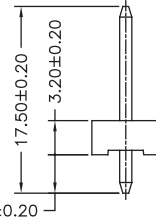
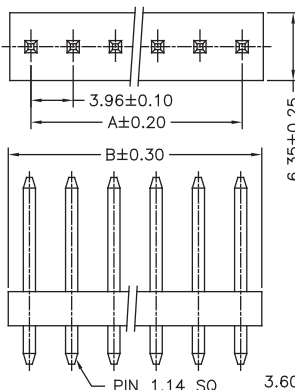
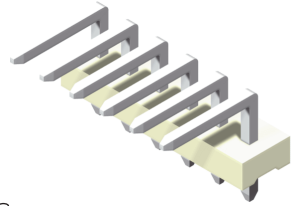
Recommended PCB Layout  
 (PCB TOLERANCE ±0.05)

P/N.:5W3961S0-1XXT0WBLA01



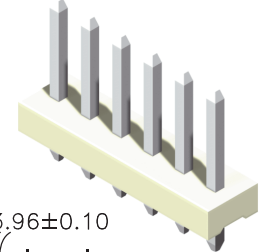
Recommended PCB Layout  
 (PCB TOLERANCE ±0.05)

P/N.:5W3961R1-1XXT0WBLA01



Recommended PCB Layout  
 (PCB TOLERANCE ±0.05)

P/N.:5W3961S1-1XXT0WBLA01



Housing Wafer Terminal



RoHS

AMTEK CONNECTORS MANUFACTURER

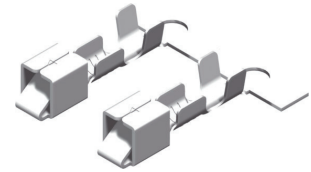
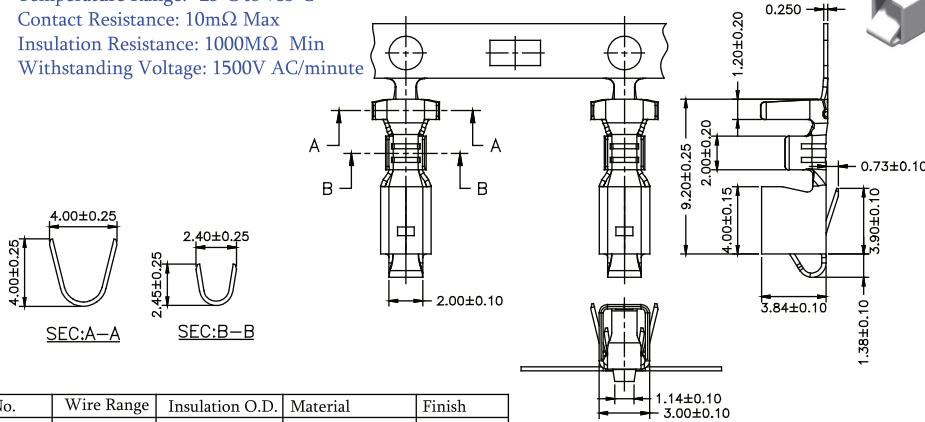
## 3.96mm 3962 Series Terminal / Housing / Wafer Right Angle & Straight Type

### Specifications

Current Rating: 7A AC,DC  
 Voltage Rating: 250V AC,DC  
 Temperature Range: -25°C to +85°C  
 Contact Resistance: 10mΩ Max  
 Insulation Resistance: 1000MΩ Min  
 Withstanding Voltage: 1500V AC/minute

### Specifications

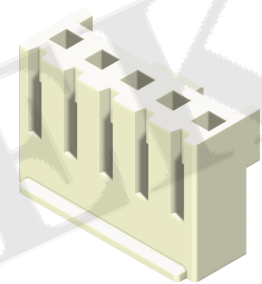
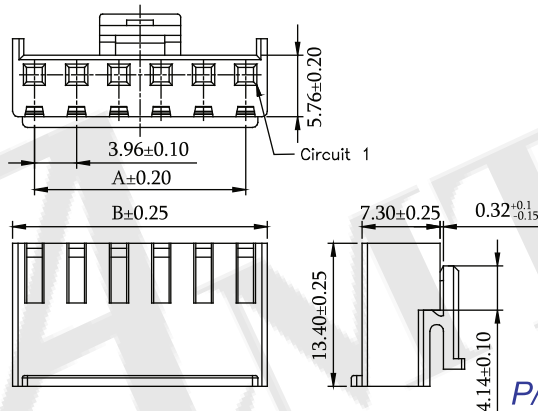
Housing/Wafer: Nylon 66,UL94V-0  
 Terminal: Brass / Tin Plated



Part No.	Wire Range	Insulation O.D.	Material	Finish
5T3962N-BT0	#18-#22	3.00mm(Max)	Brass	Tin Plated
5T3962N-PT0			Phosphor Bronze	Tin Plated
5T3962N-PG0				Gold Plated

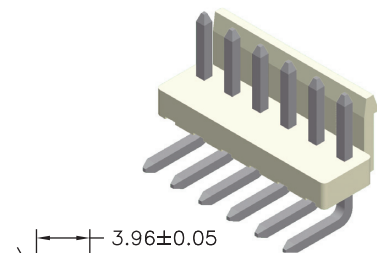
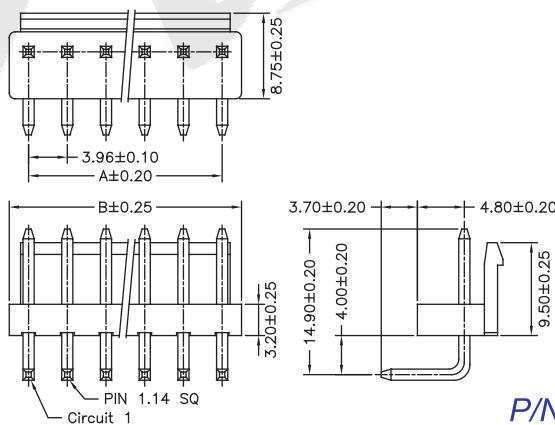
P/N.:5T3962N-XXXRA01

No. of Contacts	Dimensions	
	A	B
02	3.96	8.02
03	7.92	11.98
04	11.88	15.94
05	15.84	19.90
06	19.80	23.86
07	23.76	27.82
08	27.72	31.78
09	31.68	35.74
10	35.64	39.70
11	39.60	43.66
12	43.56	47.62
13	47.52	51.58
14	51.48	55.54
15	55.44	59.50



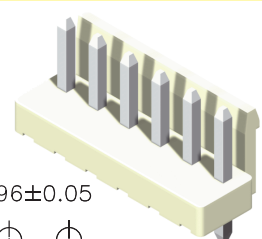
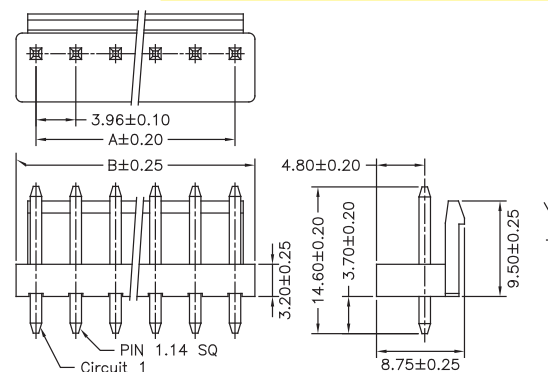
P/N.:5H3962N0-1XXWBL00A01

No. of Contacts	Dimensions	
	A	B
02	3.96	7.92
03	7.92	11.88
04	11.88	15.84
05	15.84	19.80
06	19.80	23.76
07	23.76	27.72
08	27.72	31.68
09	31.68	35.64
10	35.64	39.60
11	39.60	43.56
12	43.56	47.52
13	47.52	51.48
14	51.48	55.44
15	55.44	59.40



Recommended PCB Layout  
 (PCB TOLERANCE ±0.05)

P/N.:5W3962R0-1XXT0WBLA01



Recommended PCB Layout  
 (PCB TOLERANCE ±0.05)

P/N.:5W3962S0-1XXT0WBLA01



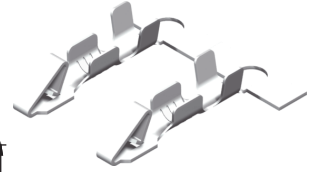
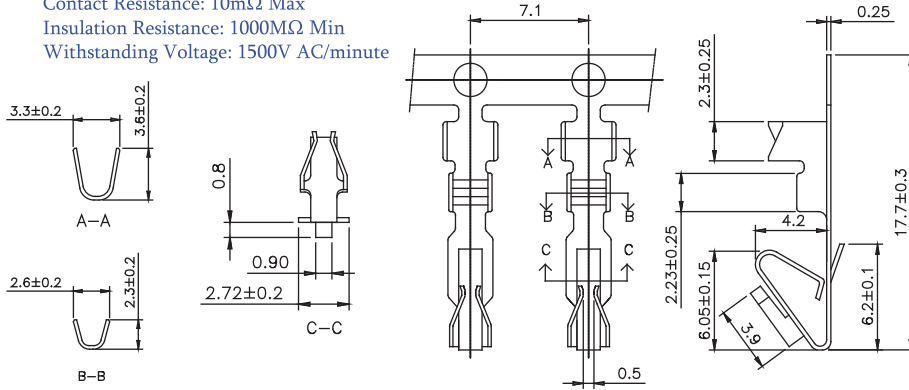
## 3.96mm 3963 Series Terminal / Housing / Wafer Straight Type

### Specifications

Current Rating: 5A AC,DC  
 Voltage Rating: 250V AC,DC  
 Temperature Range: -25°C to +85°C  
 Contact Resistance: 10mΩ Max  
 Insulation Resistance: 1000MΩ Min  
 Withstanding Voltage: 1500V AC/minute

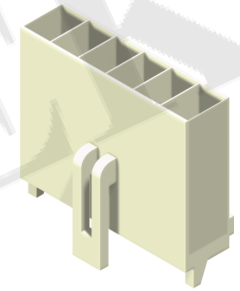
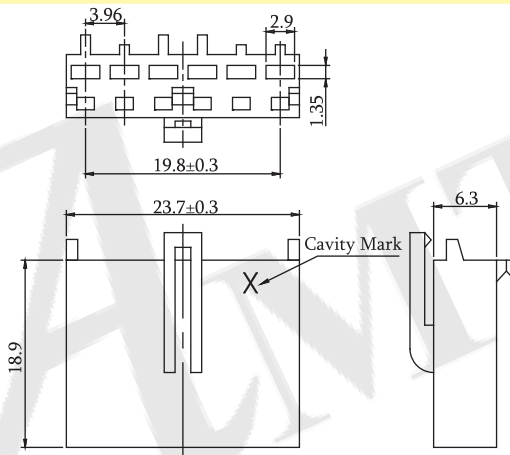
### Material

Housing/Wafer: Nylon 66, UL94V-2  
 Terminal: Copper Alloy / Tin Plated

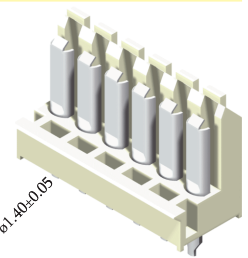
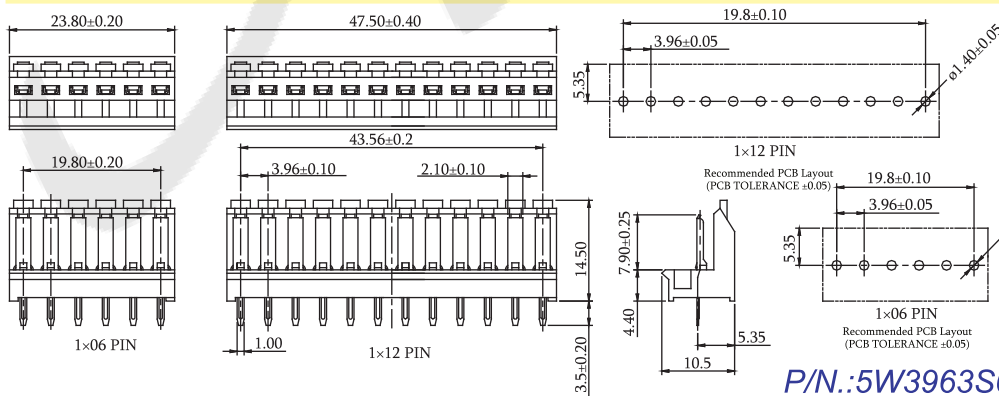


Wire Range	Insulation O.D.	Material	Finish
#18-#24	2.80mm(Max)	Brass	Tin Plated

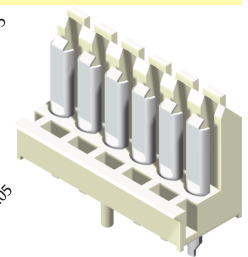
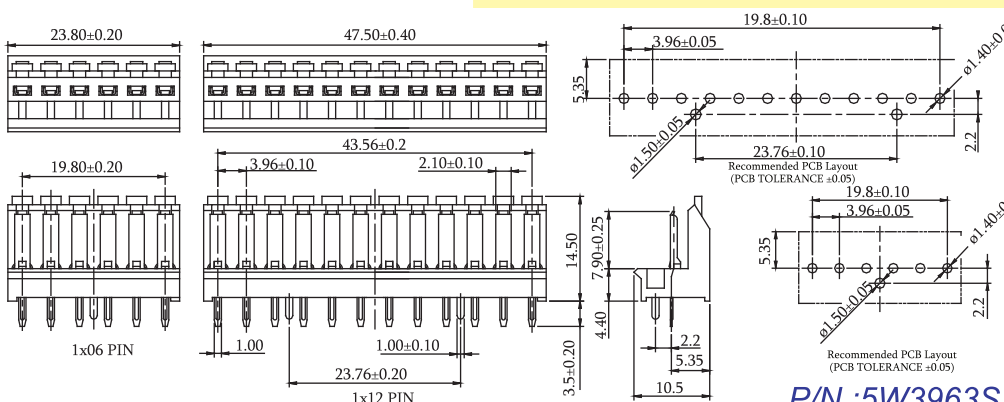
P/N.:5T3963N-BT0RF01



P/N.:5H3963N0-106WBL00F01



P/N.:5W3963S0-1XXT0WALF01



P/N.:5W3963S1-1XXT0WALF01

Housing Wafer Terminal



RoHS

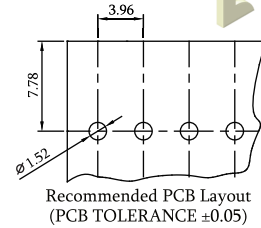
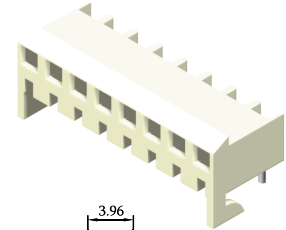
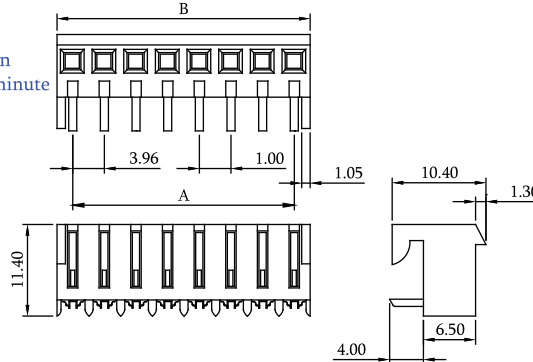
## 3.96mm 3964 Series Wafer Right Angle & Straight Type

### Specifications

Current Rating: 7A AC,DC  
 Voltage Rating: 250V AC,DC  
 Temperature Range: -25°C to +85°C  
 Contact Resistance: 10mΩ Max  
 Insulation Resistance: 1000MΩ Min  
 Withstanding Voltage: 1500V AC/minute

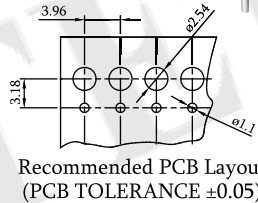
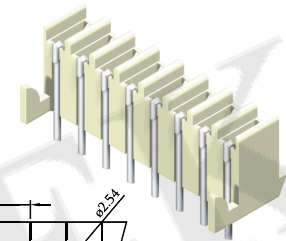
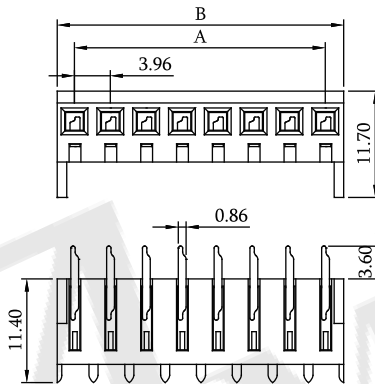
### Material

Wafer: Nylon 66,UL94V-2  
 Terminal: Copper Alloy / Tin Plated

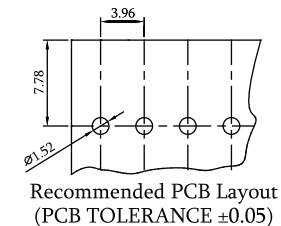
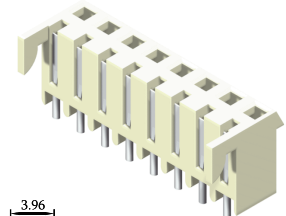
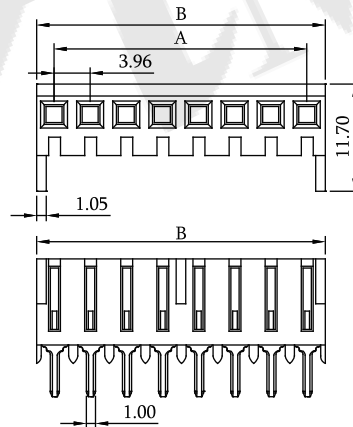


P/N.:5W3964R0-1XXT0WALH01

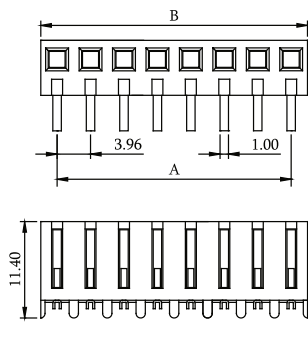
No. of Contacts	Dimensions	
	A	B
02	3.96	7.82
03	7.92	11.78
04	11.88	15.74
05	15.84	19.70
06	19.80	23.66
07	23.76	27.62
08	27.72	31.58
09	31.68	35.54
10	35.64	39.50
11	39.60	43.46
12	43.56	47.42
13	47.52	51.38
14	51.48	55.34
15	55.44	59.30
16	59.40	63.26
17	63.36	67.22
18	67.32	71.18
19	71.28	75.14
20	75.24	79.10
21	79.20	83.06
22	83.16	87.02
23	87.12	90.98
24	91.08	94.94
25	95.04	98.90



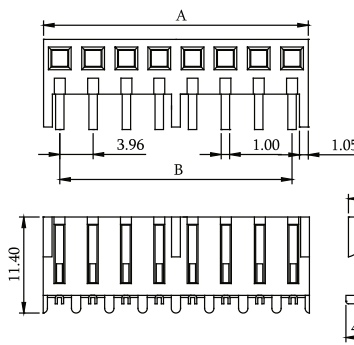
P/N.:5W3964S1-1XXT0WALH01



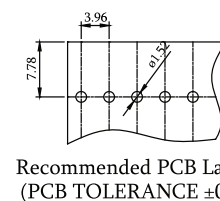
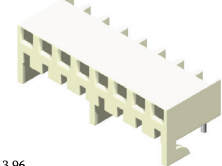
P/N.:5W3964S2-1XXT0WALH01



5W3964R3-1



5W3964R4-1



P/N.:5W3964RX-1XXT0WALH01

3:D Type  
4:E Type

## 3.96mm 3965 Series Wafer Right Angle & Straight Type

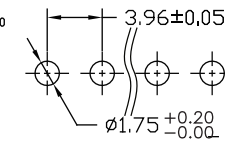
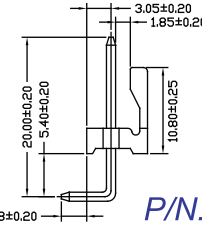
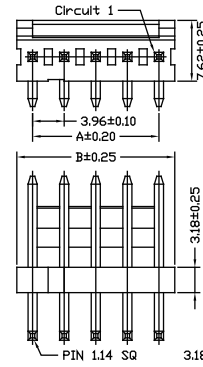
### Specifications

Current Rating: 7A AC,DC  
Voltage Rating: 600V AC,DC  
Temperature Range: -25°C to +85°C  
Contact Resistance: 3mΩ Max  
Insulation Resistance: 5000MΩ Min  
Withstanding Voltage: 2200V AC/minute

### Material

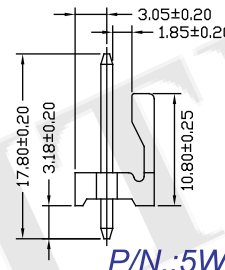
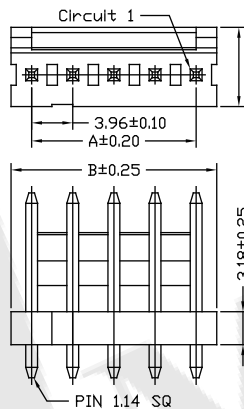
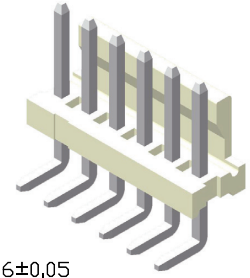
Wafer: Nylon 66,UL94V-0  
Terminal: Brass / Tin Plated

No. of Contacts	Dimensions	
	A	B
02	3.96	7.92
03	7.92	11.88
04	11.88	15.84
05	15.84	19.80
06	19.80	23.76
07	23.76	27.72
08	27.72	31.68
09	31.68	35.64
10	35.64	39.60
11	39.60	43.56
12	43.56	47.52
13	47.52	51.48
14	51.48	55.44
15	55.44	59.40
16	59.40	63.36
17	63.36	67.32
18	67.32	71.28
19	71.28	75.24
20	75.24	79.20



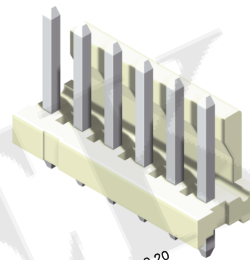
Recommended PCB Layout  
(PCB TOLERANCE ±0.05)

P/N.:5W3965R0-1XXT0WBLA01



Recommended PCB Layout  
(PCB TOLERANCE ±0.05)

P/N.:5W3965S0-1XXT0WBLA01



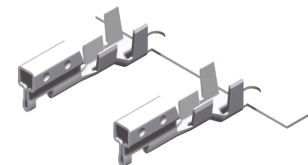
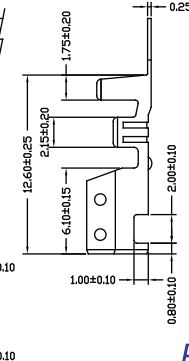
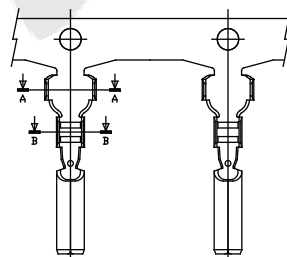
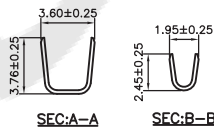
## 3.96mm 3966 Series Terminal / Housing

### Specifications

Current Rating: 7A AC,DC  
Voltage Rating: 250V AC,DC  
Temperature Range: -25°C to +85°C  
Contact Resistance: 10mΩ Max  
Insulation Resistance: 1000MΩ Min  
Withstanding Voltage: 1500V AC/minute

### Material

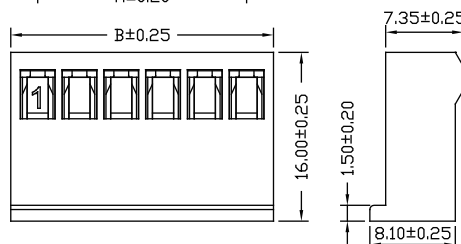
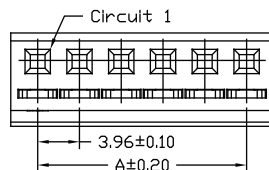
Housing: Nylon 66, UL94V-2  
Terminal: Brass / Tin Plated



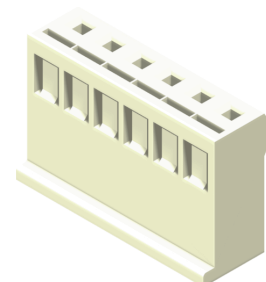
Wire Range	Insulation O.D.	Material	Finish
#18-#24	3.20mm(Max)	Brass	Tin Plated

P/N.:5T3966N-BT0RA01

No. of Contacts	Dimensions	
	A	B
02	3.96	9.06
03	7.92	13.02
04	11.88	16.98
05	15.84	20.94
06	19.80	24.90
07	23.76	28.86
08	27.72	32.82
09	31.68	36.78
10	35.64	40.74
11	39.60	44.70
12	43.56	48.66



P/N.:5H3966N0-1XXWBL00A01



# CONNECTORS MANUFACTURER

Old P/N.:3000 Series

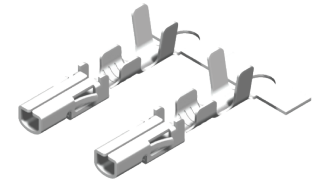
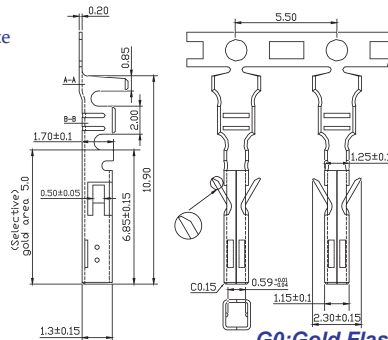
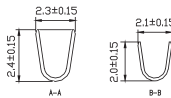
## 3.0mm 3000 Series Female Terminal / Male Housing / Wafer Straight Type

### Specifications

Current Rating: 5A AC, DC  
 Voltage Rating: 250V AC, DC  
 Temperature Range: -25°C to +85°C  
 Contact Resistance:  $\leq 10\text{m}\Omega$  Max  
 Withstanding Voltage: 1000V AC/minute  
 Insulation resistance:  $\geq 1000\text{m}\Omega$  Min  
 After environmental testing:  $\leq 20\text{m}\Omega$

### Material

Material: Nylon 66, UL 94V-0

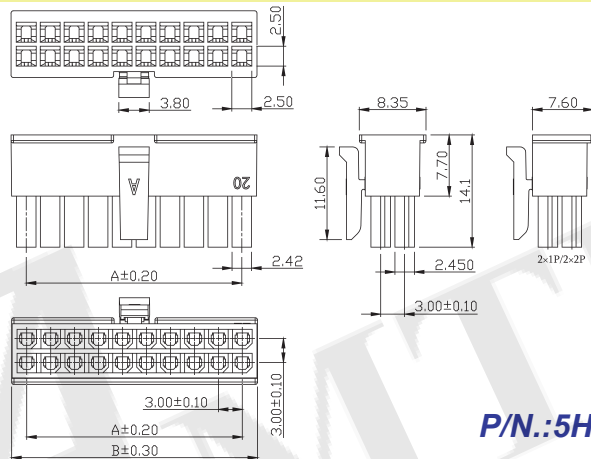


Wire Range	Insulation O.D.	Material
#20-#24	1.6mm(Max)	Phosphor Bronze

P/N.:5T3000F-PXXR\*01

G0:Gold Flash SF:Selective 15u" T0:Tin Plated  Optional

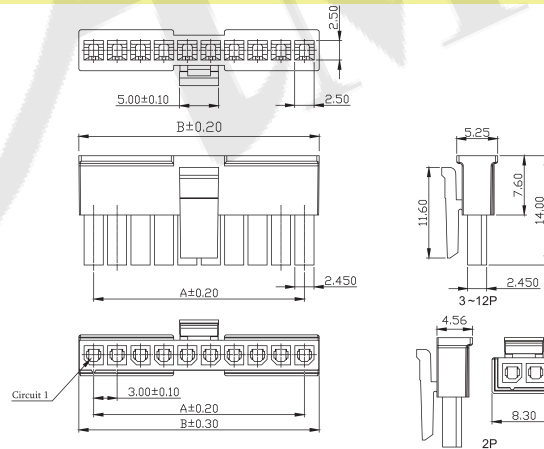
No. of Contacts	Dimensions	
	A	B
2x1	---	4.00
2x2	3.00	7.00
2x3	6.00	10.00
2x4	9.00	13.00
2x5	12.00	16.00
2x6	15.00	19.00
2x7	18.00	22.00
2x8	21.00	25.00
2x9	24.00	28.00
2x10	27.00	31.00
2x11	30.00	34.00
2x12	33.00	37.00



P/N.:5H3000F0-2XXBBL00\*01

Optional

No. of Contacts	Dimensions	
	A	B
2x2	3.00	8.30
2x3	6.00	9.80
2x4	9.00	12.80
2x5	12.00	15.80
2x6	15.00	18.80
2x7	18.00	21.80
2x8	21.00	24.80
2x9	24.00	27.80
2x10	27.00	30.80
2x11	30.00	33.80
2x12	33.00	36.80



P/N.:5H3000F0-1XXXBL00\*01

Optional

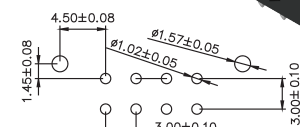
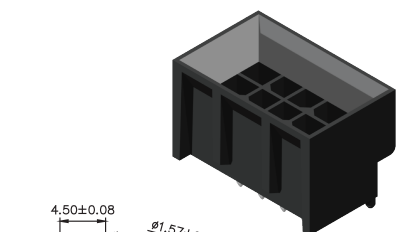
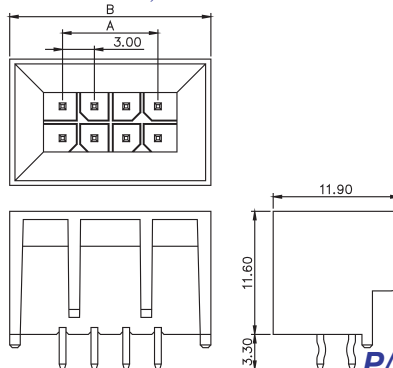
### Specifications

Current Rating: 5A AC, DC  
 Voltage Rating: 250V AC, DC  
 Temperature Range: -40°C to +105°C  
 Contact Resistance: 10mΩ Max  
 Withstanding Voltage: 1500V AC/minute

### Material

Insulator: LCP, UL 94V-0

No. of Contacts	Dimensions		No. of Contacts	Dimensions	
	A	B		A	B
2x02	3.00	13.00	2x08	21.00	31.00
2x03	6.00	16.00	2x09	24.00	34.00
2x04	9.00	19.00	2x10	27.00	37.00
2x05	12.00	22.00	2x11	30.00	40.00
2x06	15.00	25.00	2x12	33.00	43.00
2x07	18.00	28.00	---	---	---



Recommended PCB Layout  
 (PCB TOLERANCE  $\pm 0.05$ )

P/N.:5W3000S1-2XXXXBBU\*01

G0:Gold Flash SF:Selective 15u"  Optional

Housing Wafer Terminal

ROHS

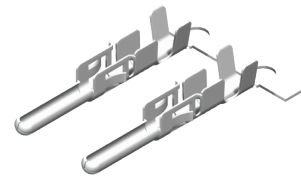
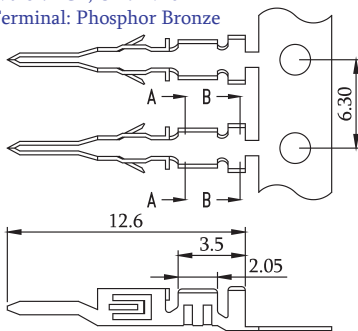
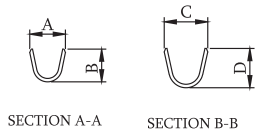
## 3.0mm 3000 Series Male Terminal / Female Housing / Wafer Straight Type

### Specifications

Current Rating: 5A AC, DC  
 Voltage Rating: 250V AC, DC  
 Temperature Range: -25°C to +85°C  
 Contact Resistance: 10mΩ Max  
 Insulation Resistance: 1000MΩ Min  
 Withstanding Voltage: 1500V AC/minute

### Material

Housing: Nylon 66, UL 94V-0  
 Wafer: LCP, UL 94V-0  
 Terminal: Phosphor Bronze

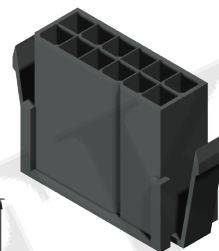
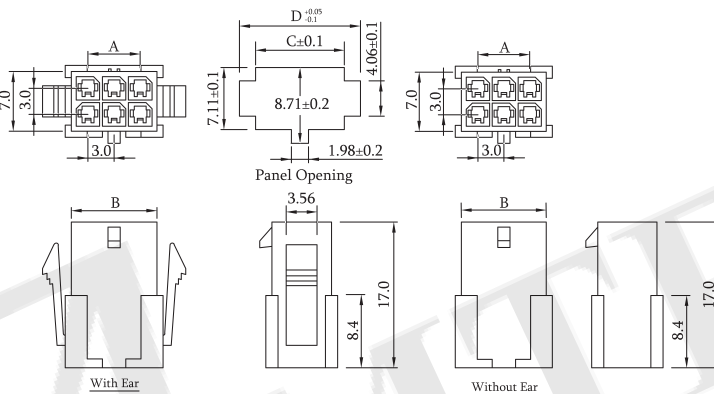


Part No.	Wire Range	Dimensions			
		A	B	C	D
5T3000M-PXXRC01	#20-#24	2.1	2.1	2.7	2.4
5T3000M-PXXRC02	#26-#30	1.8	1.6	2.4	1.9

**P/N.:5T3000M-PXXR\*XX**

G0:Gold Flash S0:Selective T0:Tin Plated  
 Optional See Table

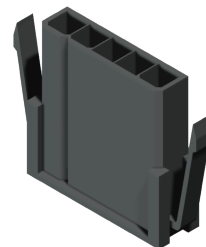
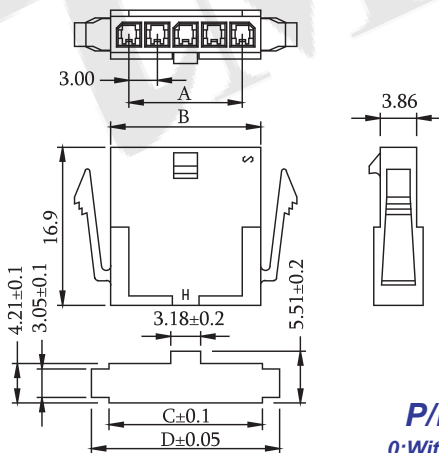
No. of Contacts	Dimensions			
	A	B	C	D
2x01	---	4.00	4.21	7.90
2x02	3.00	7.00	7.21	10.90
2x03	6.00	10.00	10.21	13.89
2x04	9.00	13.00	13.21	16.89
2x05	12.00	16.00	16.21	19.89
2x06	15.00	19.00	19.21	22.89
2x07	18.00	22.00	22.20	25.88
2x08	21.00	25.00	25.20	28.88
2x09	24.00	28.00	28.20	31.88
2x10	27.00	31.00	31.22	34.87
2x11	30.00	34.00	34.22	37.87
2x12	33.00	37.00	37.22	40.87



**P/N.:5H3000MX-2XXBBL00\*01**

0:With Ear 1:W/O Ear  
 Optional

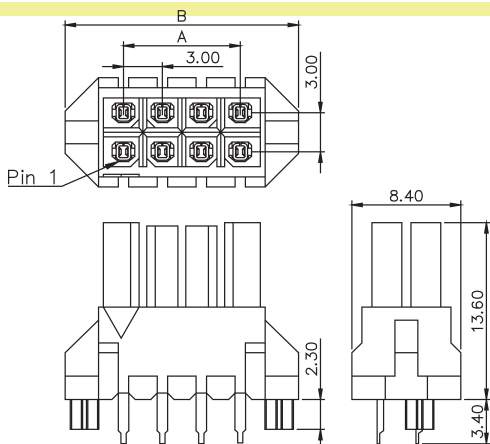
No. of Contacts	Dimensions			
	A	B	C	D
02	3.0±0.08	6.85	7.21	10.90
03	6.0±0.10	9.85	10.21	13.90
04	9.0±0.10	12.85	13.21	16.90
05	12.0±0.10	15.85	16.21	19.90
06	15.0±0.15	18.85	19.21	22.90
07	18.0±0.15	21.85	22.21	25.90
08	21.0±0.15	24.85	25.21	28.90
09	24.0±0.15	27.85	28.21	31.90
10	27.0±0.20	30.85	31.21	34.90
11	30.0±0.20	33.85	34.21	37.90
12	33.0±0.20	36.85	37.21	40.90



**P/N.:5H3000MX-1XXBBL00\*01**

0:With Ear 1:W/O Ear  
 Optional

No. of Contacts	Dimensions	
	A	B
2x02	3.00	12.00
2x03	6.00	15.00
2x04	9.00	18.00
2x05	12.00	21.00
2x06	15.00	24.00
2x07	18.00	27.00
2x08	21.00	30.00
2x09	24.00	33.00
2x10	27.00	36.00
2x11	30.00	39.00
2x12	33.00	42.00



Recommended PCB Layout  
 (PCB TOLERANCE ±0.05)

**P/N.:5W3000S2-2XXT0BBU\*01**

Optional



# CONNECTORS MANUFACTURER

Old P/N.:3000 Series

## 3.0mm 3000 Series Wafer SMT R/A Type 1 & 2 Row

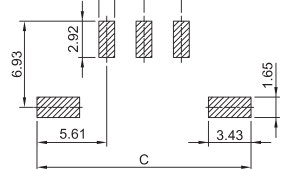
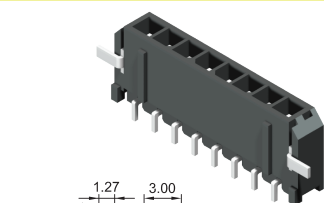
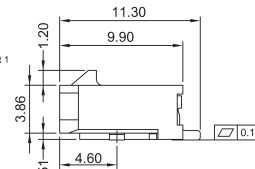
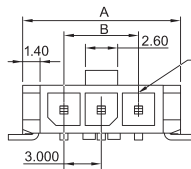
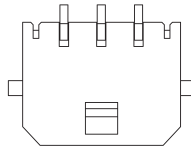
### Specifications

Current Rating: 5A AC, DC  
 Voltage Rating: 250V AC, DC  
 Contact Resistance: 10mΩ Max.  
 After environmental testing: 20mΩ Max.  
 Dielectric Voltage: 1500V AC for one minute  
 Insulation resistance: 1000mΩ Min.  
 Operation Temperature: -25°C to +85°C

### Material

Contact Pin: Brass  
 Insulator: LCP, UL 94V-0

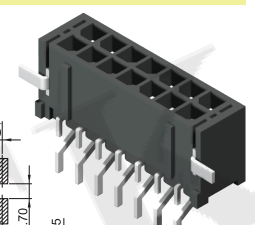
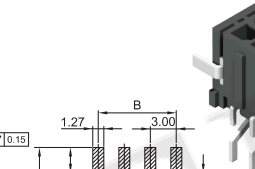
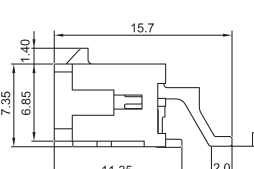
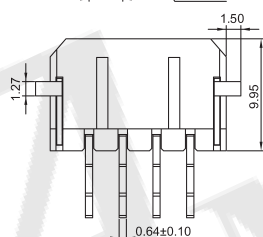
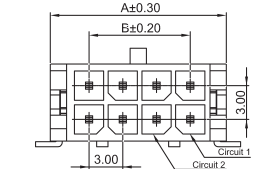
No. of Contacts		Dimensions		
		A	B	C
---	2x1	6.65	---	---
02	2x2	9.65	3.00	14.20
03	2x3	12.65	6.00	17.20
04	2x4	15.65	9.00	20.20
05	2x5	18.65	12.00	23.20
06	2x6	21.65	15.00	26.20
07	2x7	24.65	18.00	29.20
08	2x8	27.65	21.00	32.20
09	2x9	30.65	24.00	35.20
10	2x10	33.65	27.00	38.20
11	2x11	36.65	30.00	41.20
12	2x12	39.65	33.00	44.20



Recommended PCB Layout (PCB TOLERANCE ±0.05)

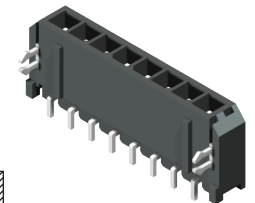
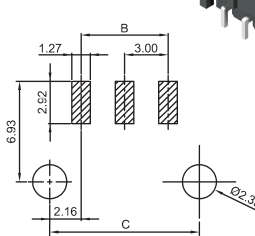
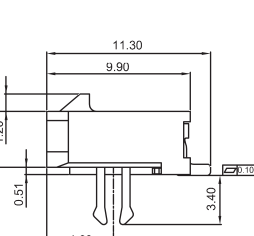
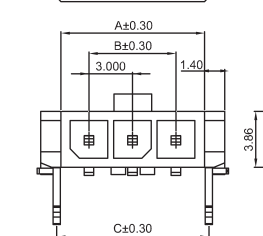
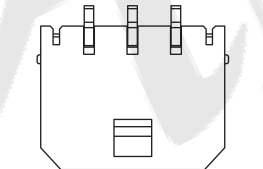
P/N.:5W3000H0-1XXT0XHU\*01  
 B:Black W:White  
 Optional

No. of Contacts		Dimensions		
		A	B	C
02		6.85	3.00	7.30
03		9.85	6.00	10.30
04		12.85	9.00	13.30
05		15.85	12.00	16.30
06		18.85	15.00	19.30
07		21.85	18.00	22.30
08		24.85	21.00	25.30
09		27.85	24.00	28.30
10		30.85	27.00	31.30
11		33.85	30.00	34.30
12		36.85	33.00	37.30



Recommended PCB Layout (PCB TOLERANCE ±0.05)

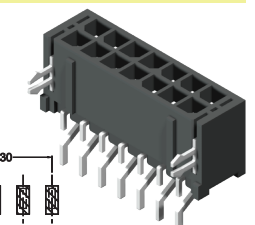
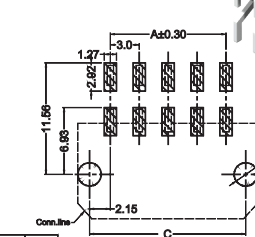
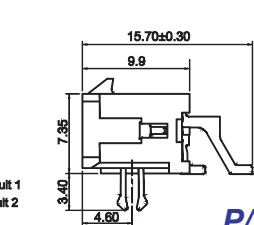
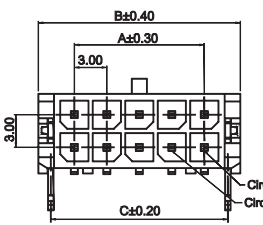
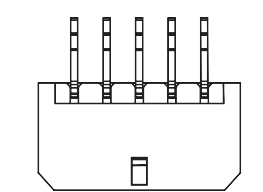
P/N.:5W3000H0-2XXT0XHU\*01  
 B:Black W:White  
 Optional



Recommended PCB Layout (PCB TOLERANCE ±0.05)

P/N.:5W3000H1-1XXT0BHU\*01  
 Optional

No. of Contacts		Dimensions		
		A	B	C
2x1		---	6.65	4.30
2x2		3.00	9.65	7.30
2x3		6.00	12.65	10.30
2x4		9.00	15.65	13.30
2x5		12.00	18.65	16.30
2x6		15.00	21.65	19.30
2x7		18.00	24.65	22.30
2x8		21.00	27.65	25.30
2x9		24.00	30.65	28.30
2x10		27.00	33.65	31.30
2x11		30.00	36.65	34.30
2x12		33.00	39.65	37.30



Recommended PCB Layout (PCB TOLERANCE ±0.05)

P/N.:5W3000H1-2XXT0BHU\*01  
 Optional

Housing Wafer Terminal

ROHS

## 3.0mm 3000 Series Wafer SMT Type 1 & 2 Row

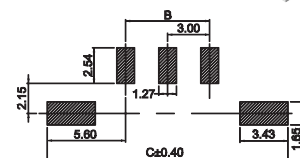
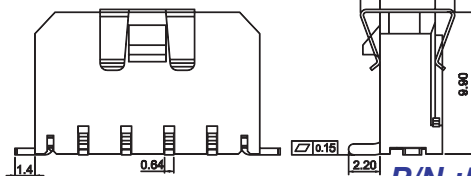
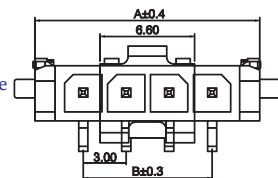
### Specifications

Current Rating: 5A AC, DC  
 Voltage Rating: 250V AC, DC  
 Temperature Range: -25°C to +105°C  
 Contact Resistance: 10mΩ Max  
 Insulation Resistance: 1000MΩ Min  
 Withstanding Voltage: 1500V AC/minute

### Material

Wafer: LCP, UL94V-0  
 Terminal: Brass / Tin Plated

No. of Contacts	Dimensions		
	A	B	C
02	6.85	3.00	7.30
03	9.85	6.00	10.30
04	12.85	9.00	13.30
05	15.85	12.00	16.30
06	18.85	15.00	19.30
07	21.85	18.00	22.30
08	24.85	21.00	25.30
09	27.85	24.00	28.30
10	30.85	27.00	31.30
11	33.85	30.00	34.30
12	36.85	33.00	37.30

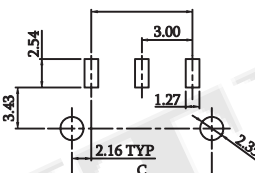
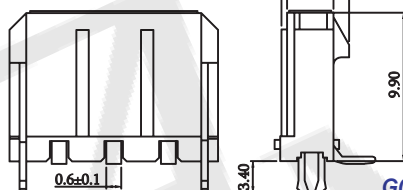
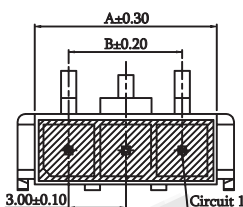


Recommended PCB Layout  
(PCB TOLERANCE ±0.05)

P/N.:5W3000G0-1XXXXBRU\*01

G0:Gold Flash T0:Tin Plated TM:Matte Tin Optional

No. of Contacts	Dimensions		
	A	B	C
02	9.70	3.00	14.20
03	12.70	6.00	17.20
04	15.70	9.00	20.20
05	18.70	12.00	23.20
06	21.70	15.00	26.20
07	24.70	18.00	29.20
08	27.70	21.00	32.20
09	30.70	24.00	35.20
10	33.70	27.00	38.20
11	36.70	30.00	41.20
12	39.70	33.00	44.20

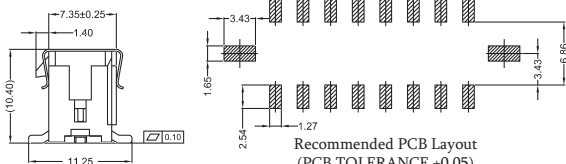
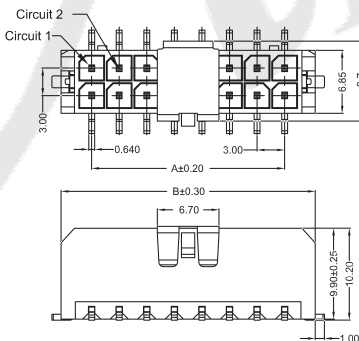


Recommended PCB Layout  
(PCB TOLERANCE ±0.05)

P/N.:5W3000G1-1XXXXBRU\*01

G0:Gold Flash T0:Tin Plated TM:Matte Tin Optional

No. of Contacts	Dimensions	
	A	B
2×01	---	6.65
2×02	3.00	9.65
2×03	6.00	12.65
2×04	9.00	15.65
2×05	12.00	18.65
2×06	15.00	21.65
2×07	18.00	24.65
2×08	21.00	27.65
2×09	24.00	30.65
2×10	27.00	33.65
2×11	30.00	36.65
2×11	33.00	39.65

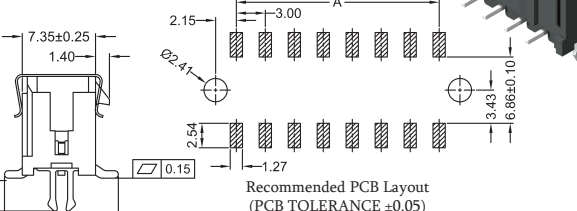
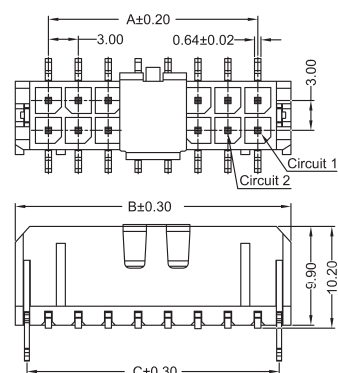


Recommended PCB Layout  
(PCB TOLERANCE ±0.05)

P/N.:5W3000G0-2XXT0BRU\*01

Optional

No. of Contacts	Dimensions		
	A	B	C
2×01	---	6.65	4.30
2×02	3.00	9.65	7.30
2×03	6.00	12.65	10.30
2×04	9.00	15.65	13.30
2×05	12.00	18.65	16.30
2×06	15.00	21.65	19.30
2×07	18.00	24.65	22.30
2×08	21.00	27.65	25.30
2×09	24.00	30.65	28.30
2×10	27.00	33.65	31.30
2×11	30.00	36.65	34.30
2×11	33.00	39.65	37.30



Recommended PCB Layout  
(PCB TOLERANCE ±0.05)

P/N.:5W3000G1-2XXXXBRU\*01

G0:Gold Flash T0:Tin Plated Optional



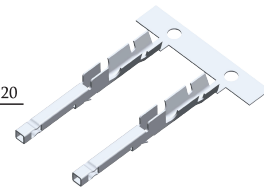
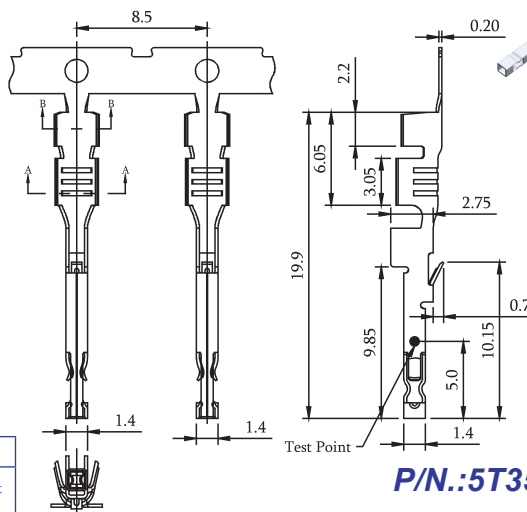
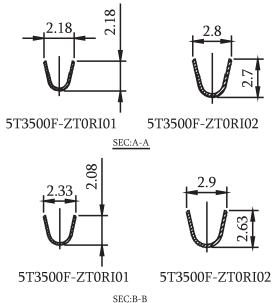
## 3.5mm 3500 Series Female Terminal / Housing

### Specifications

Operation Temperature: -40°C to +105°C  
 Insulation Resistance: 1000MΩ Min.  
 Dielectric Voltage: 1800V AC for one minute

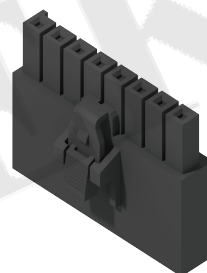
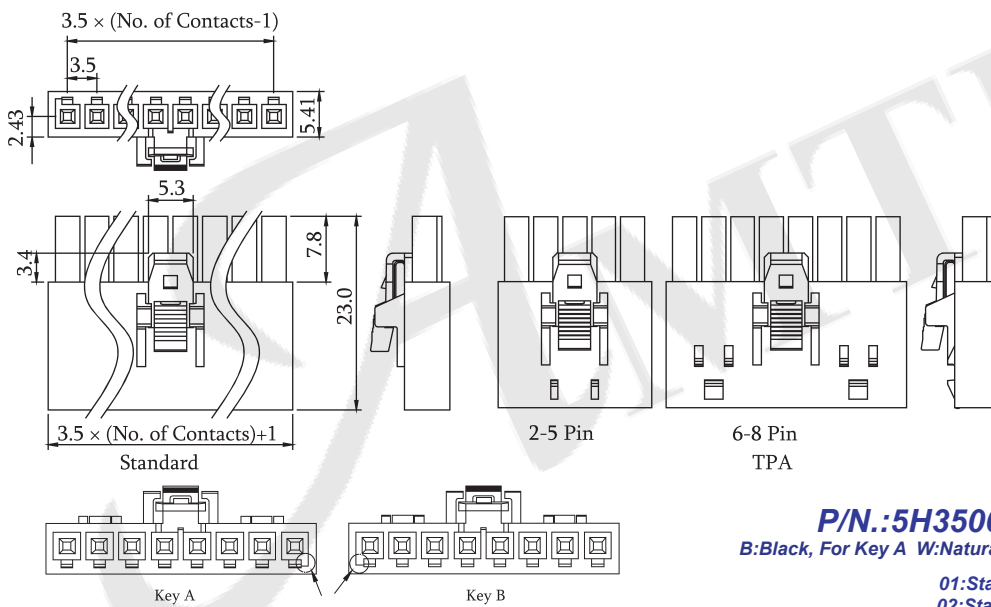
### Material

Housing: Nylon 4T, UL 94V-0  
 Terminal: Brass / Tin Plated

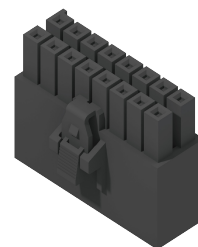
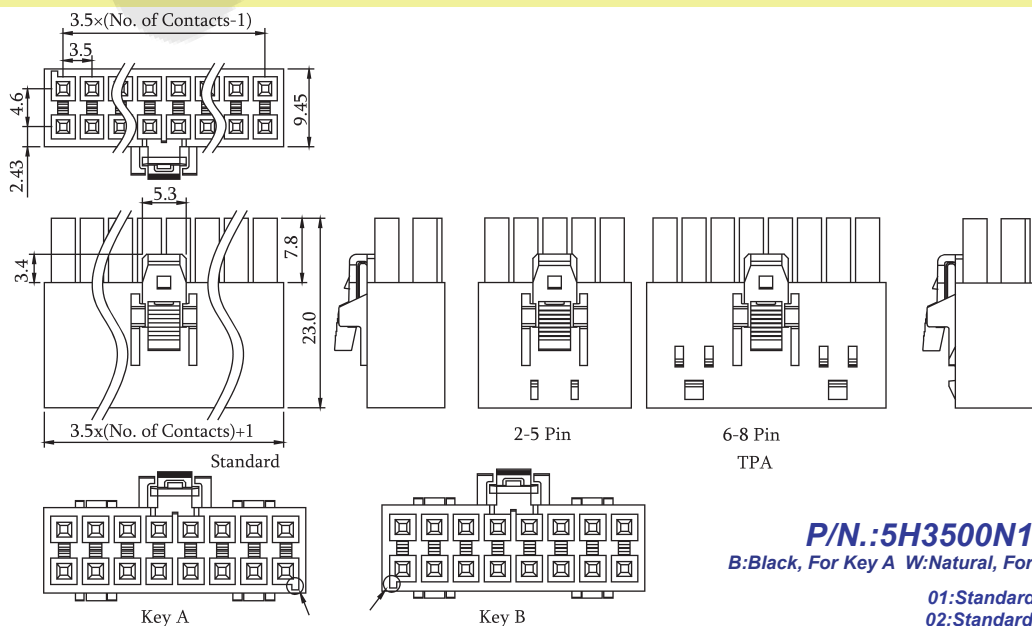


Part No.	Wire Range	Insulation O.D.	Material
5T3500F-ZTOR101	AWG#20-#22	Ø1.8-2.6mm	High Conductivity Copper Alloy
5T3500F-ZTOR102	AWG#16-#18		

**P/N.:5T3500F-ZTOR\*XX**  
 Optional See Table



**P/N.:5H3500N1-1XXXBU00\*XX**  
 B:Black, For Key A W:Natural, For Key B  
 01:Standard, Key A 03:TPA, Key A  
 02:Standard, Key B 04:TPA, Key B



**P/N.:5H3500N1-2XXXBU00\*XX**  
 B:Black, For Key A W:Natural, For Key B  
 01:Standard, Key A 03:TPA, Key A  
 02:Standard, Key B 04:TPA, Key B

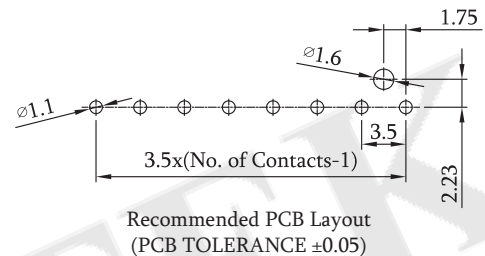
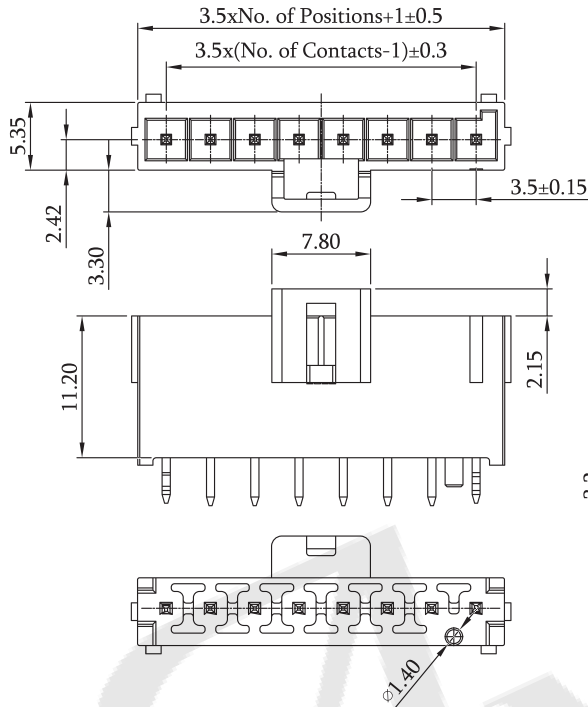
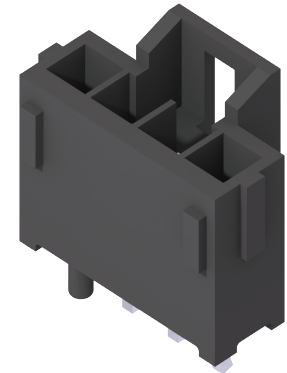
## 3.5mm 3500 Series Wafer Straight Type

### Specifications

Contact Resistance: 10mΩ Max.  
 Operation Temperature: -40°C to +105°C  
 Dielectric Voltage: 1800V AC for one minute  
 Current Rating: 14 AMP at #16 AWG for 2 poles  
 8 AMP at #16 AWG for other poles  
 Voltage Rating: 400V AC(RMS) or 400V DC Max

### Material

Insulator: LCP, UL 94V-0  
 Pin material: High conductivity copper alloy



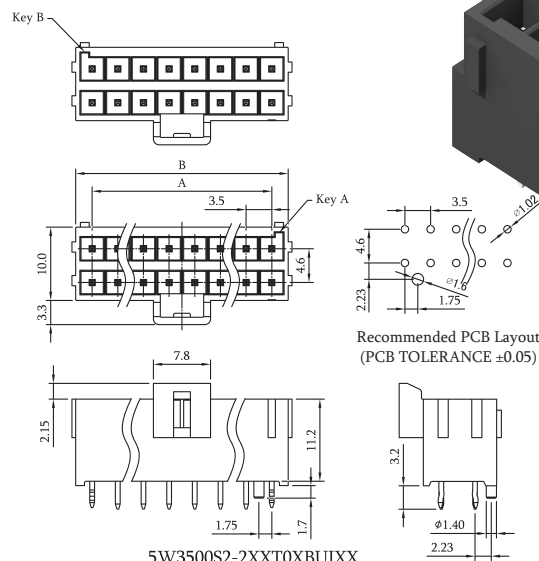
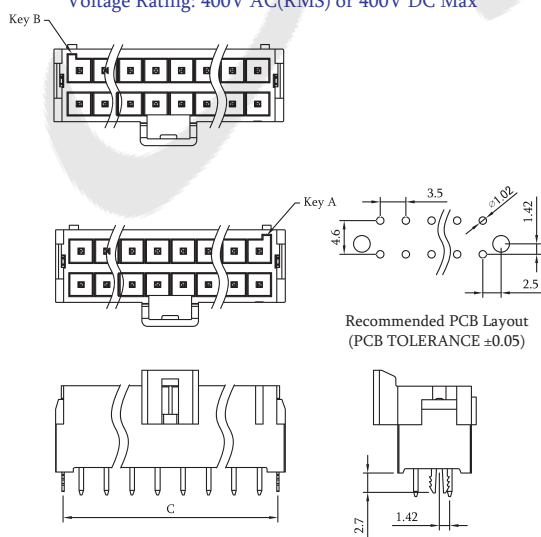
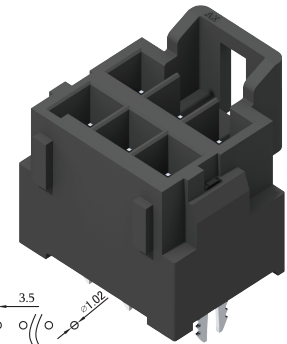
P/N.:5W3500S1-1XXT0BBU\*01  
 Optional

### Specifications

Current Rating: 8 AMP  
 Contact Resistance: 10mΩ Max.  
 Dielectric Voltage: 1800V AC for one minute  
 Operation Temperature: -40°C to +105°C  
 Voltage Rating: 400V AC(RMS) or 400V DC Max

### Material

Insulator: LCP, UL 94V-0  
 Pin material: High conductivity copper alloy



5W3500S1-2XXT0XBUIXX

5W3500S2-2XXT0XBUIXX

No. of Contacts	Dimensions			No. of Contacts	Dimensions		
	A	B	C		A	B	C
2x2	3.5	10.6	8.5	2x6	17.5	24.6	22.5
2x3	7.0	14.1	12.0	2x7	21.0	28.1	26.0
2x4	10.5	17.6	15.5	2x8	24.5	31.6	29.5
2x5	14.0	21.1	19.0	---	---	---	---

Drawing

Part No.	Type	Color
5W3500SX-2XXT0BBUI01	Key A	Black
5W3500SX-2XXT0WBUI02	Key B	Natural

P/N.:5W3500SX-2XXT0XBUI\*XX

1:W/O Boardlock 2:With Boardlock See Drawing Optional

Housing Wafer Terminal

ROHS

Old P/N.:3960 Series  
3961 Series

## 3.96mm 3960 Series Housing IDC Type & Cover

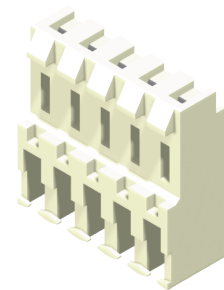
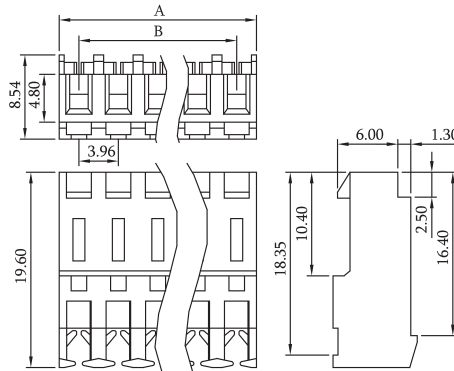
### Specifications

Current Rating: 7A AC, DC  
Voltage Rating: 250V AC, DC  
Temperature Range: -25°C to +85°C  
Contact Resistance: 10mΩ Max  
Insulation Resistance: 1000MΩ Min  
Withstanding Voltage: 1500V AC/minute

### Material

Housing/Wafer: Nylon 66, UL 94V-2  
Terminal: Brass / Tin or Gold Plated

No. of Contacts	Dimensions		No. of Contacts	Dimensions	
	A	B		A	B
02	7.92	3.96	14	55.44	51.48
03	11.88	7.92	15	59.40	55.44
04	15.84	11.88	16	63.36	59.40
05	19.80	15.84	17	67.32	63.36
06	23.76	19.80	18	71.28	67.32
07	27.72	23.76	19	75.24	71.28
08	31.68	27.72	20	79.20	75.24
09	35.64	31.68	21	83.16	79.20
10	39.60	35.64	22	87.12	83.16
11	43.56	39.60	23	91.08	87.12
12	47.52	43.56	24	95.04	91.08
13	51.48	47.52	25	99.00	95.04

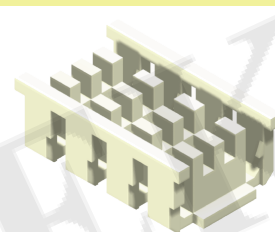
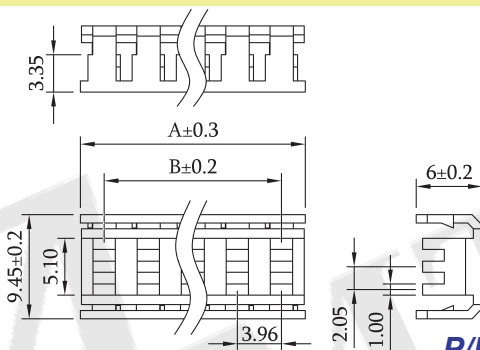


P/N.:5W3960DX-1XXXXTBL\*01

A:18 AWG B:20 AWG C:22 AWG D:24 AWG E:26 AWG  Optional

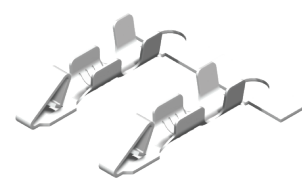
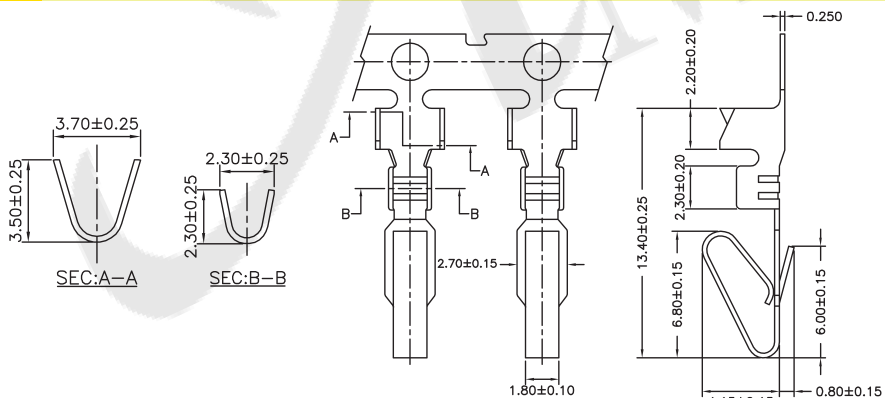
T0: Tin Plated G0: Gold Flash SA: Selective 5u" SB: Selective 10u" SF: Selective 15u" SD: Selective 30u"

No. of Contacts	Dimensions		No. of Contacts	Dimensions	
	A	B		A	B
02	7.92	3.96	14	55.44	51.48
03	11.88	7.92	15	59.40	55.44
04	15.84	11.88	16	63.36	59.40
05	19.80	15.84	17	67.32	63.36
06	23.76	19.80	18	71.28	67.32
07	27.72	23.76	19	75.24	71.28
08	31.68	27.72	20	79.20	75.24
09	35.64	31.68	21	83.16	79.20
10	39.60	35.64	22	87.12	83.16
11	43.56	39.60	23	91.08	87.12
12	47.52	43.56	24	95.04	91.08
13	51.48	47.52	25	99.00	95.04



P/N.:5H3960D0-1XXWBL00\*01  
Optional

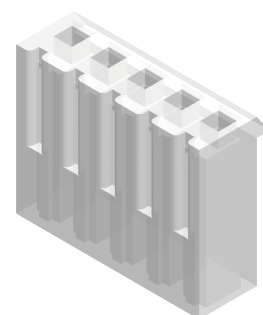
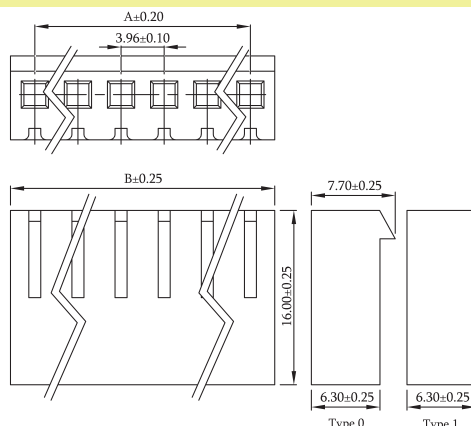
## 3.96mm 3961 Series Terminal / Housing



Wire Range	Insulation O.D.	Material
#18-#24	2.80mm(Max)	Brass

P/N.:5T3961N-BXXR\*01  
G0: Gold Flash GF: Au 15u" T0: Tin Plated  Optional

No. of Contacts	Dimensions		No. of Contacts	Dimensions	
	A	B		A	B
02	3.96	8.43	12	43.56	48.03
03	7.92	12.39	13	47.52	51.99
04	11.88	16.35	14	51.48	55.95
05	15.84	20.31	15	55.44	59.91
06	19.80	24.27	16	59.40	63.87
07	23.76	28.23	17	63.36	67.83
08	27.72	32.19	18	67.32	71.79
09	31.68	36.15	19	71.28	75.75
10	35.64	40.11	20	75.24	79.71
11	39.60	44.07	---	---	---



P/N.:5H3961NX-1XXWBL00\*01  
0: Type 0 1: Type 1  Optional

# CONNECTORS MANUFACTURER

Old P/N.:3961 Series

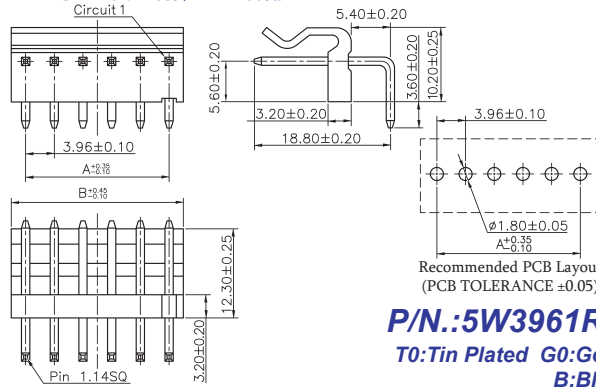
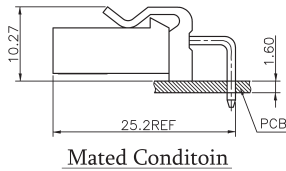
## 3.96mm 3961 Series Wafer Right Angle / Straight Type

### Specifications

Current Rating: 7A AC, DC  
 Voltage Rating: 250V AC, DC  
 Temperature Range: -25°C to +85°C  
 Contact Resistance: 10mΩ Max  
 Insulation Resistance: 1000MΩ Min  
 Withstanding Voltage: 1500V AC/minute

### Material

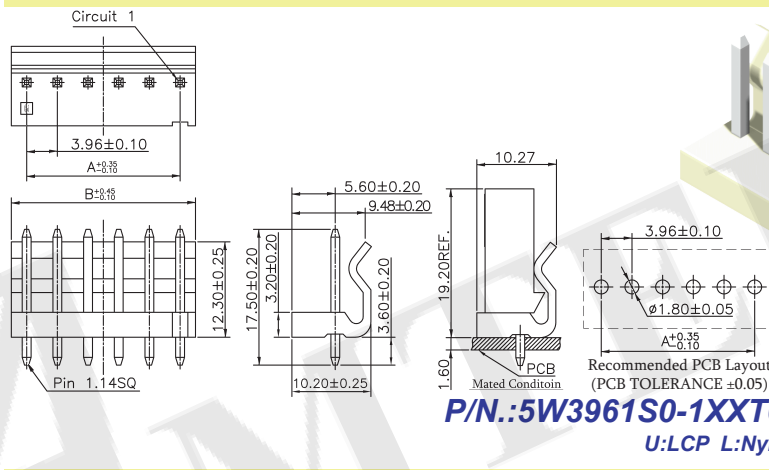
Wafer: Nylon 66, UL 94V-2  
 Terminal: Brass / Tin Plated



**P/N.:5W3961R0-1XXXXXBL\*01**

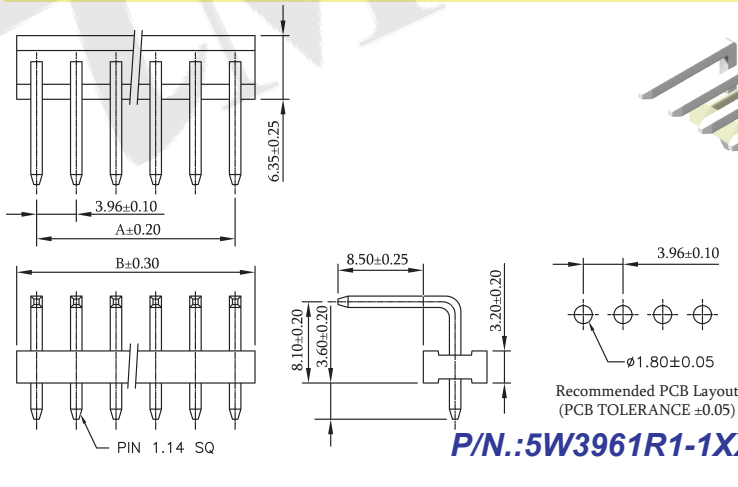
T0: Tin Plated G0: Gold Flash  
 B: Black W: White Optional

No. of Contacts	Dimensions	
	A	B
02	3.96	7.92
03	7.92	11.88
04	11.88	15.84
05	15.84	19.80
06	19.80	23.76
07	23.76	27.72
08	27.72	31.68
09	31.68	35.64
10	35.64	39.60
11	39.60	43.56
12	43.56	47.52
13	47.52	51.48
14	51.48	55.44
15	55.44	59.40
16	59.40	63.36
17	63.36	67.32
18	67.32	71.28
19	71.28	75.24
20	75.24	79.20



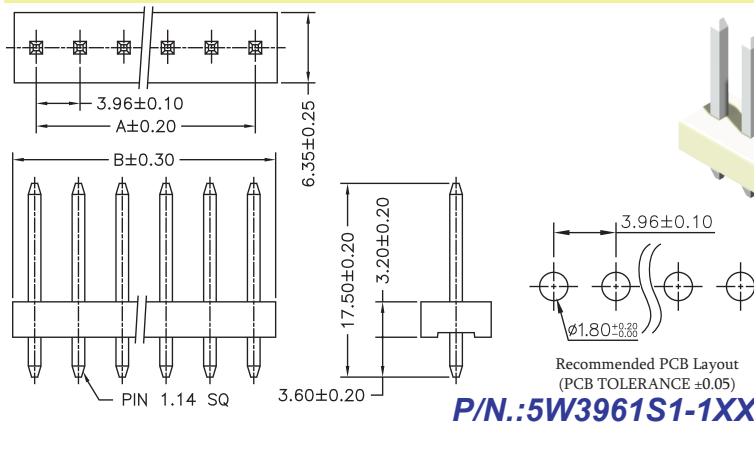
**P/N.:5W3961S0-1XXT0WBX\*01**

U: LCP L: Nylon 66  
 Optional



**P/N.:5W3961R1-1XXT0WBL\*01**

Optional



**P/N.:5W3961S1-1XXT0WBL\*01**

Optional

Housing Wafer Terminal

ROHS

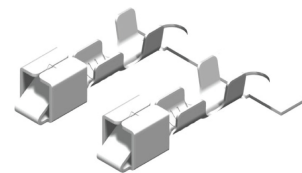
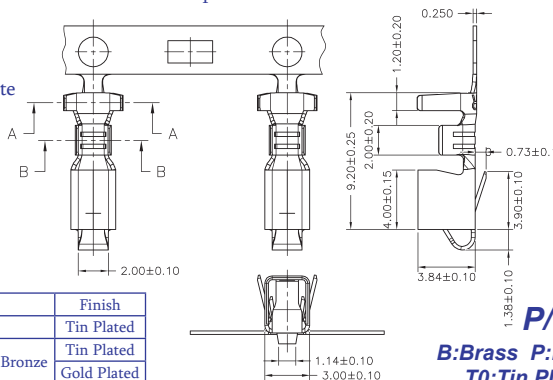
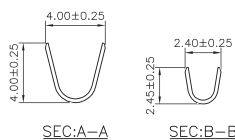
## 3.96mm 3962 Series Terminal / Housing / Wafer Right Angle & Straight Type

### Specifications

Current Rating: 3A AC, DC  
 Voltage Rating: 250V AC, DC  
 Temperature Range: -25°C to +85°C  
 Contact Resistance: 10mΩ Max  
 Insulation Resistance: 1000MΩ Min  
 Withstanding Voltage: 800V AC/minute

### Material

Housing: Nylon 66, UL 94V-0  
 Terminal: Phosphor Bronze / Tin or Gold Plated

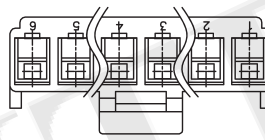
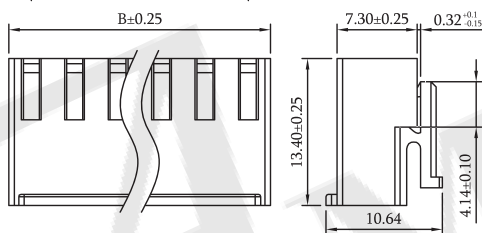
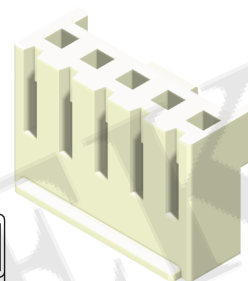
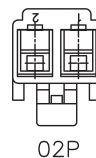
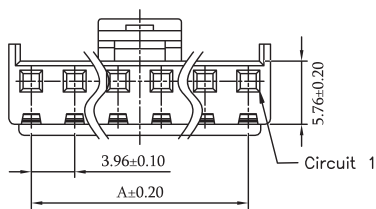


Part No.	Wire Range	Insulation O.D.	Material	Finish
5T3962N-BT0	#18-#22	3.00mm(Max)	Brass	Tin Plated
5T3962N-PT0			Phosphor Bronze	Tin Plated
5T3962N-PG0			Phosphor Bronze	Gold Plated

P/N.:5T3962N-XXXX\*01

B:Brass P:Phosphor Bronze T: Tin Plated  
 T0: Tin Plated G0: Gold Flash Optional

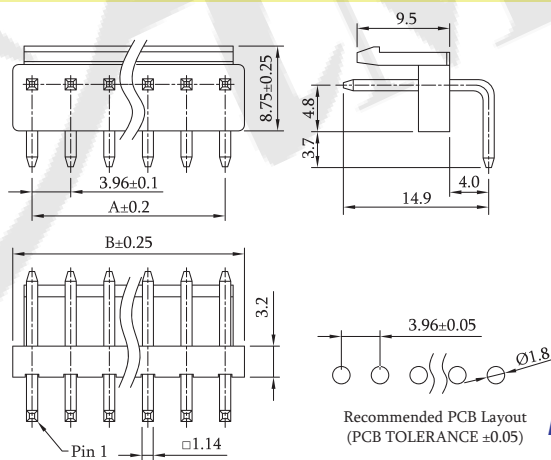
No. of Contacts	Dimensions	
	A	B
02	3.96	8.02
03	7.92	11.98
04	11.88	15.94
05	15.84	19.90
06	19.80	23.86
07	23.76	27.82
08	27.72	31.78
09	31.68	35.74
10	35.64	39.70
11	39.60	43.66
12	43.56	47.62
13	47.52	51.58
14	51.48	55.54
15	55.44	59.50



P/N.:5H3962N0-1XXXXBL00\*01

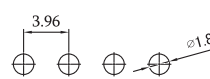
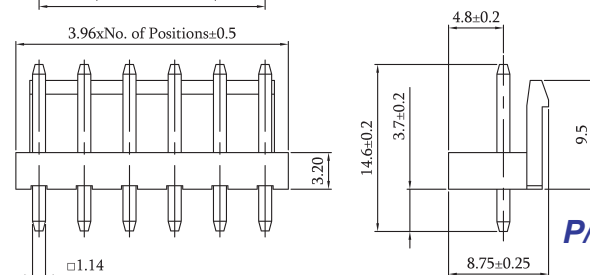
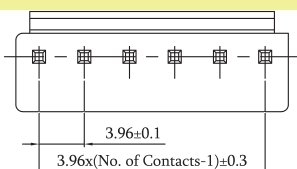
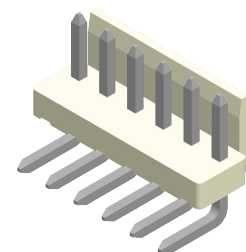
R:Red W:Natural B:Black Optional

No. of Contacts	Dimensions	
	A	B
02	3.96	7.92
03	7.92	11.88
04	11.88	15.84
05	15.84	19.80
06	19.80	23.76
07	23.76	27.72
08	27.72	31.68
09	31.68	35.64
10	35.64	39.60
11	39.60	43.56
12	43.56	47.52
13	47.52	51.48
14	51.48	55.44
15	55.44	59.40



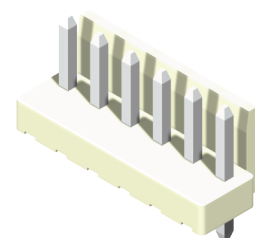
P/N.:5W3962R0-1XXT0XBL\*01

R:Red W:Natural Optional



P/N.:5W3962S0-1XXT0XBL\*01

R:Red W:Natural Optional





# CONNECTORS MANUFACTURER

Old P/N.:3963 Series

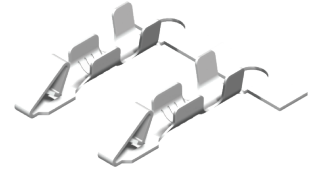
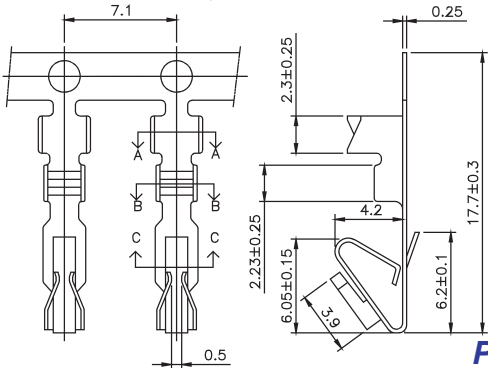
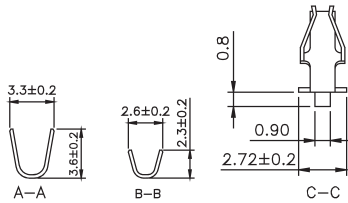
## 3.96mm 3963 Series Terminal / Housing / Wafer Straight Type

### Specifications

Current Rating: 4A AC, DC  
 Voltage Rating: 250V AC, DC  
 Temperature Range: -25°C to +85°C  
 Contact Resistance: 10mΩ Max  
 Insulation Resistance: 500MΩ Min  
 Withstanding Voltage: 1500V AC/minute

### Material

Housing / Wafer: Nylon 66, UL 94V-2  
 Terminal: Copper Alloy / Tin Plated

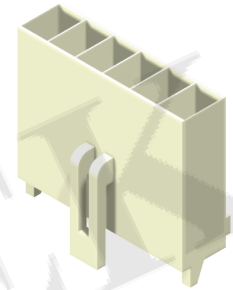
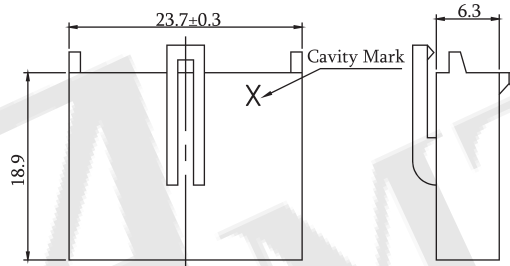
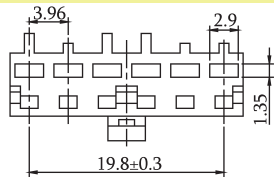


Wire Range	Material	Finish
#18-#24	Brass	Tin Plated

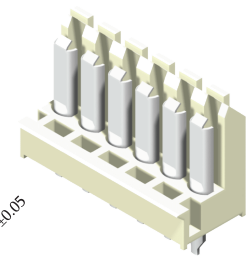
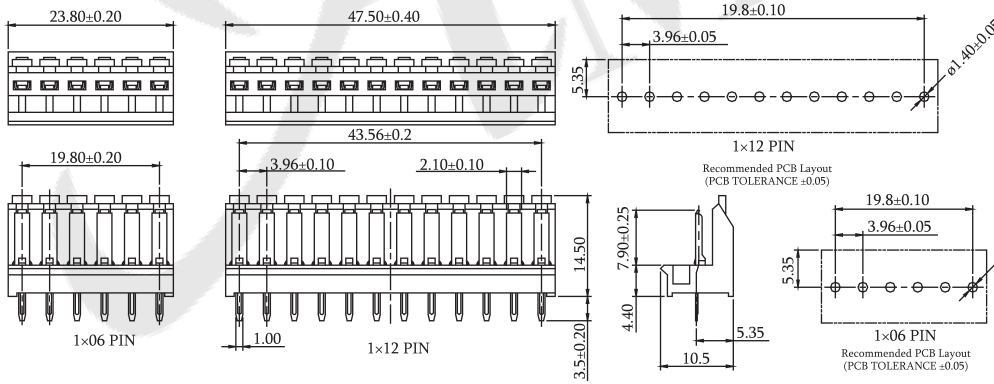
P/N.:5T3963N-BT0R\*01  
 Optional

Housing Wafer Terminal

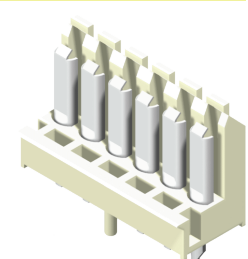
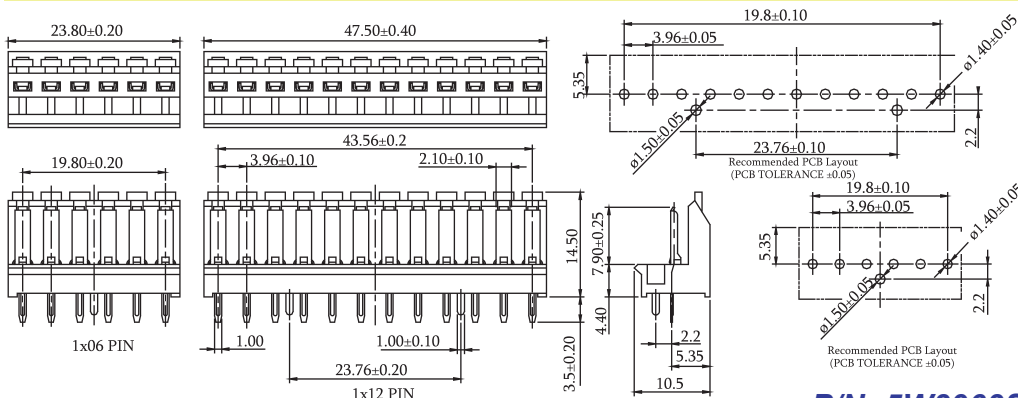
ROHS



P/N.:5H3963N0-106WBL00\*01  
 Optional



P/N.:5W3963S0-1XXT0WAL\*01  
 Optional



P/N.:5W3963S1-1XXT0WAL\*01  
 Optional

## 3.96mm 3964 Series Wafer Right Angle & Straight Type

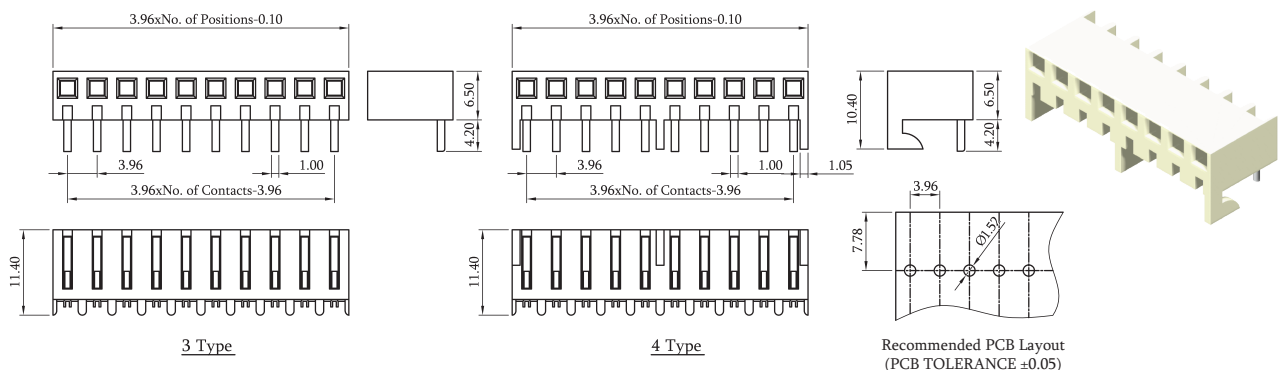
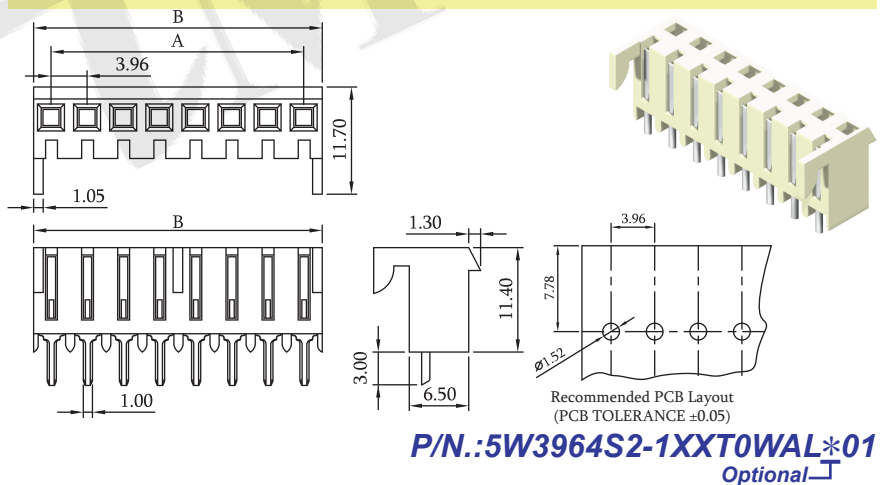
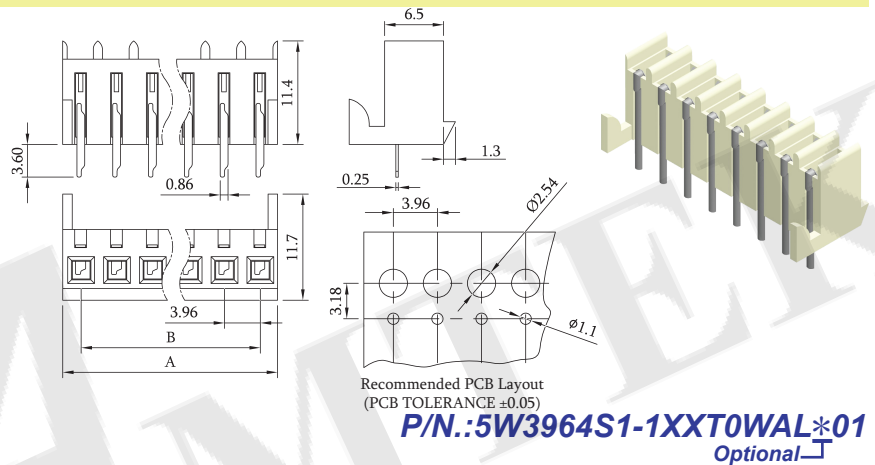
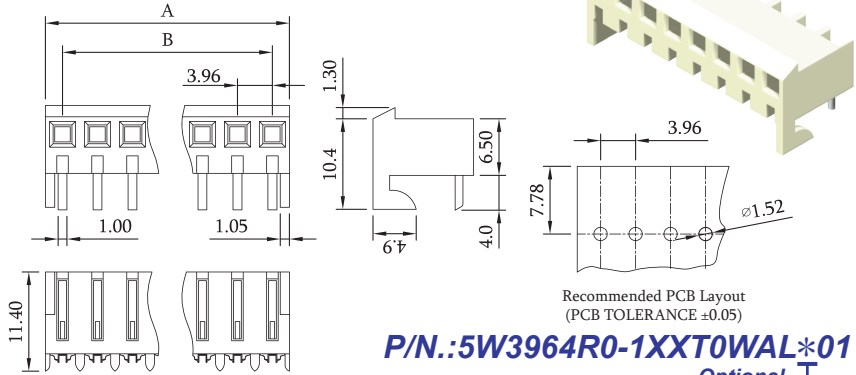
### Specifications

Current Rating: 7A AC, DC  
 Voltage Rating: 250V AC, DC  
 Temperature Range: -25°C to +85°C  
 Contact Resistance: 10mΩ Max  
 Insulation Resistance: 1000MΩ Min  
 Withstanding Voltage: 1500V AC/minute

### Material

Wafer: Nylon 66, UL 94V-2  
 Terminal: Copper Alloy / Tin Plated

No. of Contacts	Dimensions	
	A	B
02	7.82	3.96
03	11.78	7.92
04	15.74	11.88
05	19.70	15.84
06	23.66	19.80
07	27.62	23.76
08	31.58	27.72
09	35.54	31.68
10	39.50	35.64
11	43.46	39.60
12	47.42	43.56
13	51.38	47.52
14	55.34	51.48
15	59.30	55.44
16	63.26	59.40
17	67.22	63.36
18	71.18	67.32
19	75.14	71.28
20	79.10	75.24
24	94.94	91.08
25	98.90	95.04



# CONNECTORS MANUFACTURER

Old P/N.: 3965 Series  
3966 Series

## 3.96mm 3965 Series Wafer Right Angle & Straight Type

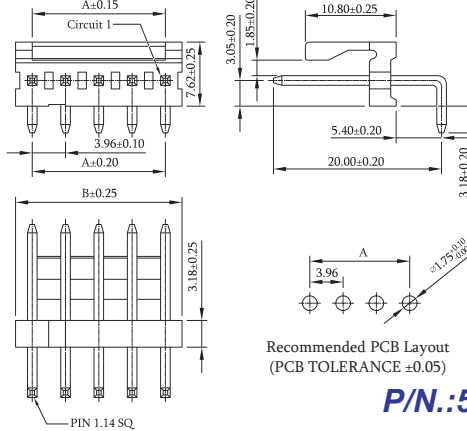
### Specifications

Current Rating: 7A AC, DC  
Voltage Rating: 600V AC, DC  
Temperature Range: -25°C to +85°C  
Contact Resistance: 3mΩ Max  
Insulation Resistance: 5000MΩ Min  
Withstanding Voltage: 2200V AC/minute

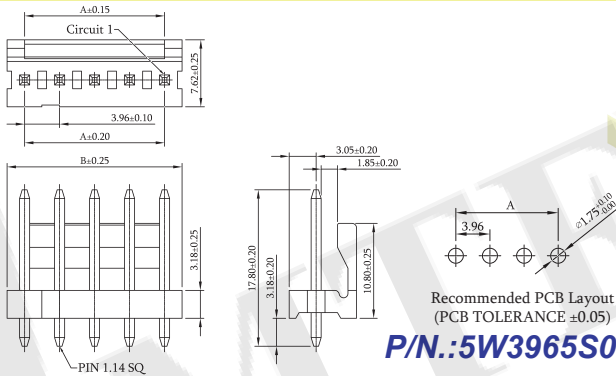
### Material

Wafer: Nylon 66, UL 94V-0  
Terminal: Brass / Tin Plated

No. of Contacts	Dimensions	
	A	B
02	3.96	7.92
03	7.92	11.88
04	11.88	15.84
05	15.84	19.80
06	19.80	23.76
07	23.76	27.72
08	27.72	31.68
09	31.68	35.64
10	35.64	39.60
11	39.60	43.56
12	43.56	47.52
13	47.52	51.48
14	51.48	55.44
15	55.44	59.40
16	59.40	63.36
17	63.36	67.32
18	67.32	71.28
19	71.28	75.24
20	75.24	79.20



P/N.: 5W3965R0-1XXT0WBL\*01  
Optional



P/N.: 5W3965S0-1XXT0WBL\*01  
Optional

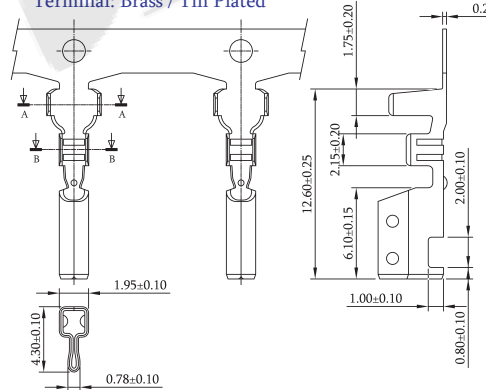
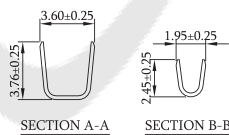
## 3.96mm 3966 Series Terminal / Housing

### Specifications

Current Rating: 7A AC, DC  
Voltage Rating: 250V AC, DC  
Temperature Range: -25°C to +85°C  
Contact Resistance: 10mΩ Max  
Insulation Resistance: 1000MΩ Min  
Withstanding Voltage: 1500V AC/minute

### Material

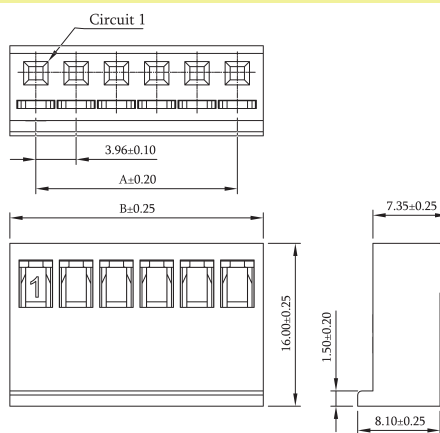
Housing: Nylon 66, UL 94V-2  
Terminal: Brass / Tin Plated



P/N.: 5T3966N-BT0R\*01  
Optional

Wire Range	Insulation O.D.	Material	Finish
#18-#24	3.20mm(Max)	Brass	Tin Plated

No. of Contacts	Dimensions	
	A	B
02	3.96	9.06
03	7.92	13.02
04	11.88	16.98
05	15.84	20.94
06	19.80	24.90
07	23.76	28.86
08	27.72	32.82
09	31.68	36.78
10	35.64	40.74
11	39.60	44.70
12	43.56	48.66



P/N.: 5H3966N0-1XXWBL00\*01  
Optional

Housing Wafer Terminal

ROHS