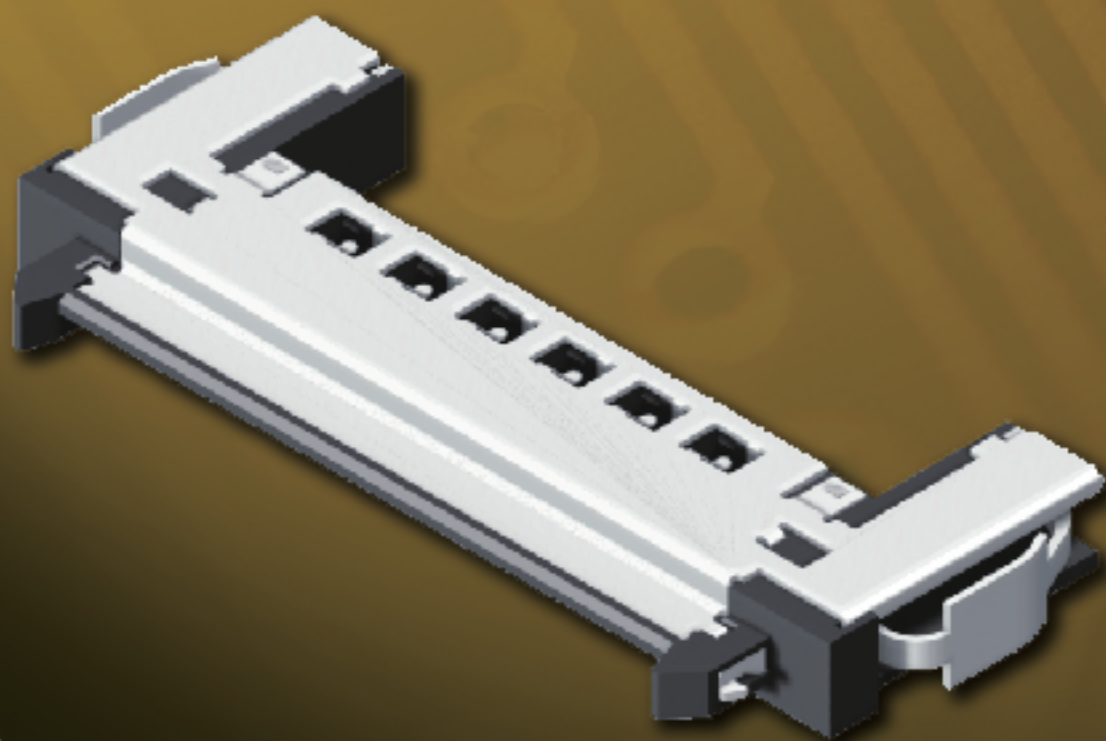


Board To Wire & Wire To Wire Connectors

- 3-1 • Housing Wafer Terminal 0.5mm
- 3-2 • Housing Wafer Terminal 0.8mm



AMTEK Technology Co., Ltd

CONNECTORS MANUFACTURER

Old P/N.:0505 Series

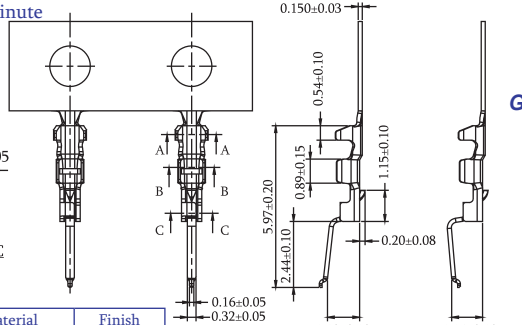
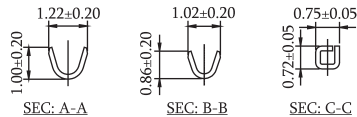
0.5mm 0505 Series Terminal / Housing / Wafer SMT R/A Type

Specifications

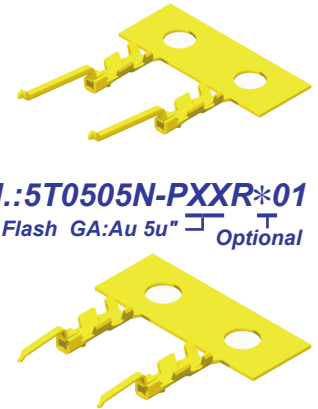
Current Rating: 0.7A AC, DC
 Voltage Rating: 100V AC, DC
 Temperature Range: -25°C to +85°C
 Contact Resistance: 50mΩ Max
 Insulation Resistance: 100MΩ Min
 Withstanding Voltage: 500V AC/minute

Material

Housing: Nylon 46, UL 94V-0
 Wafer: LCP, UL 94V-0
 Terminal: Phosphor Bronze / Gold Plated



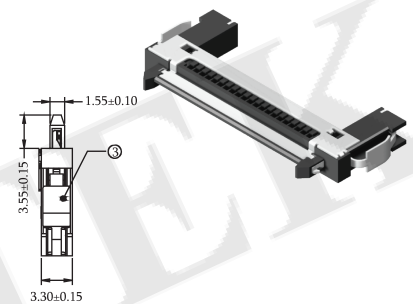
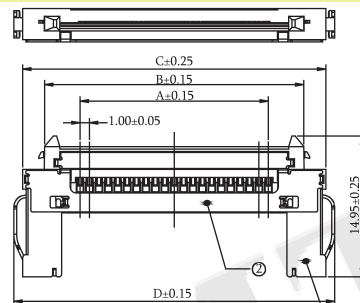
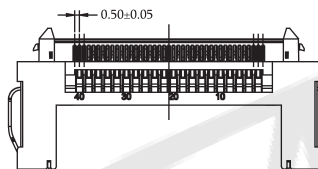
P/N.:5T0505N-PXXR*01
 G0:Gold Flash GA:Au 5u" Optional



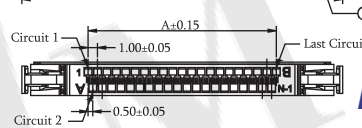
Part No.	Wire Range	Insulation O.D.	Material	Finish
5T0505N-01	#30 #36	0.75mm(Max)	Phosphor Bronze	Gold Plated
5T0505N-02				

P/N.:5T0505N-PXXR*02
 G0:Gold Flash GA:Au 5u" Optional

No.	Description	Material	Color
1	Insulator	Nylon 46, UL 94V-0	Natural(Black)
2	Ground Plate	Stainless	---
3	Lock Lever	Stainless	---

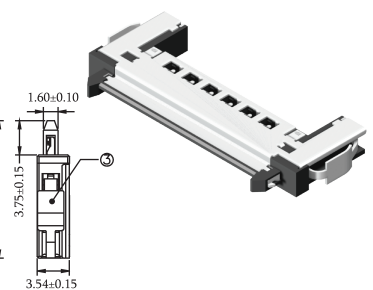
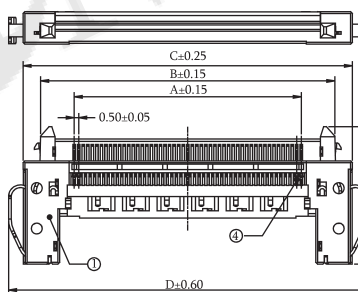
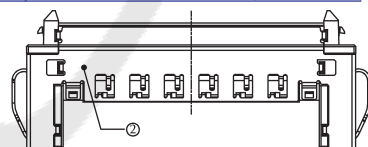


No. of Contacts	Dimensions			
	A	B	C	D
21	10.00	17.54	22.20	24.34
31	15.00	22.54	27.20	29.34
41	20.00	27.54	32.20	34.34
51	25.00	32.54	37.20	39.34



P/N.:5H0505N0-1XXBAU00*01
 Optional

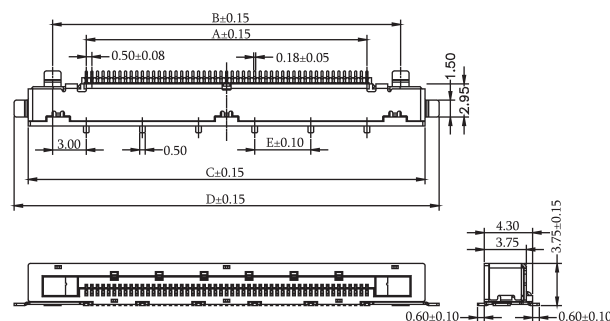
No.	Description	Material	Color
1	Insulator	LCP, UL 94V-0	Natural(Black)
2	Ground Plate	Copper Alloy / Tin Plated	---
3	Lock Lever	Stainless	---
4	Terminal	Copper Alloy / Gold plated on contact area ; Tin plated on solder area	---



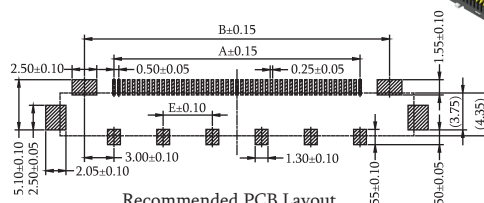
No. of Contacts	Dimensions			
	A	B	C	D
21	10.00	17.40	21.25	24.45
31	15.00	22.40	26.25	29.45
41	20.00	27.40	31.25	34.45
51	25.00	32.40	36.25	39.45



P/N.:5H0505N1-1XXBAU00*01
 Optional

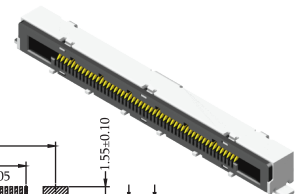


No. of Contacts	Dimensions				
	A	B	C	D	E
41	20.00	26.00	30.35	32.85	4.00
51	25.00	31.00	35.35	37.85	5.00



Recommended PCB Layout
 (PCB TOLERANCE ±0.05)

P/N.:5W0505H0-1XXG0BHU*01
 Optional



Housing Wafer Terminal

ROHS

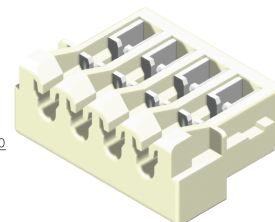
0.8mm 0800 Series Housing IDC / Wafer SMT & SMT R/A Type

Specifications

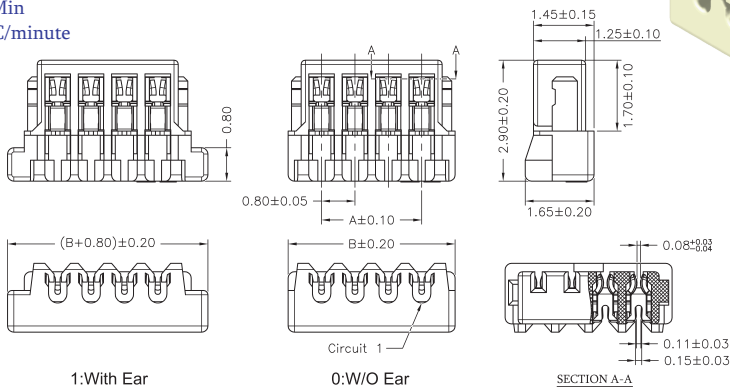
Current Rating: 0.5A AC, DC
 Voltage Rating: 30V AC, DC
 Temperature Range: -25°C to +85°C
 Contact Resistance: 20mΩ Max
 Insulation Resistance: 100MΩ Min
 Withstanding Voltage: 200V AC/minute

Material

Housing: Nylon 46, UL 94V-0
 Wafer: Nylon 6T, UL 94V-0
 Terminal: Phosphor Bronze / Tin or Gold Plated

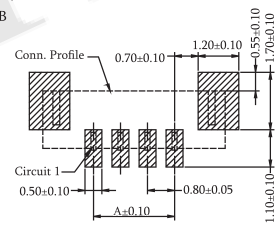
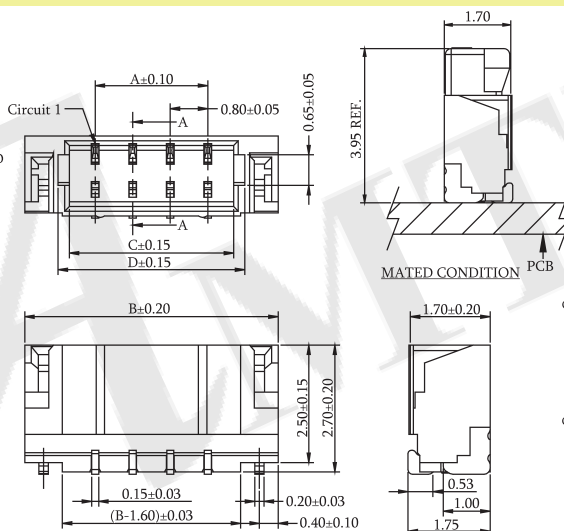
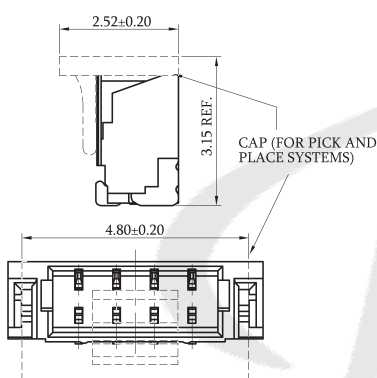


No. of Contacts	Dimensions	
	A	B
02	0.80	2.40
03	1.60	3.20
04	2.40	4.00
05	3.20	4.80
06	4.00	5.60
07	4.80	6.40
08	5.60	7.20
09	6.40	8.00
10	7.20	8.80
11	8.00	9.60
12	8.80	10.40
14	10.40	12.00
15	11.20	12.80
16	11.20	13.60
17	12.80	14.40
20	15.20	16.80



P/N.:5W0800DX-1XXXXWXU*01

1:With Ear
 0:W/O Ear
 T0: Tin Plated
 G0: Gold Flash
 Optional

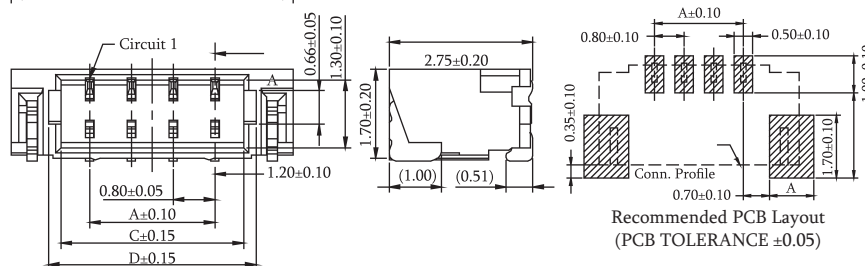
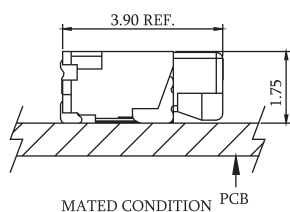
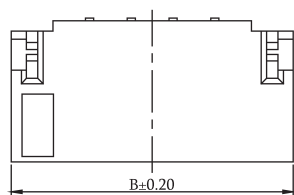


Recommended PCB Layout
 (PCB TOLERANCE ±0.05)

P/N.:5W0800G0-1XXXXWRU*0X

T0: Tin Plated
 G0: Gold Flash
 Optional
 1: NY6T
 2: LCP

No. of Contacts	Dimensions			
	A	B	C	D
02	0.80	3.80	1.90	2.38
03	1.60	4.60	2.70	3.18
04	2.40	5.40	3.50	3.98
05	3.20	6.20	4.30	4.78
06	4.00	7.00	5.10	5.58
07	4.80	7.80	5.90	6.38
08	5.60	8.60	6.70	7.18
10	7.20	10.20	8.30	8.78
12	8.80	11.80	9.90	10.38
14	10.40	13.40	11.50	11.98
15	11.20	14.20	12.30	12.78
16	12.00	15.00	13.10	13.58
17	12.80	15.80	13.90	14.38
20	15.20	18.20	16.30	16.78



P/N.:5W0800H0-1XXXXXHU*01

T0: Tin Plated
 G0: Gold Flash
 W: White
 B: Black
 Optional